



Chipsmall Limited consists of a professional team with an average of over 10 year of expertise in the distribution of electronic components. Based in Hongkong, we have already established firm and mutual-benefit business relationships with customers from,Europe,America and south Asia,supplying obsolete and hard-to-find components to meet their specific needs.

With the principle of "Quality Parts,Customers Priority,Honest Operation,and Considerate Service",our business mainly focus on the distribution of electronic components. Line cards we deal with include Microchip,ALPS,ROHM,Xilinx,Pulse,ON,Everlight and Freescale. Main products comprise IC,Modules,Potentiometer,IC Socket,Relay,Connector.Our parts cover such applications as commercial,industrial, and automotives areas.

We are looking forward to setting up business relationship with you and hope to provide you with the best service and solution. Let us make a better world for our industry!



## Contact us

Tel: +86-755-8981 8866 Fax: +86-755-8427 6832

Email & Skype: info@chipsmall.com Web: www.chipsmall.com

Address: A1208, Overseas Decoration Building, #122 Zhenhua RD., Futian, Shenzhen, China







## Series PB

### Technical specifications

Operating force	ca 300cN (with tactile feeling)
Contact resistance	0,1 $\Omega$ max
Insulating resistance	10 <sup>3</sup> M $\Omega$
Dielectric strength	500V~
Electrical rating (ohmic resistance)	0,1 A/50 V $\approx$
Max. current	0,5 A (not switchable)
Temperature	-20 to +80°C
Life cycle (mechanical)	10 <sup>6</sup> operations
Shock	50g, 11 ms
Vibration	15g, 10-2.000 Hz
Weight	ca. 2 g
<b>Materials:</b>	
Housing material	PPO (Noryl)
Contacts	High-quality gold alloy
Printed circuit board	FR3 PCB, copper-plated; Au over Nii
Mounting	Front-mounting, snap-in endcaps. Mounting of units through integrated pins.
Stops	setting through factory only
Terminal	Solder pins: 0,6x0,6 (spacing 2,54)

For detailed information and the layout of the details described above, please do not hesitate to ask for our technical specifications and drawing.

Switching position	Window cutout	Number height
10	B = 3 H = 4	3

### Features

- Selector switch, just 6 mm wide for compact construction of multiplemodule rows
- 10 switching positions
- Connection via solder pins

### Codes (2)

Switching position	Code	Readout	Truth table-no. (refer to description)	PCB terminal	Code
10	BCD	0-9	1	1	C
10	BCD-Complement	0-9	11	5	E
10	Single pole repeating	+/- alt.	4	2	P

### Terminals (3)

Terminals	Code
Solder pins	1

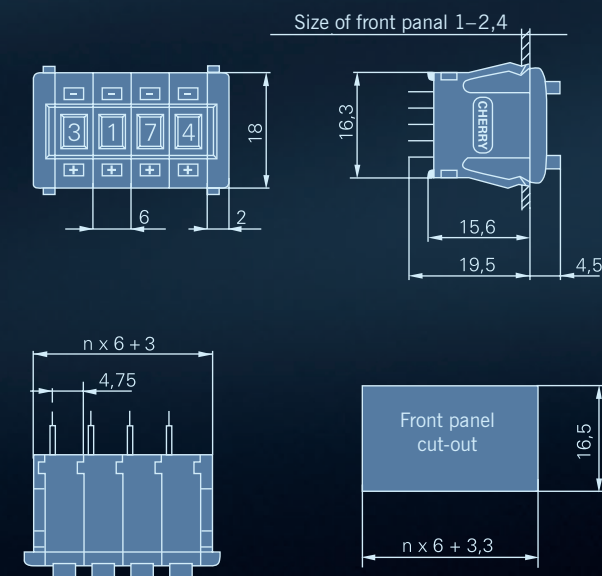
### Accessories

	Stock codes
Endcap left	609-1346
Endcap right	609-1347
Housing, 6 mm	609-1348

### PCB versions (4)

PCB version	Code
PCB flush with housing with solder pins	E

### Dimensions in mm



### PCB-Terminals

