



Chipsmall Limited consists of a professional team with an average of over 10 year of expertise in the distribution of electronic components. Based in Hongkong, we have already established firm and mutual-benefit business relationships with customers from,Europe,America and south Asia,supplying obsolete and hard-to-find components to meet their specific needs.

With the principle of "Quality Parts,Customers Priority,Honest Operation,and Considerate Service",our business mainly focus on the distribution of electronic components. Line cards we deal with include Microchip,ALPS,ROHM,Xilinx,Pulse,ON,Everlight and Freescale. Main products comprise IC,Modules,Potentiometer,IC Socket,Relay,Connector.Our parts cover such applications as commercial,industrial, and automotives areas.

We are looking forward to setting up business relationship with you and hope to provide you with the best service and solution. Let us make a better world for our industry!



Contact us

Tel: +86-755-8981 8866 Fax: +86-755-8427 6832

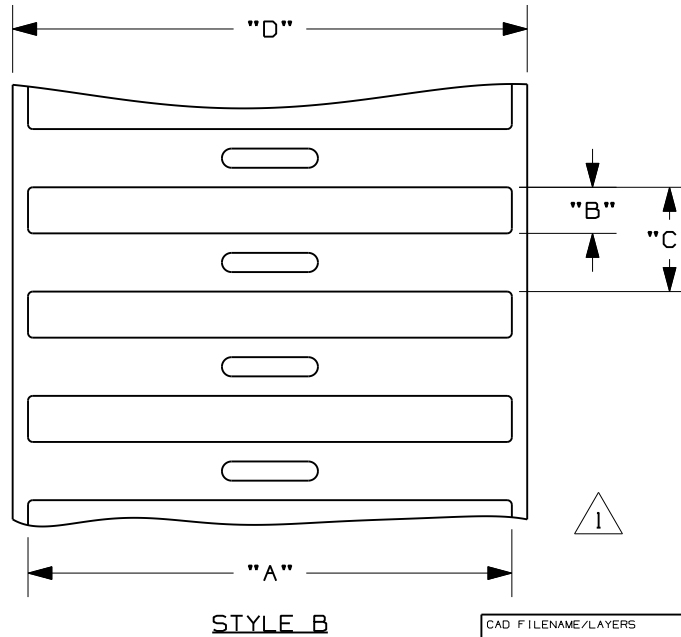
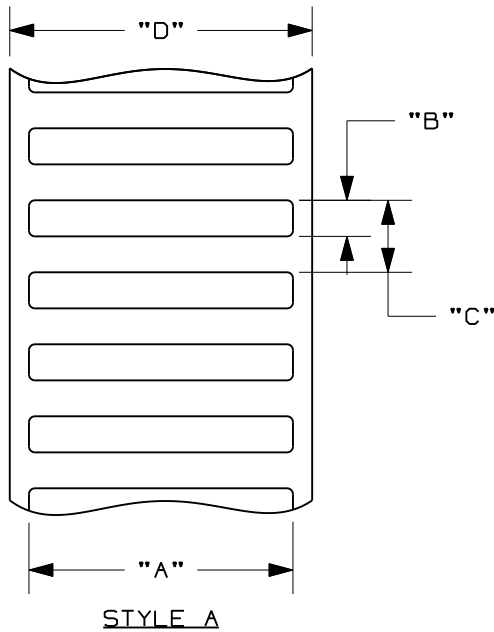
Email & Skype: info@chipsmall.com Web: www.chipsmall.com

Address: A1208, Overseas Decoration Building, #122 Zhenhua RD., Futian, Shenzhen, China



THIS COPY IS PROVIDED ON A RESTRICTED BASIS AND IS NOT TO BE USED IN ANY WAY DETRIMENTAL TO THE INTERESTS OF PANDUIT CORP.

PART NO.	MATERIAL	"A" +/- .06	"B" +/- .06	"C" +/- .06	"D" +/- .06	COLOR	LABELS PER ROW	LABELS PER ROLL	STYLE
C138X019YPT	GMY3	1.375 [34.93]	0.188 [4.78]	0.375 [9.52]	1.58 [40.00]	WHITE	1	2500	A
C138X019YOT	GMY3	1.375 [34.93]	0.188 [4.78]	0.375 [9.52]	1.58 [40.00]	BLACK	1	2500	A
C188X030YPT	GMY3	1.875 [47.62]	0.300 [7.62]	0.425 [10.80]	2.20 [55.88]	WHITE	1	2500	A
C252X030YPT	GMY3	2.520 [64.01]	0.300 [7.62]	0.425 [10.80]	2.72 [69.09]	WHITE	1	2500	A
C261X030YPT	GMY3	2.610 [66.29]	0.300 [7.62]	0.500 [12.70]	3.00 [46.20]	WHITE	1	2500	A
C288X030YPT	GMY3	2.875 [73.02]	0.300 [7.62]	0.425 [10.80]	3.08 [78.10]	WHITE	1	2500	A
C315X030YPT	GMY3	3.150 [80.01]	0.300 [7.62]	0.679 [17.25]	3.35 [85.09]	WHITE	1	2500	B
C379X030YPT	GMY3	3.790 [96.27]	0.300 [7.62]	0.425 [10.80]	3.99 [101.35]	WHITE	1	2500	A



NOTES:

1. ALL LABELS TO BE EQUALLY SPACED AS SHOWN.
2. MILLIMETER ARE IN ().

CAD FILENAME/LAYERS 100472KG_DC_C10405/01B

PANDUIT CORP. TINLEY PARK, ILLINOIS

CUSTOMER DRAWING CxxxXxxxYxT
THERMAL TRANSFER PRINTABLE LABELS

UNLESS OTHERWISE SPECIFIED,
DIMENSIONAL TOLERANCES ARE:
(.X) ± .12 (.XXX) ± .025
(.XX) ± .06 ANGLES ±

UNLESS OTHERWISE SPECIFIED,
ALL DIMENSIONS ARE GIVEN
IN INCHES, THIRD ANGLE PROJECTION.

REV	DATE	BY	CHK	DESCRIPTION	ECN	R	CUST	SUP
I	2/10/09	RVU		ADD STYLE B AND TABLE. ADD +/- .06.	5670	R		
O	5/25/07	RVU		FOR PART NO., C261X030YPT, "C" DIM. WAS .425. "D" DIM. WAS 2.86.	5022	R		
A	9-11-06	RVU		DRAWING RELEASED.	4670	R		

DRAWN BY
RVU
DATE
4-3-06
CHK'D

MAT'L:
SEE TABLE

SCALE
NTS
DRAWING NO.
C10405
DWG
A
SIZE