



Chipsmall Limited consists of a professional team with an average of over 10 year of expertise in the distribution of electronic components. Based in Hongkong, we have already established firm and mutual-benefit business relationships with customers from,Europe,America and south Asia,supplying obsolete and hard-to-find components to meet their specific needs.

With the principle of “Quality Parts,Customers Priority,Honest Operation,and Considerate Service”,our business mainly focus on the distribution of electronic components. Line cards we deal with include Microchip,ALPS,ROHM,Xilinx,Pulse,ON,Everlight and Freescale. Main products comprise IC,Modules,Potentiometer,IC Socket,Relay,Connector.Our parts cover such applications as commercial,industrial, and automotives areas.

We are looking forward to setting up business relationship with you and hope to provide you with the best service and solution. Let us make a better world for our industry!



Contact us

Tel: +86-755-8981 8866 Fax: +86-755-8427 6832

Email & Skype: info@chipsmall.com Web: www.chipsmall.com

Address: A1208, Overseas Decoration Building, #122 Zhenhua RD., Futian, Shenzhen, China



Pushbutton Switches, Snap Action, Wire Lug, 3 Amp

MATERIAL SPECIFICATIONS:

- ContactsSilver
- Case MaterialEpoxy resin
- Actuator MaterialCopper alloy, nickel plate
- TerminalsSilver
- Terminal SealEpoxy

ENVIRONMENTAL SPECIFICATIONS:

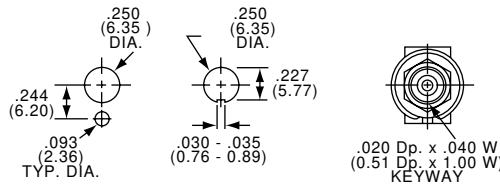
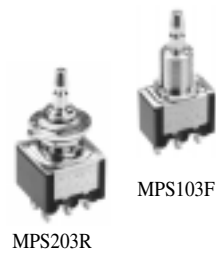
- Operating Temperature.....+5°F to +158°F (-15°C to +70°C)
- Storage Temperature.....+5°F to +158°F (-15°C to +70°C)

TYPICAL PERFORMANCE CHARACTERISTICS:

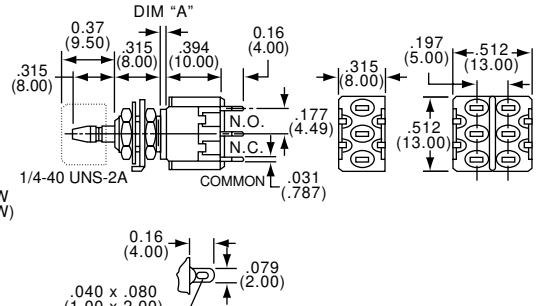
- Contact Rating3 A @ 115 VAC or 28 VDC
- Initial Contact Resistance10 Milliohms max.
- Contact TimingBreak-before-make
- Insulation Resistance1,000 Megohms @ 500 VDC min.
- Dielectric Strength1,000 Volts RMS @ sea level
- Actuation ForceSingle pole - 7 to 14 oz. (200 to 400 grams)
Double pole - 14 to 25 oz. (400 to 700 grams)
- Actuator Travel.....Momentary .040" (1.02)
Push on/off .098" (2.49)
- Life Expectancy50,000 Actuations

Notice: MPSN available with bi-color LED illumination.

SPDT/DPDT

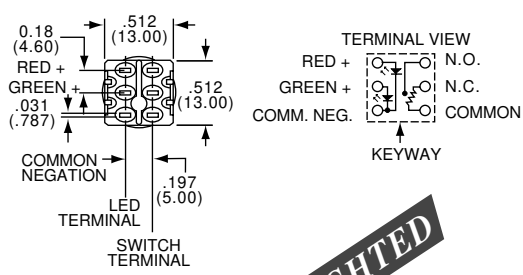
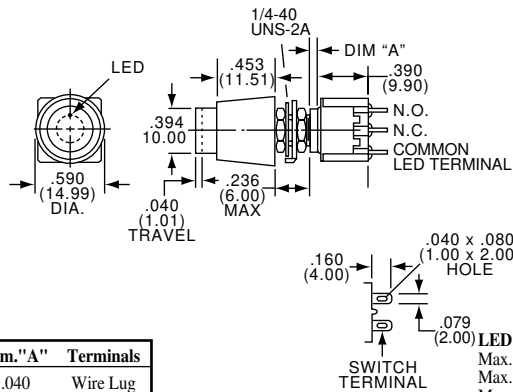
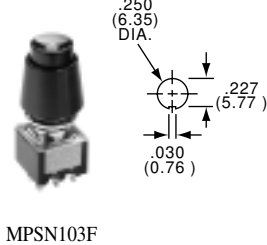


Model	Type	Action	Dim."A"	Terminals
MPS103D	SPDT	Push-on/Off	.100	Wire Lug
MPS103F	SPDT	Momentary	.040	Wire Lug
MPS203N	DPDT	Push-on/Off	.100	Wire Lug
MPS203R	DPDT	Momentary	.040	Wire Lug



Caps not supplied, order separately. (See Cap Model C22 and C23 on Page 6062.)

SPDT



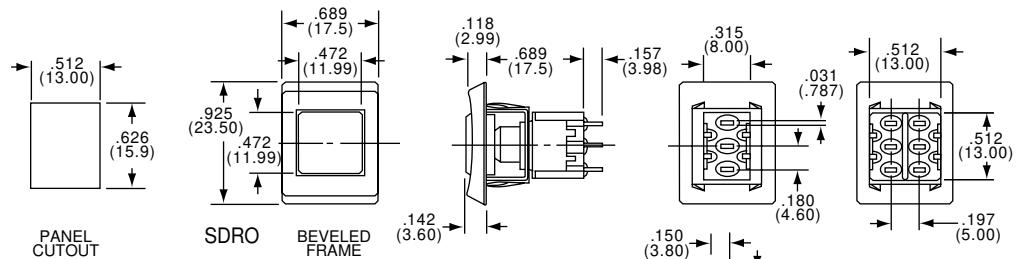
Model	Type	Action	Dim."A"	Terminals
MPSN103F	SPDT	Momentary	.040	Wire Lug

Note: LEDs are red and green.

LED Specifications:
 Max. V_{fwd} @ 20 mA_{dc} : 3 Vdc.
 Max. V_{rev} : 5 Vdc.
 Max. I_{fws} : 30 mA_{dc}.
 Recommended series resistance: R = 120 ohm @ 5 Vdc. (add 50 ohms/volt above 5 volts)

LIGHTED

SPDT/DPDT



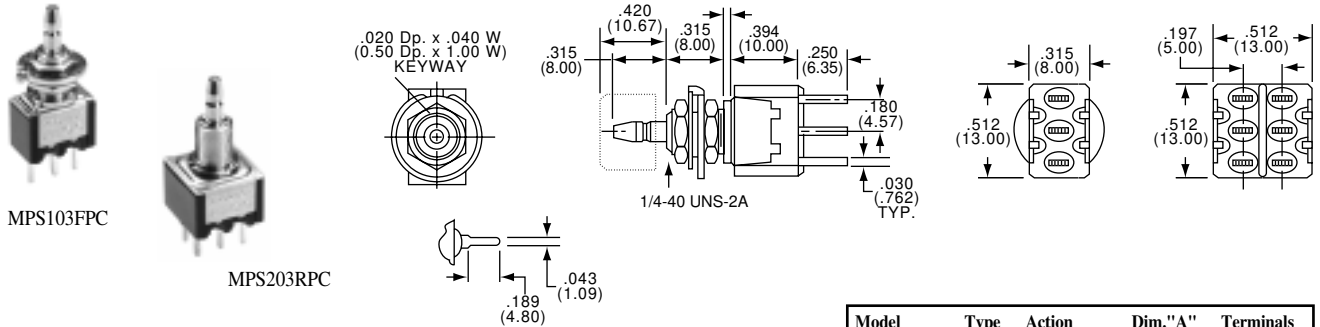
Model	Type	Action	Terminals
MPSR103F	SPDT	Momentary	Wire Lug
MPSR203R	DPDT	Momentary	Wire Lug
Model	Description	Color	
SDRO	Plastic beveled frame	Black	
C330-AG	Square button for MPSR	Black	
C332	Square button "	Red	
C339	Square button "	White	

C-33(*) Button not supplied, Plastic (black) beveled edged frame Model SDRO, not supplied. ORDER SEPARATELY

Pushbutton Switches, Snap Action, PC or Wire Wrap Tails, 3 Amp

SEE PAGE 6059 FOR PRODUCT SPECIFICATIONS

SPDT/DPDT



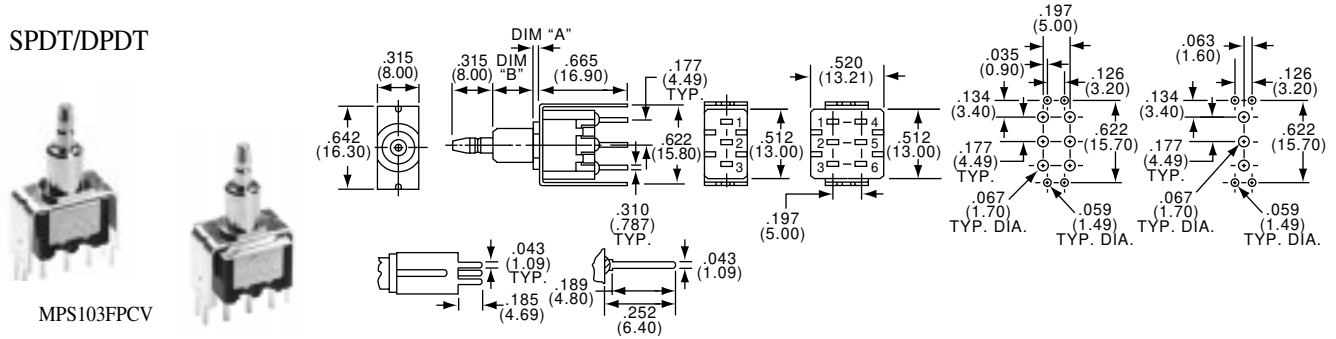
MPS103FPC

MPS203RPC

Model	Type	Action	Dim."A"	Terminals
MPS103DPC	SPDT	Push-on/Off	.100	PC Terminals
MPS103FPC	SPDT	Momentary	.040	PC Terminals
MPS203NPC	DPDT	Push-on/Off	.100	PC Terminals
MPS203RPC	DPDT	Momentary	.040	PC Terminals

Caps not supplied, order separately. (See Cap Model C22 and C23 on Page 6062.)

SPDT/DPDT



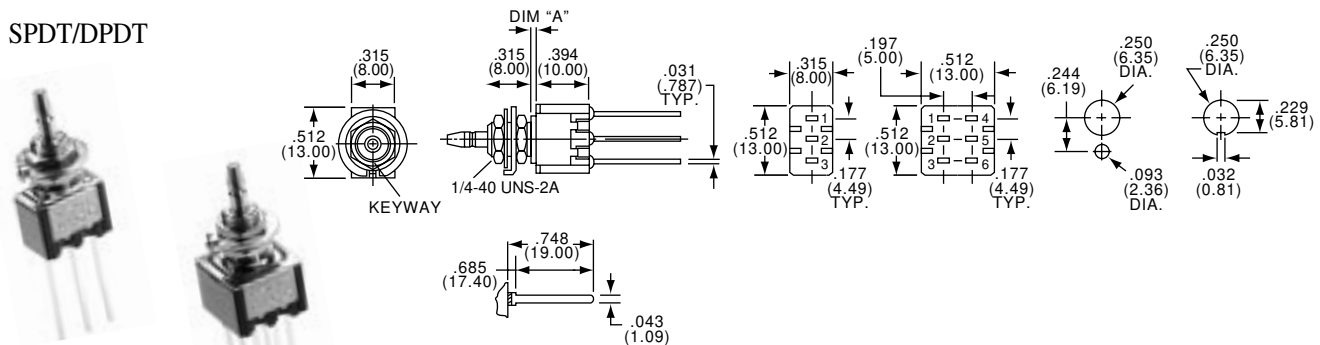
MPS103FPCV

MPS203RPCV

Model	Type	Action	Dim."A"	Dim."B"	Terminals
MPS103DPCV	SPDT	Push-on/Off	.080(2.03)	.315(8.00)	PC w/support
MPS103FPCV	SPDT	Momentary	.040(1.01)	.295(7.49)	PC w/support
MPS203RPCV	DPDT	Momentary	.040(1.01)	.295(7.49)	PC w/support

Caps not supplied, order separately. (See Cap Model C22 and C23 on Page 6062.)

SPDT/DPDT



MPS103FWW

MPS203RWW

Model	Type	Action	Dim."A"	Terminals
MPS103FWW	SPDT	Momentary	.040(1.01)	Extended PC
MPS203NWW	DPDT	Push-on/Off	.100(2.54)	Extended PC
MPS203RWW	DPDT	Momentary	.040(1.01)	Extended PC

Caps not supplied, order separately. (See Cap Model C22 and C23 on Page 6062.)

For complete product information, order Catalog 1308390

Courtesy of Steven Engineering, Inc. • 230 Ryan Way, South San Francisco, CA, 94080-6370 • Main Office: (650) 588-9200 • Outside Local Area: (800) 258-9200 • www.stevenengineering.com

Courtesy of Steven Engineering, Inc. • 230 Ryan Way, South San Francisco, CA, 94080-6370 • Main Office: (650) 588-9200 • Outside Local Area: (800) 258-9200 • www.stevenengineering.com

Pushbutton Switches, Snap Action, Right Angle, 3 Amp

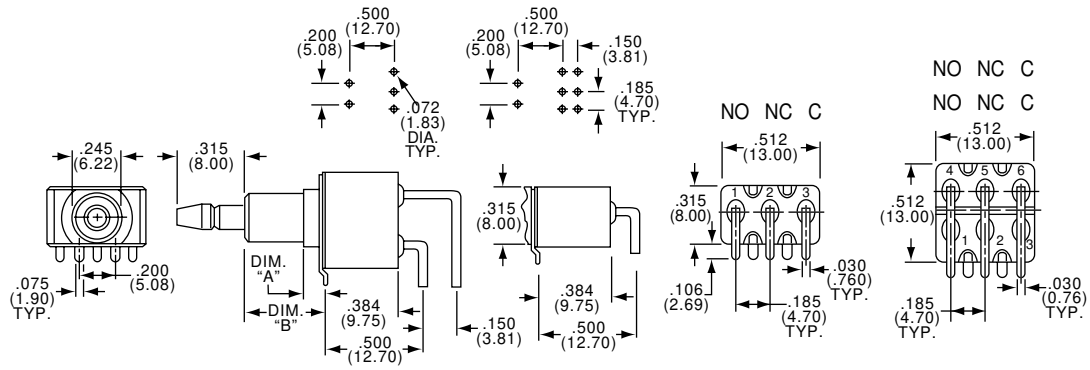
SPDT/DPDT



MPS103DRA



MPS203NRA



SEE PAGE 6028 FOR PRODUCT SPECIFICATIONS

Model	Type	Action	Dim."A"	Dim."B"	Terminals
MPS103DRA	SPDT	Push-on/Off	.100(2.54)	.423(10.7)	Right Angle PC
MPS103FRA	SPDT	Momentary	.060(1.52)	.364(9.24)	Right Angle PC
MPS203NRA	DPDT	Push-on/Off	.100(2.54)	.423(10.7)	Right Angle PC
MPS203RRA	DPDT	Momentary	.060(1.52)	.364(9.24)	Right Angle PC

Caps not supplied, order separately.
(See Cap Model C22 and C23 on Page 6062.)

MSP3/MSPS

Pushbutton Switches, 2.5mm Travel, Panel Mount

MATERIAL SPECIFICATIONS:

- ContactsSilver plate over copper alloy
- Case MaterialThermoplastic
- Actuator MaterialThermoplastic
- TerminalsSilver plate

TYPICAL PERFORMANCE CHARACTERISTICS:

- Contact RatingMSP103 - 3 Amps @ 125 VAC (with over travel) .059" (1.5mm)
- MSPS103 - 0.5 Amps @ 125 VAC (Butt contact)
- Initial Contact Resistance100 Milliohms
- Contact TimingBreak-before-make
- Insulation Resistance1,000 Megohms min.
- Dielectric Strength1,000 Volts RMS @ sea level
- Life Expectancy10,000 Cycles
- Travel2.5 mm

ENVIRONMENTAL SPECIFICATIONS:

- Operating Temperature.....-4°F to +176°F (-20°C to +80°C)
- Storage Temperature.....+5°F to +153°F (-15°C to +75°C)

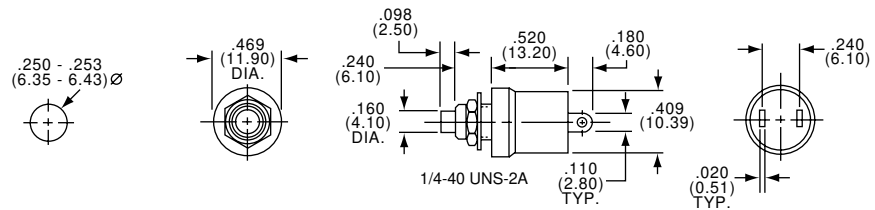
SPST



MSP103B

3 AMPS

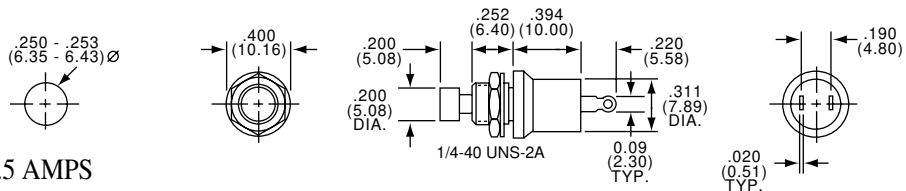
Model	Type	Act. Code P. K9	Momentary Action	Bushing Length	Actuator Color
MSP103B	SPST	14	Normally Closed	.236	Black
MSP103C	SPST	13	Normally Open	.236	Red
MSP103CO	SPST	13	Normally Open	.236	Black
MSP103C2	SPST	13	Normally Open	.374	Red



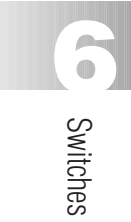
MSPS103B

0.5 AMPS

Model	Type	Act. Code P. K9	Momentary Action	Bushing Length	Actuator Color
MSPS103B	SPST	14	Normally Closed	.245	Black
MSPS103C	SPST	13	Normally Open	.245	Red
MSPS103C0	SPST	13	Normally Open	.245	Black



For complete product information, order Catalog 1308390



Courtesy of Steven Engineering, Inc. • 230 Ryan Way, South San Francisco, CA, 94080-6370 • Main Office: (650) 588-9200 • Outside Local Area: (800) 258-9200 • www.stevenengineering.com

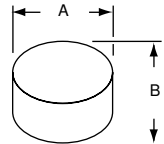
Pushbutton Switches, Accessories

CAPS



Model	ID.	Description	Use Guard	Color	"A" Diameter	B Height
C5(*)	Snapfit	Small plastic cap for MPA3 Series	-	(0), (2), (5), (9)	.195	.120
C8(*)	Snapfit	Large plastic cap for MPA3 Series	-	(0), (2), (5), (9)	.310	.160
C9(*)	Snapfit	Spare color cap for MPG Series	-	(0), (2), (4), (6), (9), (12)	.354	.138
C12(*)	Threaded**	Small plastic cap	G12	(0), (2), (5)	.392	.317
C13(*)	Threaded**	Large plastic cap	G13	(0), (2), (5)	.587	.390
C14(*)	Threaded**	Small metal cap	-	Chrome only	.177	.283
C14L(*)	Threaded**	Large metal cap	-	Chrome only	.313	.315
C22(*)	Snapfit	MPS/MSPM/MPE/MPA6	G12	(0), (2), (3), (4), (5), (6), (9)	.394	.315
C23(*)	Snapfit	MPS/MSPM/MPE/MPA6	G13	(0), (2), (3), (4), (5), (6), (9)	.590	.394
C33(*)	Snapfit	Square button for MPSR	-	(0), (2), (6), (9)	.378SQ.	.201

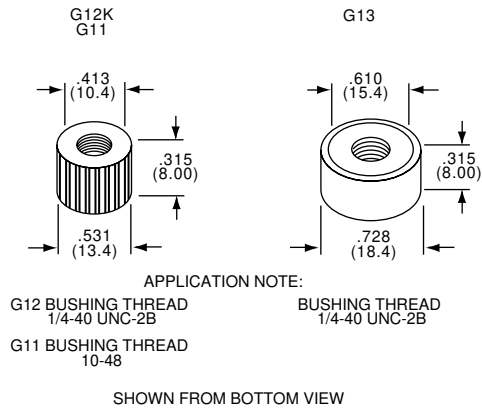
(*) Specify color by adding suffix number: (0) Black, (2) Red, (3) Orange, (4) Yellow, (5) Green, (6) Blue, (9) White, (12) Pink.



**Threaded 3-56 UNF-2B

Model	Type	Color	Finish	Can be Used with Cap
G11A	10-48	Clear aluminum	Plain	C22 —
G11B	10-48	Black aluminum	Plain	C22 —
G11C	10-48	Chromed Brass	Plain	C22 —
G12A	1/4-40	Clear aluminum	Plain	C12 C22
G12B	1/4-40	Black aluminum	Plain	C12 C22
G12C	1/4-40	Chromed brass	Plain	C12 C22
G12KA	1/4-40	Clear aluminum	Knurled	C12 C22
G12KB	1/4-40	Black aluminum	Knurled	C12 C22
G12KC	1/4-40	Chromed brass	Knurled	C12 C22
G13A	1/4-40	Clear aluminum	Plain	C13 C23
G13B	1/4-40	Black aluminum	Plain	C13 C23
G13C	1/4-40	Chromed brass	Plain	C13 C23
G13KA	1/4-40	Clear aluminum	Knurled	C13 C23
G13KB	1/4-40	Black aluminum	Knurled	C13 C23
G13KC	1/4-40	Chromed brass	Knurled	C13 C23
Model	Type	Color	Finish	
G15*	15/32"	Clear aluminum	Plain	

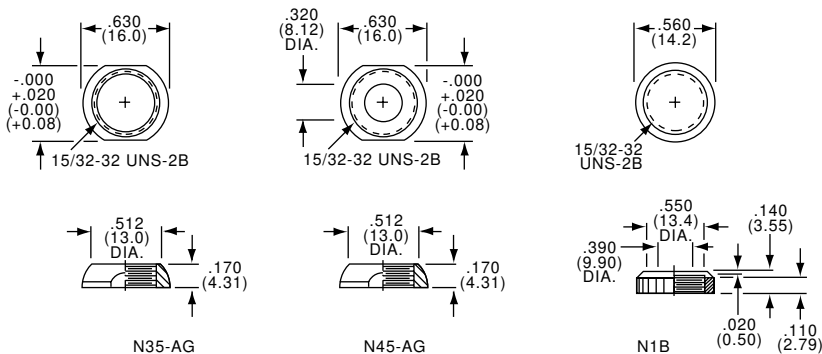
*G15 Model used on the MSPF Series



GUARDS



DECORATIVE HARDWARE



Model	Type	Description
N1B	15/32"	"Perfect Fit" knurled nut
N35-AG	15/32"	Decorative nut (supplied on switch)
N45-AG	15/32"	"Perfect Fit" decorative nut

For complete product information, order Catalog 1308390