



Chipsmall Limited consists of a professional team with an average of over 10 year of expertise in the distribution of electronic components. Based in Hongkong, we have already established firm and mutual-benefit business relationships with customers from,Europe,America and south Asia,supplying obsolete and hard-to-find components to meet their specific needs.

With the principle of "Quality Parts,Customers Priority,Honest Operation,and Considerate Service",our business mainly focus on the distribution of electronic components. Line cards we deal with include Microchip,ALPS,ROHM,Xilinx,Pulse,ON,Everlight and Freescale. Main products comprise IC,Modules,Potentiometer,IC Socket,Relay,Connector.Our parts cover such applications as commercial,industrial, and automotives areas.

We are looking forward to setting up business relationship with you and hope to provide you with the best service and solution. Let us make a better world for our industry!



Contact us

Tel: +86-755-8981 8866 Fax: +86-755-8427 6832

Email & Skype: info@chipsmall.com Web: www.chipsmall.com

Address: A1208, Overseas Decoration Building, #122 Zhenhua RD., Futian, Shenzhen, China



Copying of this document and giving it to others and the use or communication of the contents thereof, are forbidden without express authority. Offenders are liable to the payment of damages. All rights are reserved in the event of the grant of a patent or the registration of the utility model or design.

Weitergabe sowie Vervielfältigung dieser Unterlage, Verwertung und Mitteilung ihres Inhalts nicht gestattet, soweit nicht ausdrücklich zugestanden. Zuwiderhandlungen verpflichten zu Schadenersatz. Alle Rechte für den Fall der Patenterteilung oder Gebrauchsmuster-Eintragung vorbehalten.

8 7 6 5 4 3 2 1

F

E

D

C

B

A

F

E

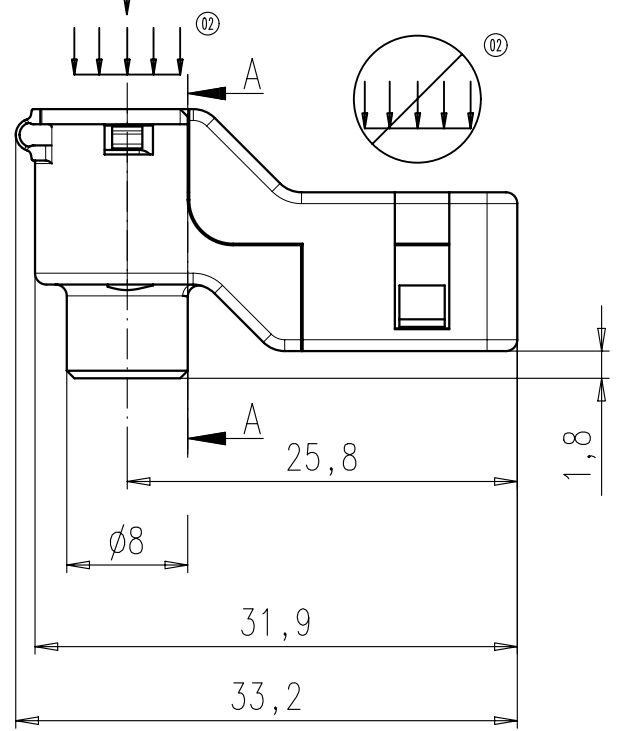
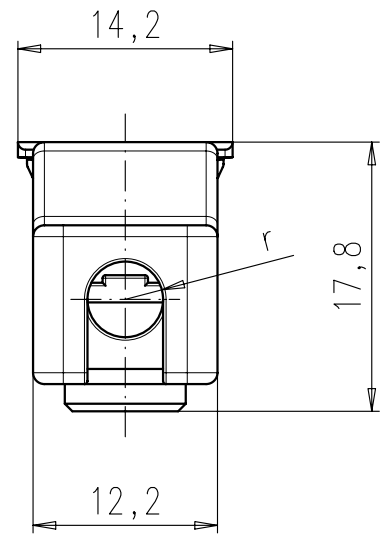
D

C

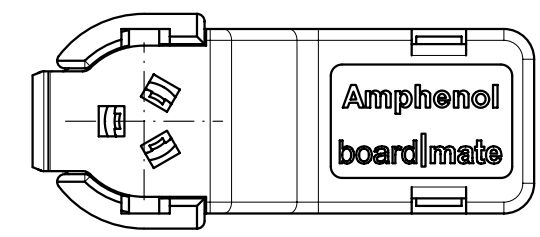
B

A

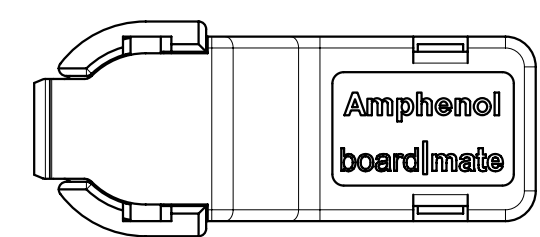
Die Kräfteinleitung beim Stecken⁰² und Ziehen muss entlang der Achse der Kontaktbuchse erfolgen
the initiation of the insertion and withdrawal force has to be in the axis of the contact socket



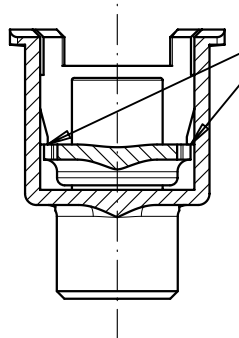
Dargestellte Ausführung:
 Verrastung durchs Gehäuse, 10mm²
*represented design:
 locking up by the housing, 10mm²*



Dargestellte Ausführung:
 Kontaktverrastung, 6mm²
*represented execution:
 click|fit[®], 6mm²*



A-A



Der Kontakt muss vor Schließen⁰² des Gehäuses ordnungsgemäß eingerastet sein
the contact has to be snapped in properly before closing the housing

C360 G01 041 E1	Gehäuse housing	6mm ²	R2,5
C360 G01 141 E1	Kontaktverrastung click fit [®]	6mm ²	R2,5
C360 G01 241 E1	Gehäuse housing	10mm ²	R3,2
C360 G01 341 E1	Kontaktverrastung click fit [®]	10mm ²	R3,2
Typ-Nr. type-no.	Verrastung snap-fit	Kabelquerschnitt cable cross-sectional area	r

Masse (errechnet)/Calc WT:	9	Zul. Abw./Tolerances:		Maßstab/Scale	2:1	A3	
Prüfmaß/Testdimension				CUSTOMER DRAWING			
Teileindex Partindexnumber				Buchsengehäuse ø3,6mm Radsok female housing			
		07	Datum/Date	Name			
		Gez.	22.02.	Herrmann			
		Gepr.					
		Checked					
		Amphenol-Tuchel Electronics GmbH		M	C360 G01 X41 E1	Blatt/Sheet	
02	200900531	12.10.09	Hoe.			1	
01	200800489	25.06.08	CM			1 Bl.	
Index	Änderung/Description	Datum/Date	Name	Ers. f./Replacement for:			