



Chipsmall Limited consists of a professional team with an average of over 10 year of expertise in the distribution of electronic components. Based in Hongkong, we have already established firm and mutual-benefit business relationships with customers from,Europe,America and south Asia,supplying obsolete and hard-to-find components to meet their specific needs.

With the principle of “Quality Parts,Customers Priority,Honest Operation,and Considerate Service”,our business mainly focus on the distribution of electronic components. Line cards we deal with include Microchip,ALPS,ROHM,Xilinx,Pulse,ON,Everlight and Freescale. Main products comprise IC,Modules,Potentiometer,IC Socket,Relay,Connector.Our parts cover such applications as commercial,industrial, and automotives areas.

We are looking forward to setting up business relationship with you and hope to provide you with the best service and solution. Let us make a better world for our industry!



Contact us

Tel: +86-755-8981 8866 Fax: +86-755-8427 6832

Email & Skype: info@chipsmall.com Web: www.chipsmall.com

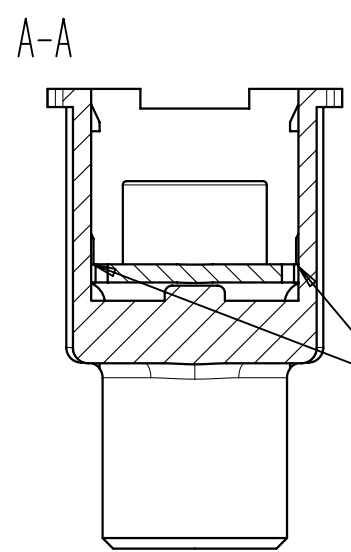
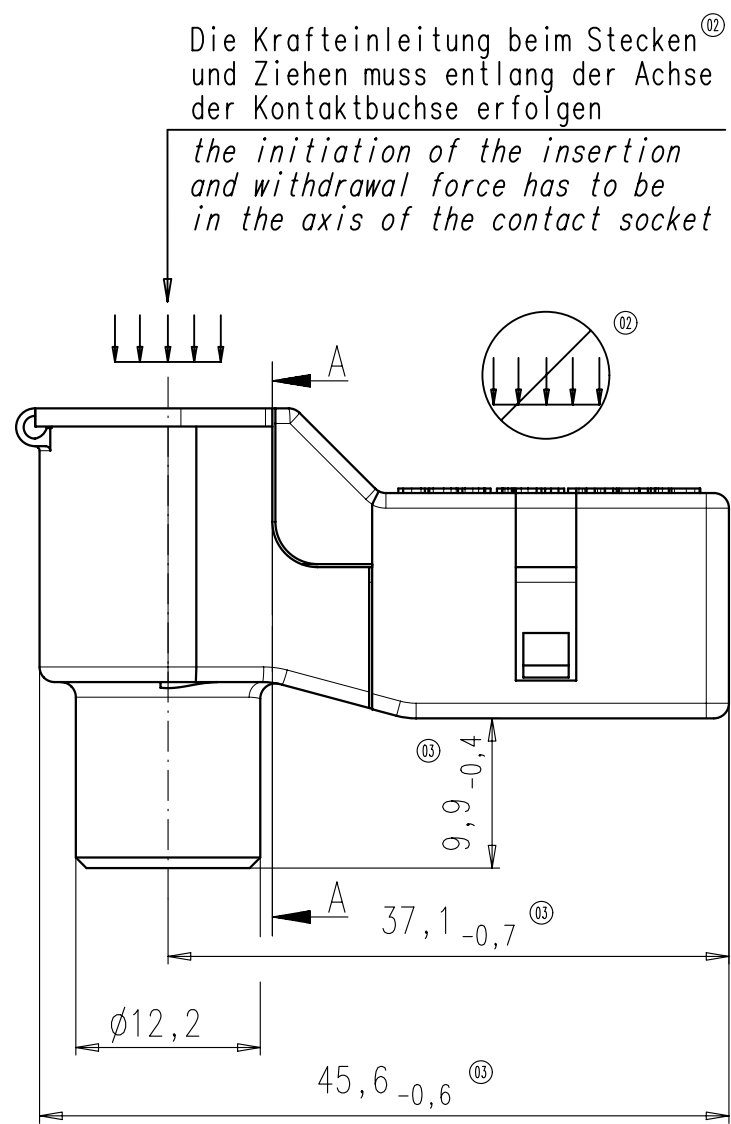
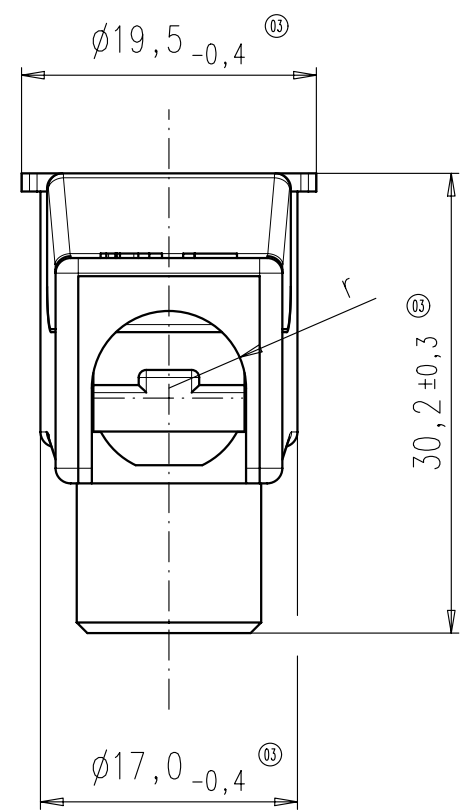
Address: A1208, Overseas Decoration Building, #122 Zhenhua RD., Futian, Shenzhen, China



Copying of this document and giving it to others and the use or communication of the contents thereof, are forbidden without express authority. Offenders are liable to the payment of damages. All rights are reserved in the event of the grant of a patent or the registration of the utility model or design.

Weitergabe sowie Vervielfältigung dieser Unterlage, Verwertung und Mitteilung ihres Inhalts nicht gestattet, soweit nicht ausdrücklich zugestanden. Zuwiderhandlungen verpflichten zu Schadenersatz. Alle Rechte für den Fall der Patenterteilung oder Gebrauchsmuster-Eintragung vorbehalten.

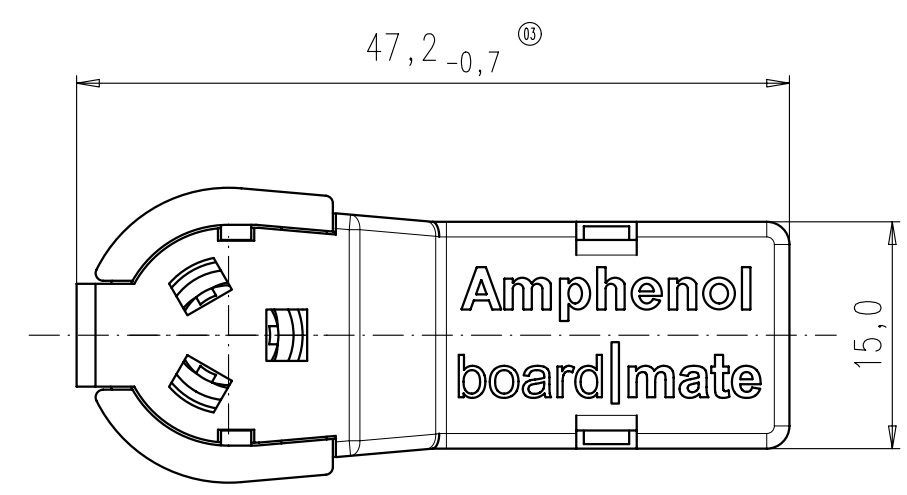
8 7 6 5 4 3 2 1



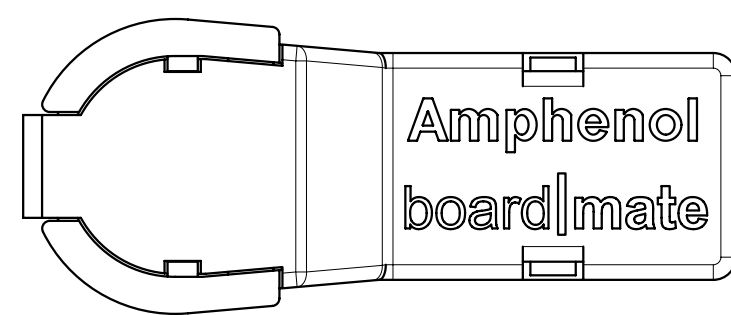
Der Kontakt muss vor Schließen⁽⁰²⁾
 des Gehäuses ordnungsgemäß
 eingerastet sein
*the contact has to be
 snapped in properly
 before closing the housing*

Die Kräfteinleitung beim Stecken⁽⁰²⁾
 und Ziehen muss entlang der Achse
 der Kontaktbuchse erfolgen
*the initiation of the insertion
 and withdrawal force has to be
 in the axis of the contact socket*

Dargestellte Ausführung:
 Verrastung durchs Gehäuse, 25mm²
*represented design:
 locking up by the housing, 25mm²*



Dargestellte Ausführung:
 Kontaktverrastung, (10-16)mm²
*represented execution:
 click|fit[®], (10-16)mm²*



C360 G01 041 E2	Gehäuse housing	(10-16)mm ²	R4
C360 G01 141 E2	Kontaktverrastung click fit [®]	(10-16)mm ²	R4
C360 G01 241 E2	Gehäuse housing	25mm ²	R5
C360 G01 341 E2	Kontaktverrastung click fit [®]	25mm ²	R5
Typ-Nr. type-no.	Verrastung snap-fit	Kabelquerschnitt cable cross-sectional area	r

Masse (errechnet)/Calc WF: 11 9	Zul. Abw./Tolerances: 9	Maßstab/Scale 2:1	A3
Prüfmaß/Testdimension	ISO 2678-m	CUSTOMER DRAWING	
Teileindex Partindexnumber	DIN/ISO 13715	Buchsengehäuse $\phi 6$ mm Radsok 90° female housing	
Gez. 07	Datum/Date 04.06.	Name Herrmann	
Drawn			
Gepr.			
Checked			
03 201100385	30.05.11 RS	Amphenol-Tuchel Electronics GmbH	M C360 G01 X41 E2
02 200900531	12.10.09 Hoe.		
01 200800489	25.06.08 CM		
Index	Änderung/Description	Datum/Date	Name
Ers. f./Replacement for: C360 G01 041 E2 Rev01			Blatt/Sheet 1 1 Bl.