



Chipsmall Limited consists of a professional team with an average of over 10 year of expertise in the distribution of electronic components. Based in Hongkong, we have already established firm and mutual-benefit business relationships with customers from,Europe,America and south Asia,supplying obsolete and hard-to-find components to meet their specific needs.

With the principle of “Quality Parts,Customers Priority,Honest Operation,and Considerate Service”,our business mainly focus on the distribution of electronic components. Line cards we deal with include Microchip,ALPS,ROHM,Xilinx,Pulse,ON,Everlight and Freescale. Main products comprise IC,Modules,Potentiometer,IC Socket,Relay,Connector.Our parts cover such applications as commercial,industrial, and automotives areas.

We are looking forward to setting up business relationship with you and hope to provide you with the best service and solution. Let us make a better world for our industry!



Contact us

Tel: +86-755-8981 8866 Fax: +86-755-8427 6832

Email & Skype: info@chipsmall.com Web: www.chipsmall.com

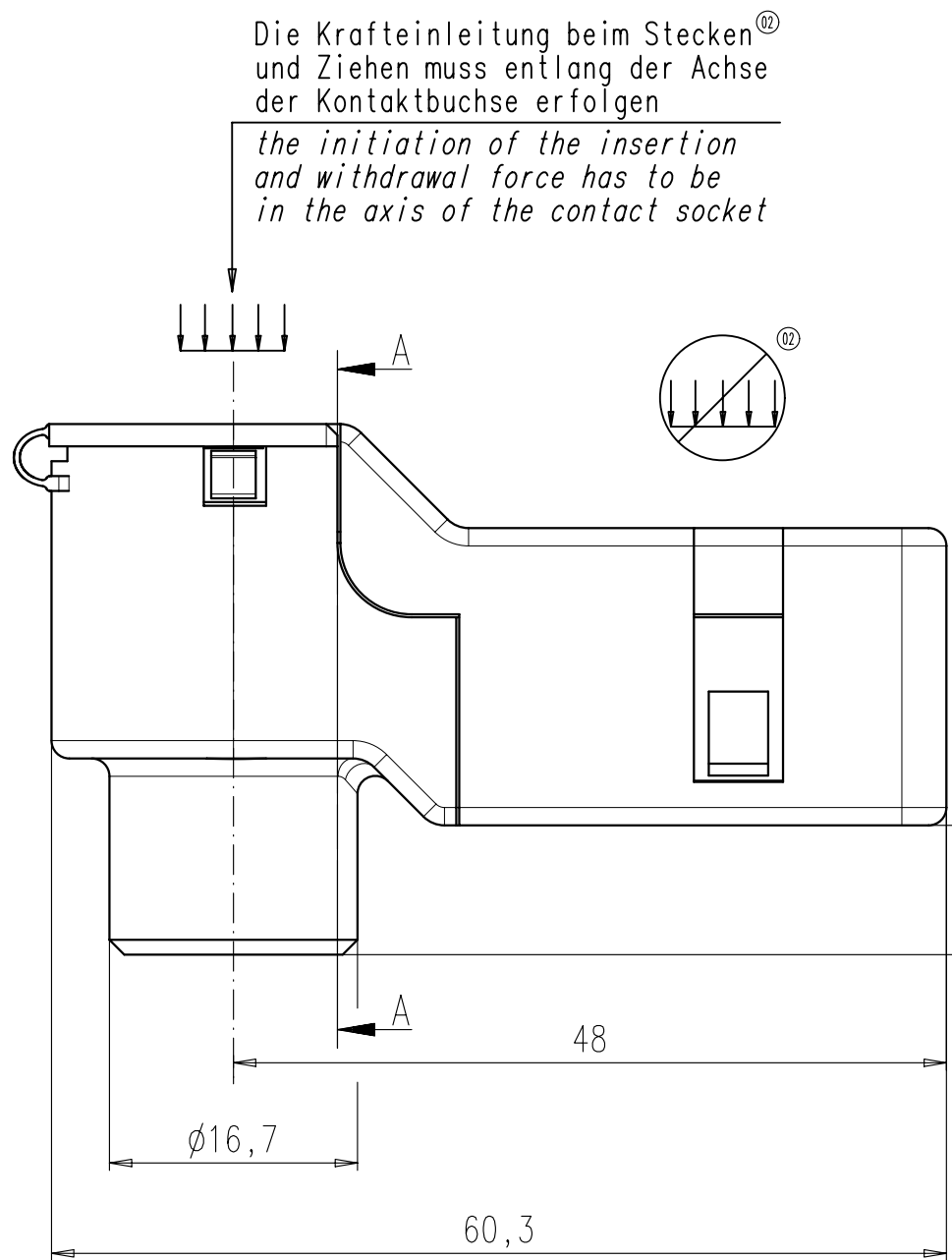
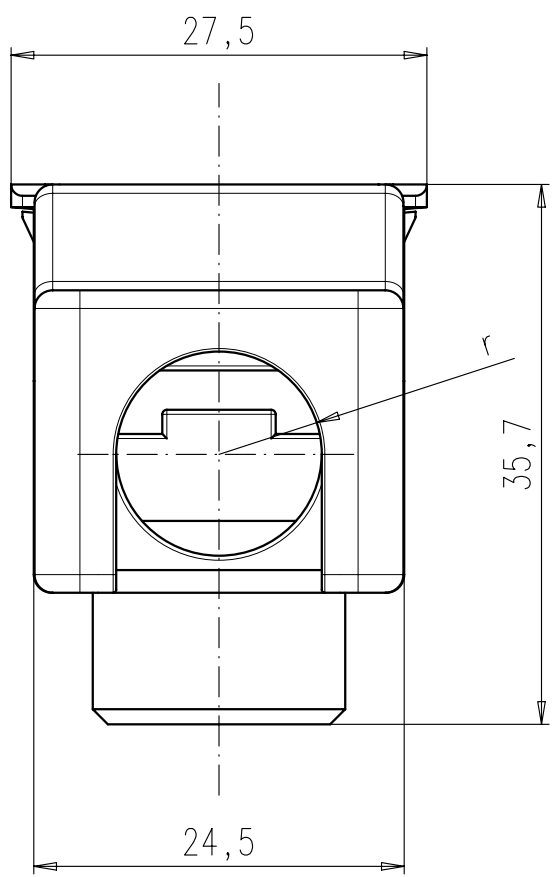
Address: A1208, Overseas Decoration Building, #122 Zhenhua RD., Futian, Shenzhen, China



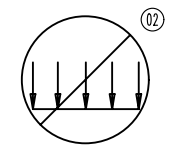
Copying of this document and giving it to others and the use or communication of the contents thereof, are forbidden without express authority. Offenders are liable to the payment of damages. All rights are reserved in the event of the grant of a patent or the registration of the utility model or design.

Weitergabe sowie Vervielfältigung dieser Unterlage, Verwertung und Mitteilung ihres Inhalts nicht gestattet, soweit nicht ausdrücklich zugestanden. Zuwiderhandlungen verpflichten zu Schadenersatz. Alle Rechte für den Fall der Patenterteilung oder Gebrauchsmuster-Eintragung vorbehalten.

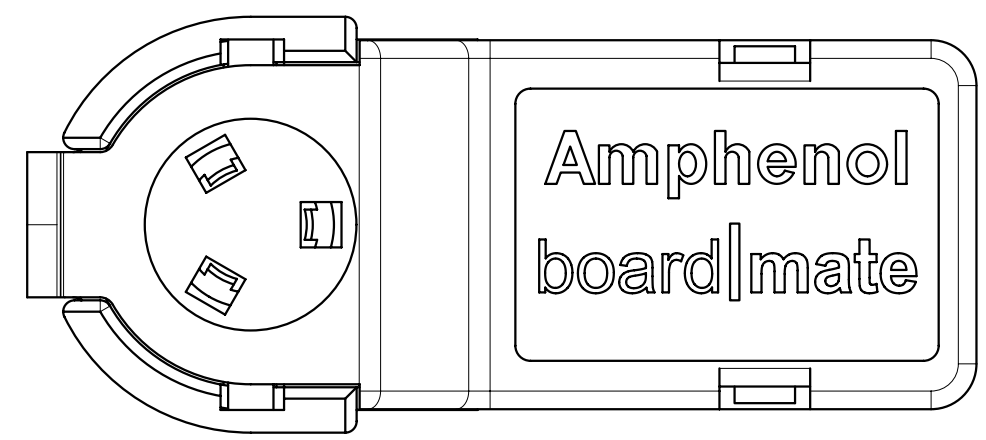
8 7 6 5 4 3 2 1



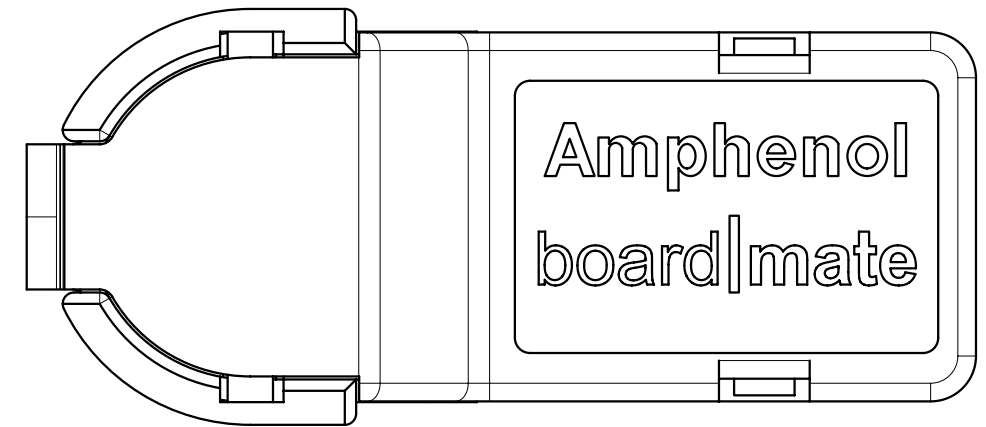
Die Kräfteinleitung beim Stecken⁰² und Ziehen muss entlang der Achse der Kontaktbuchse erfolgen
the initiation of the insertion and withdrawal force has to be in the axis of the contact socket



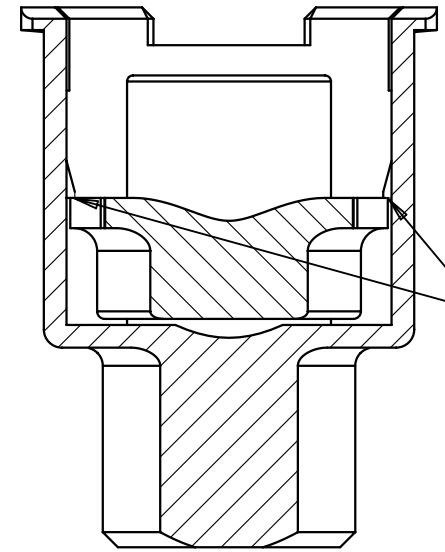
Dargestellte Ausführung:
 Verrastung durchs Gehäuse, 50mm²
*represented design:
 locking up by the housing, 50mm²*



Dargestellte Ausführung:
 Kontaktverrastung, 35mm²
*represented execution:
 click|fit[®], 35mm²*



A-A



Der Kontakt muss vor Schließen⁰² des Gehäuses ordnungsgemäß eingerastet sein
the contact has to be snapped in properly before closing the housing

C360 G01 041 E3	Gehäuse housing	35mm ²	R5,7
C360 G01 141 E3	Kontaktverrastung click fit [®]	35mm ²	R5,7
C360 G01 241 E3	Gehäuse housing	50mm ²	R6,8
C360 G01 341 E3	Kontaktverrastung click fit [®]	50mm ²	R6,8
Typ-Nr. type-no.	Verrastung snap-fit	Kabelquerschnitt cable cross-sectional area	r

Masse (errechnet)/Calc WT: 9	Zul. Abw./Tolerances:	Maßstab/Scale 2:1 ⁰²	A3	
Prüfmaß/Testdimension		CUSTOMER DRAWING		
Teileindex Partindexnumber		Buchsengehäuse 8mm female housing		
	07 Datum/Date Name	Amphenol-Tuchel Electronics GmbH		
	Gez. 27.08. Herrmann	M C360 G01 X41 E3		
	Drawn	Blatt/Sheet 1		
	Gepr. ? C. Bueg	1 Bl.		
	Checked	Ers. f./Replacement for:		
02 200900531 12.10.09 Hoe.				
01 200800496 30.06.08 CM				
Index Änderung/Description Datum/Date Name				