



Chipsmall Limited consists of a professional team with an average of over 10 year of expertise in the distribution of electronic components. Based in Hongkong, we have already established firm and mutual-benefit business relationships with customers from,Europe,America and south Asia,supplying obsolete and hard-to-find components to meet their specific needs.

With the principle of “Quality Parts,Customers Priority,Honest Operation,and Considerate Service”,our business mainly focus on the distribution of electronic components. Line cards we deal with include Microchip,ALPS,ROHM,Xilinx,Pulse,ON,Everlight and Freescale. Main products comprise IC,Modules,Potentiometer,IC Socket,Relay,Connector.Our parts cover such applications as commercial,industrial, and automotives areas.

We are looking forward to setting up business relationship with you and hope to provide you with the best service and solution. Let us make a better world for our industry!



## Contact us

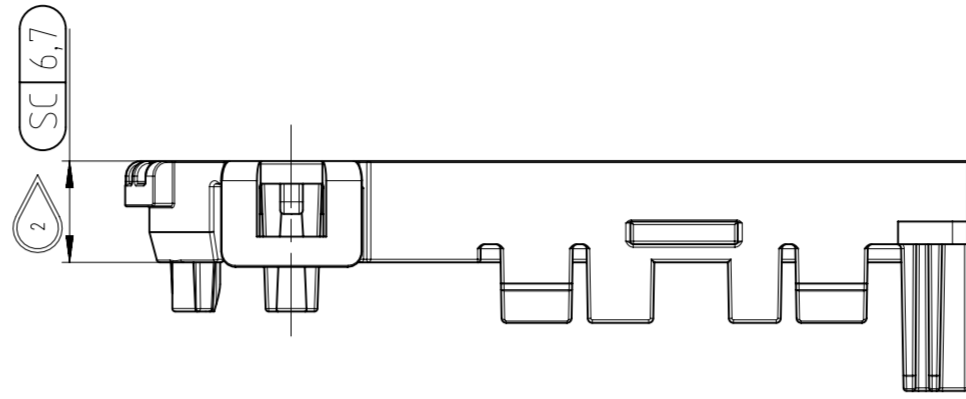
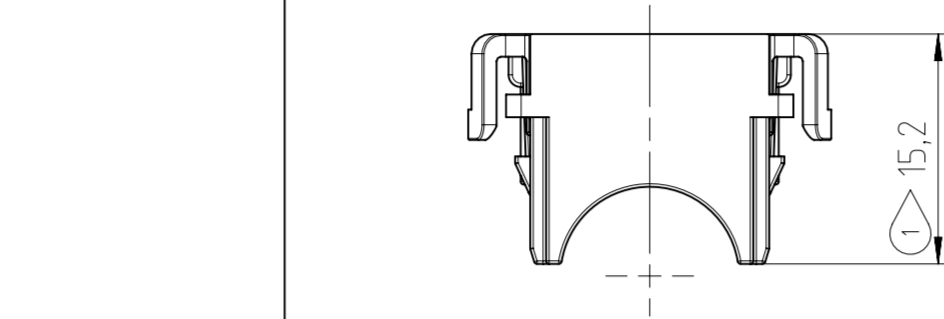
Tel: +86-755-8981 8866 Fax: +86-755-8427 6832

Email & Skype: info@chipsmall.com Web: www.chipsmall.com

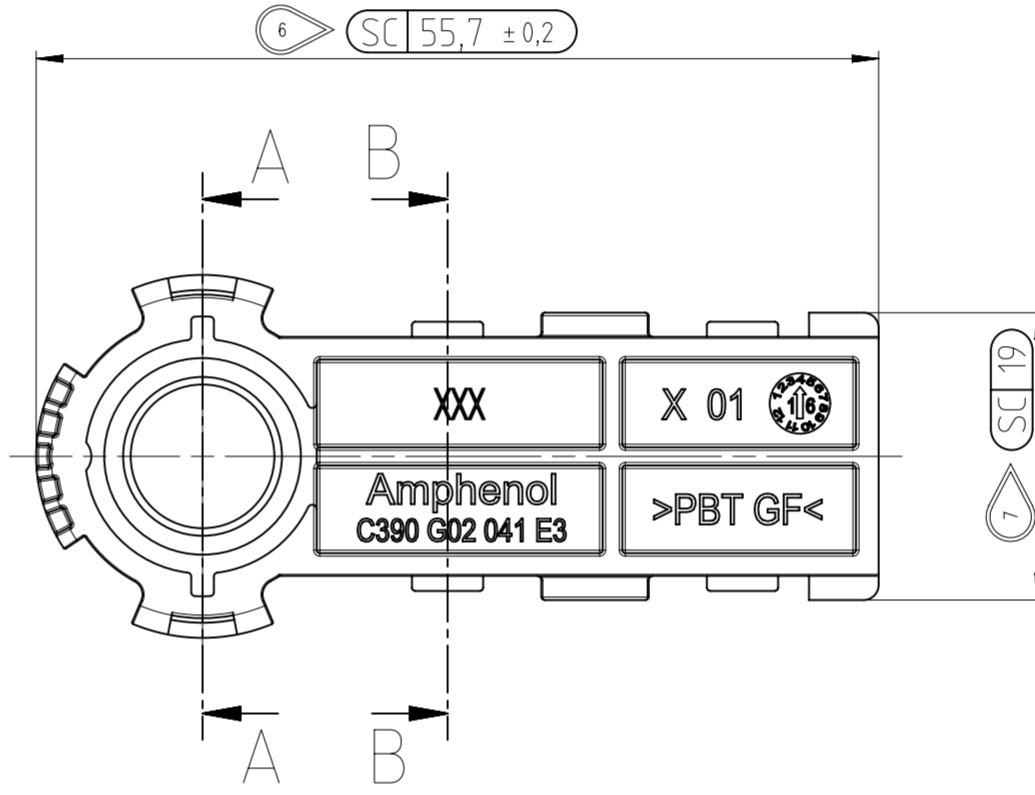
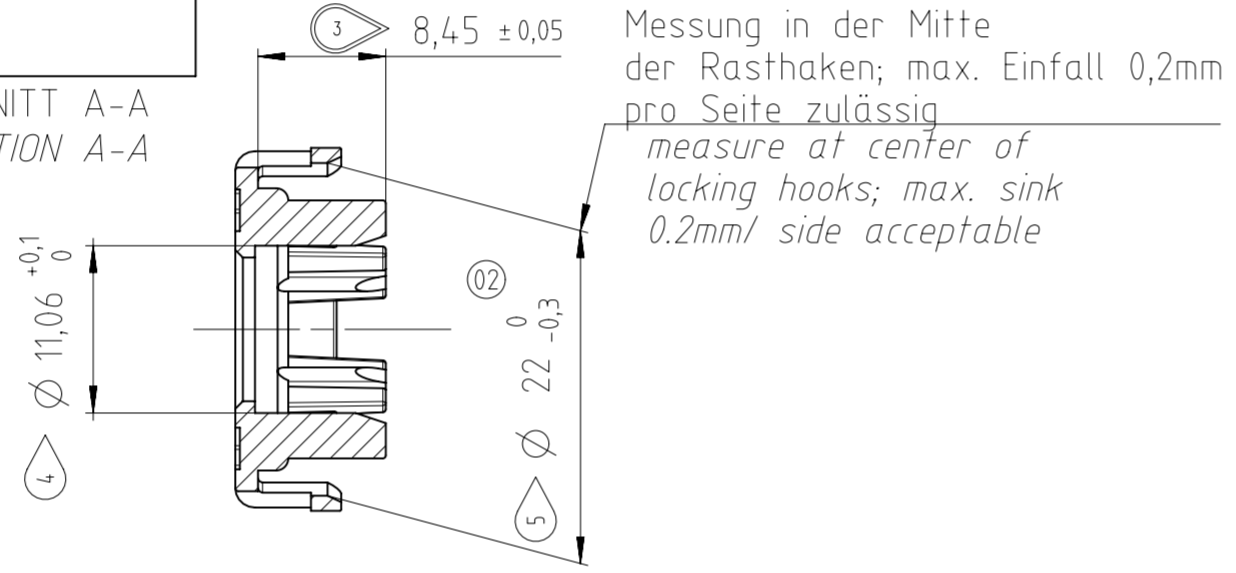
Address: A1208, Overseas Decoration Building, #122 Zhenhua RD., Futian, Shenzhen, China



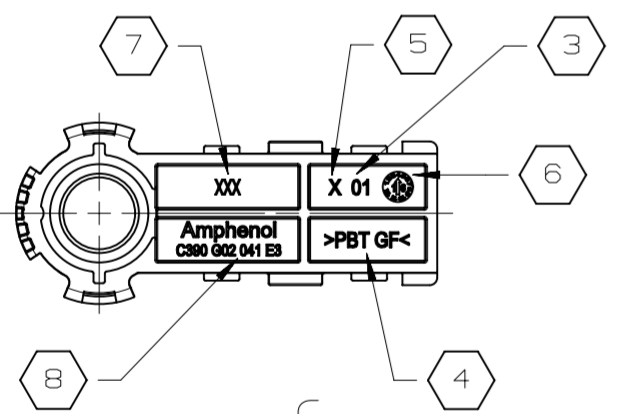
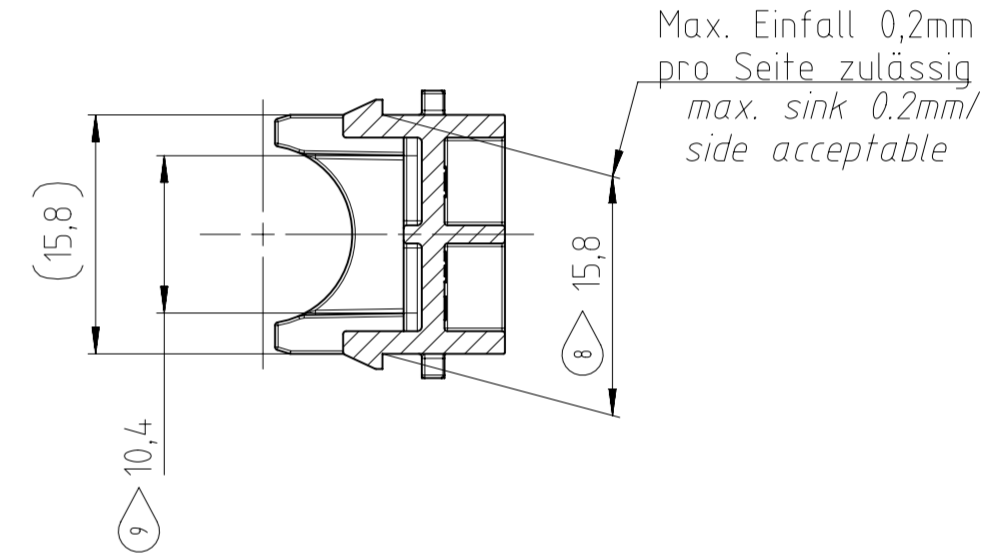
- Bemerkungen:  
Notes:
- 1 Werkstoff: >PBT GF 30< Schwarz ähnlich RAL 9011  
Material: >PBT GF 30< black similar to RAL 9011
  - 2 Oberflächen: Erodierstruktur ähnlich VDI 3400/24  
External surfaces: erode structure similar VDI 3400/24
  - 3 Werkzeugindex: 01  
Tool index: 01
  - 4 Materialkennzeichnung  
Material marking
  - 5 Nestnummer  
Mould cavity identification
  - 6 Datumsuhr  
Date insert
  - 7 Kunden-Teilenummer  
Customer part number
  - 8 Amphenol-Teilenummer  
Amphenol part number



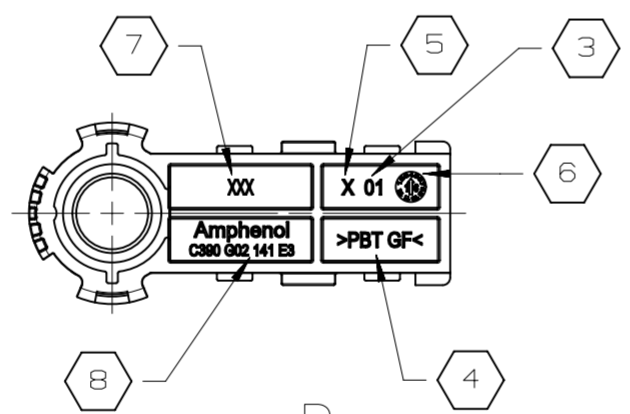
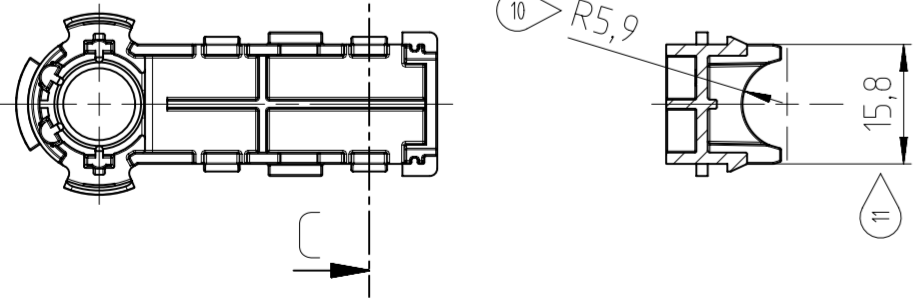
SCHNITT A-A  
SECTION A-A



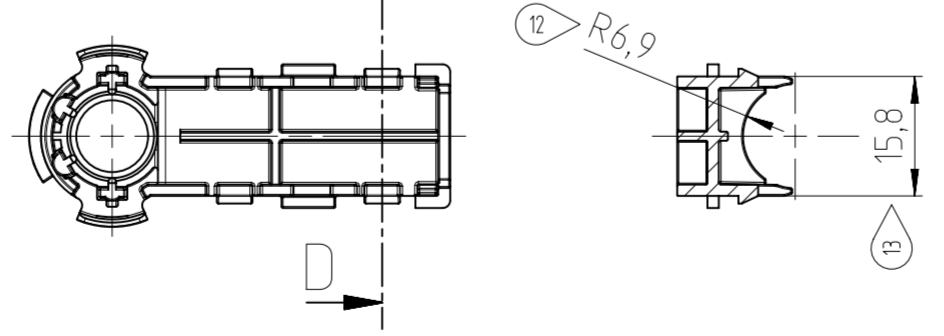
SCHNITT B-B  
SECTION B-B



SCHNITT C-C  
SECTION C-C



SCHNITT D-D  
SECTION D-D



Maß relevant für die Funktion  
dimension important for function

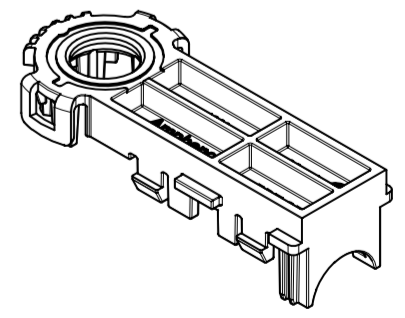
20 höchste Prüfziffer  
final check digit

entfernte Prüfziffern: -  
removed check digits:

Weitergabe sowie Vervielfältigung dieser Unterlage, Verwertung und Mitteilung ihres Inhalts nicht gestattet, soweit nicht ausdrücklich zugestanden. Zuwiderhandlungen verpflichten zu Schadensersatz. Alle Rechte für den Fall der Patenterteilung oder Gebrauchsmuster-Eintragung vorbehalten.

Copying of this document and giving it to others and the use or communication of the contents thereof, are forbidden without express authority. Offenders are liable to the payment of damages. All rights are reserved in the event of the grant of a patent or the registration of the utility model or design.

SCALE 1:1



Teilenummer Kunde Part number customer	XXXXXXXX
Amphenol-Teilenummer Amphenol part number	C390 G02 041 E3
Farbe colour	Schwarz ähnlich RAL 9011 Black similar to RAL 9011
Ausführung / type	A
Kabelausgang / cable outlet	35mm <sup>2</sup>
Gewicht / Weight	4,97g

Teilenummer Kunde Part number customer	XXXXXXXX
Amphenol-Teilenummer Amphenol part number	C390 G02 141 E3
Farbe colour	Schwarz ähnlich RAL 9011 Black similar to RAL 9011
Ausführung / type	B
Kabelausgang / cable outlet	50mm <sup>2</sup>
Gewicht / Weight	4,84g

Gewicht (errechnet) / Calc. WT. g	Zul. Abw./Tolerances	Maßstab / Scale	2:1 (1:1)	A2
Teilindex Partindexnummer	ISO 2768-m/K	siehe Bemerkungen see notes		
	2015 Datum/Date	Name		
	Gez. 04.12.	Schwarzenbrunner		
	Gepr. 2017.07.28	Volker Körner		
	Checked 2017.07.28	14.11.32		
03 201700100 28.07.17 JST	Amphenol-Tuchel Electronics GmbH	M-C390 G02 X41 E3		
02 201600586 24.08.16 RSC				
01 201600364 14.06.16 RSC				
Index Änderung/Description	Datum/Date	Name	Ers. f. / Replacement for: M-SK 201500732 0017 X	