



Chipsmall Limited consists of a professional team with an average of over 10 year of expertise in the distribution of electronic components. Based in Hongkong, we have already established firm and mutual-benefit business relationships with customers from,Europe,America and south Asia,supplying obsolete and hard-to-find components to meet their specific needs.

With the principle of “Quality Parts,Customers Priority,Honest Operation,and Considerate Service”,our business mainly focus on the distribution of electronic components. Line cards we deal with include Microchip,ALPS,ROHM,Xilinx,Pulse,ON,Everlight and Freescale. Main products comprise IC,Modules,Potentiometer,IC Socket,Relay,Connector.Our parts cover such applications as commercial,industrial, and automotives areas.

We are looking forward to setting up business relationship with you and hope to provide you with the best service and solution. Let us make a better world for our industry!



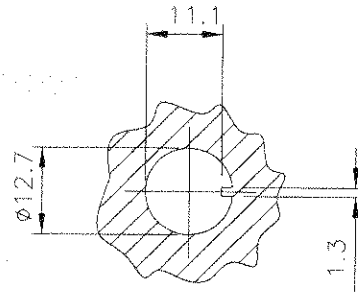
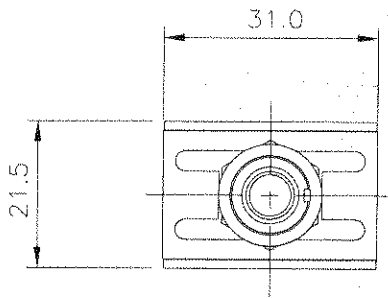
## Contact us

Tel: +86-755-8981 8866 Fax: +86-755-8427 6832

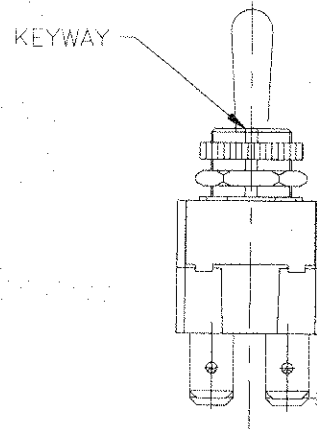
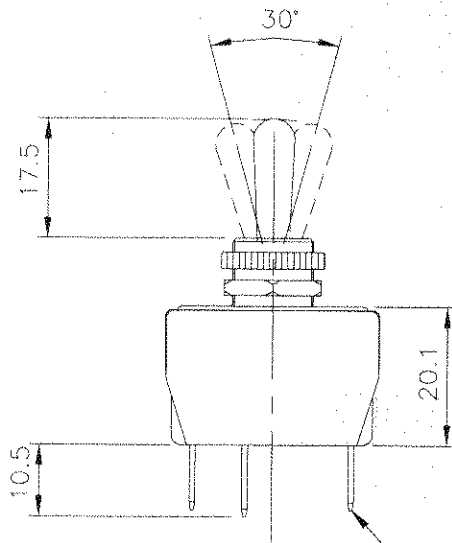
Email & Skype: info@chipsmall.com Web: www.chipsmall.com

Address: A1208, Overseas Decoration Building, #122 Zhenhua RD., Futian, Shenzhen, China

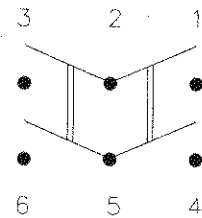
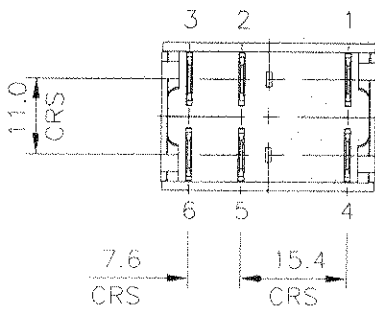




SUITABLE PANEL CUTOUT  
 PANEL THICKNESS  
 4.0 MAX. (WITH BACK NUT)



6.3 x 0.8  
 TAB TERMINALS



SWITCH FUNCTION  
 DOUBLE POLE  
 3 POSITION  
 CENTRE OFF

CP061/FORM-F116 ISS 4

ISSUE/CHANGE			
1	DCR6322	21.04.05	

DIMENSIONS IN MM LIMITS - LINEAR = $\pm 0.3$ - ANGULAR = $\pm 1^\circ$ UNLESS OTHERWISE STATED			
DO NOT SCALE IF IN DOUBT-ASK			
DRAWN	DATE	CHECKED	SCALE
OJD	21.04.05		1 : 1

DRAWN IN ACCORDANCE  
 WITH B.S. 308  
 FOR TECHNICAL INFORMATION  
 SEE CATALOGUE

OUTLINE DRAWING FOR  
**LEVER SWITCH**

**Arcolectric**  
 SWITCHES PLC  
 COPYRIGHT © RESERVED

DRAWING No  
**C3972BA**

A  
 4