



Chipsmall Limited consists of a professional team with an average of over 10 year of expertise in the distribution of electronic components. Based in Hongkong, we have already established firm and mutual-benefit business relationships with customers from,Europe,America and south Asia,supplying obsolete and hard-to-find components to meet their specific needs.

With the principle of “Quality Parts,Customers Priority,Honest Operation,and Considerate Service”,our business mainly focus on the distribution of electronic components. Line cards we deal with include Microchip,ALPS,ROHM,Xilinx,Pulse,ON,Everlight and Freescale. Main products comprise IC,Modules,Potentiometer,IC Socket,Relay,Connector.Our parts cover such applications as commercial,industrial, and automotives areas.

We are looking forward to setting up business relationship with you and hope to provide you with the best service and solution. Let us make a better world for our industry!



Contact us

Tel: +86-755-8981 8866 Fax: +86-755-8427 6832

Email & Skype: info@chipsmall.com Web: www.chipsmall.com

Address: A1208, Overseas Decoration Building, #122 Zhenhua RD., Futian, Shenzhen, China



Type 3R Painted Galvanized Steel Junction Box *C3R SC*

Series

Lift-Off Cover with Screws and w/ Knockouts



Application

- Designed for use as a wiring/junction box.
- Provides protection against rain, sleet, snow and dripping water.

Standards

- UL-50 Type 3R
- CSA Type 3R
- Complies with:
 - NEMA Type 3R
 - IEC 60529, IP24

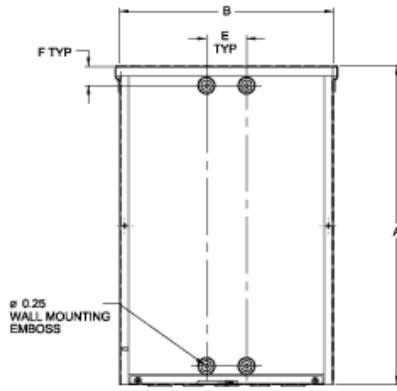
Construction

- Formed and spot welded from 16 or 14 gauge galvanized steel.
- Drip-shield top and seam-free sides, front and back.
- Slip-on removable cover fastened with plated steel screws.
- Door handles on body type C enclosures.
- Embossed mounting holes on back of enclosure.
- Easily removed knockouts on bottom of enclosure.
- Padlocking hasp.
- No Gasket.

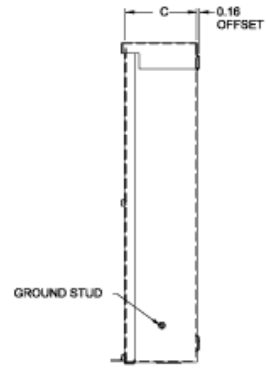
Finish

- Enclosure and cover are finished in ANSI 61 gray powder coating.

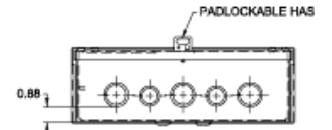
Body Type A



Front View - Cover Removed

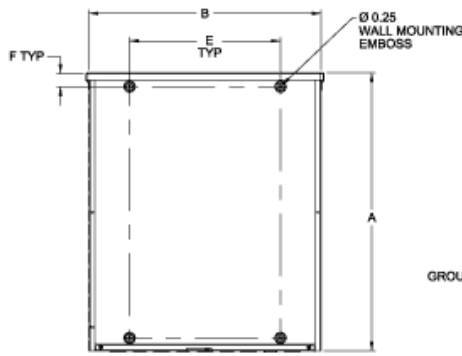


Side View

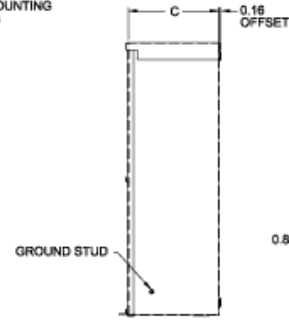


Bottom View
(SEE KNOCKOUT PATTERN FOR DETAILS)

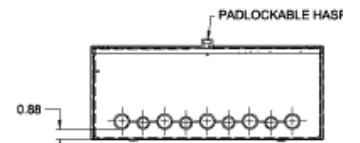
Body Type B



Front View - Cover Removed

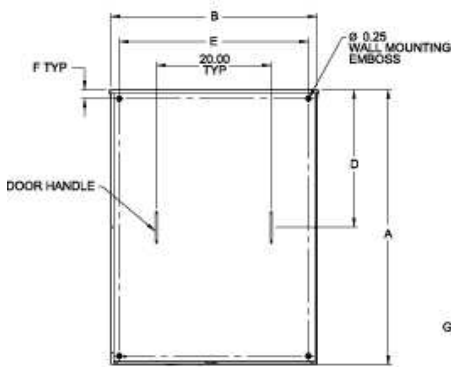


Side View

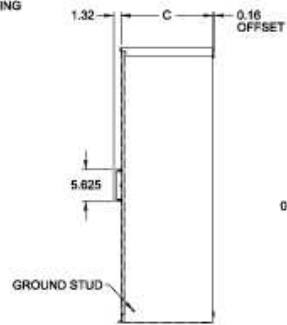


Bottom View
(SEE KNOCKOUT PATTERN FOR DETAILS)

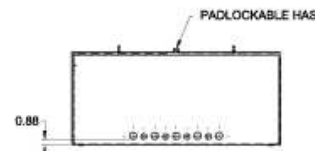
Body Type C



Front View - Cover Removed

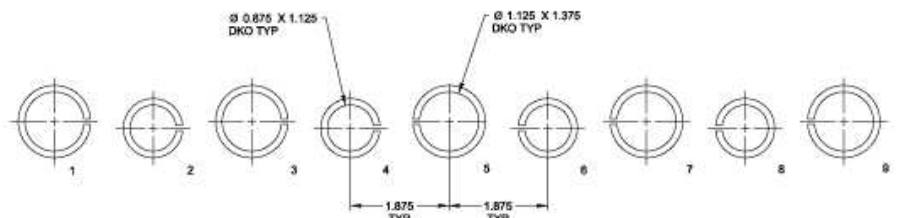


Side View



Bottom View

Knockout Pattern



Part No.	Body Type	A	B	C	D	Mounting		Knockout Pattern	Ship Wt. Lbs
						E	F		
C3R444SC	A	4.00	4.00	4.00	-	1.88	2.00	2-3	2
C3R644SC	A	6.00	4.00	4.00	-	1.88	1.06	2-3	2
C3R1244SC	A	12.00	4.00	4.00	-	1.88	1.06	2-3	3
C3R664SC	A	6.00	6.00	4.00	-	2.25	1.06	2-3-4	4
C3R864SC	A	8.00	6.00	4.00	-	2.25	1.06	2-3-4	5
C3R884SC	A	8.00	8.00	4.00	-	2.25	1.06	6-7-8-9	5
C3R1084SC	A	10.00	8.00	4.00	-	2.25	1.06	6-7-8-9	7
C3R1284SC	A	12.00	8.00	4.00	-	2.25	1.06	6-7-8-9	7
C3R10104SC	A	10.00	10.00	4.00	-	2.25	1.06	3-4-5-6-7	7
C3R12104SC	A	12.00	10.00	4.00	-	2.25	1.06	3-4-5-6-7	9
C3R12124SC	A	12.00	12.00	4.00	-	2.25	1.06	3-4-5-6-7	10
C3R18124SC	A	18.00	12.00	4.00	-	2.25	1.06	3-4-5-6-7	13
C3R18184SC	B	18.00	18.00	4.00	-	13.00	1.12	1-2-3-4-5-6-7-8-9	19
C3R666SC	A	6.00	6.00	6.00	-	2.25	1.06	2-3-4	5
C3R1866SC	A	18.00	6.00	6.00	-	2.25	1.06	2-3-4	12
C3R886SC	A	8.00	8.00	6.00	-	2.25	1.06	6-7-8-9	6
C3R1086SC	A	10.00	8.00	6.00	-	2.25	1.06	6-7-8-9	11
C3R10106SC	A	10.00	10.00	6.00	-	2.25	1.06	3-4-5-6-7	13
C3R1286SC	A	12.00	8.00	6.00	-	2.25	1.06	6-7-8-9	11
C3R12106SC	A	12.00	10.00	6.00	-	2.25	1.06	3-4-5-6-7	12
C3R12126SC	A	12.00	12.00	6.00	-	2.25	1.06	3-4-5-6-7	12
C3R15126SC	A	15.00	12.00	6.00	-	2.25	1.06	3-4-5-6-7	13
C3R16126SC	A	16.00	12.00	6.00	-	2.25	1.06	3-4-5-6-7	14
C3R18126SC	A	18.00	12.00	6.00	-	2.25	1.06	3-4-5-6-7	15
C3R18186SC	B	18.00	18.00	6.00	-	13.00	1.12	1-2-3-4-5-6-7-8-9	16
C3R24126SC	B	24.00	12.00	6.00	-	13.00	1.12	3-4-5-6-7	25
C3R24186SC	B	24.00	18.00	6.00	-	13.00	1.12	1-2-3-4-5-6-7-8-9	33
C3R24246SC	B	24.00	24.00	6.00	-	13.00	1.12	1-2-3-4-5-6-7-8-9	40
C3R888SC	A	8.00	8.00	8.00	-	2.25	1.06	6-7-8-9	8
C3R2488SC	A	24.00	8.00	8.00	-	2.25	1.06	6-7-8-9	17
C3R12128SC	A	12.00	12.00	8.00	-	2.25	1.06	3-4-5-6-7	13
C3R15128SC	A	15.00	12.00	8.00	-	2.25	1.06	3-4-5-6-7	14
C3R18128SC	A	18.00	12.00	8.00	-	2.25	1.06	3-4-5-6-7	19
C3R24168SC	B	24.00	16.00	8.00	-	13.00	1.12	3-4-5-6-7	22
C3R18188SC	B	18.00	18.00	8.00	-	13.00	1.12	1-2-3-4-5-6-7-8-9	25
C3R24188SC	B	24.00	18.00	8.00	-	13.00	1.12	1-2-3-4-5-6-7-8-9	38
C3R24208SC	B	24.00	20.00	8.00	-	13.00	1.12	1-2-3-4-5-6-7-8-9	39
C3R24248SC	C	24.00	24.00	8.00	12.04	13.00	1.12	1-2-3-4-5-6-7-8-9	44
C3R30248SC	C	30.00	24.00	8.00	15.04	13.00	1.12	1-2-3-4-5-6-7-8-9	53
C3R48368SC	C	48.00	36.00	8.00	24.04	33.00	1.50	1-2-3-4-5-6-7-8-9	150
C3R181810SC	C	18.00	18.00	10.00	9.04	13.00	1.12	1-2-3-4-5-6-7-8-9	25
C3R241810SC	C	24.00	18.00	10.00	12.04	13.00	1.12	1-2-3-4-5-6-7-8-9	38
C3R242410SC	C	24.00	24.00	10.00	12.04	13.00	1.12	1-2-3-4-5-6-7-8-9	49
C3R302410SC	C	30.00	24.00	10.00	15.04	13.00	1.50	1-2-3-4-5-6-7-8-9	55
C3R242412SC	C	24.00	24.00	12.00	12.04	13.00	1.12	1-2-3-4-5-6-7-8-9	54
C3R303012SC	C	30.00	30.00	12.00	15.04	27.00	1.50	1-2-3-4-5-6-7-8-9	125
C3R363012SC	C	36.00	30.00	12.00	18.04	27.00	1.50	1-2-3-4-5-6-7-8-9	128
C3R363612SC	C	36.00	36.00	12.00	18.04	33.00	1.50	1-2-3-4-5-6-7-8-9	130
C3R303016SC	C	30.00	30.00	16.00	15.04	27.00	1.50	1-2-3-4-5-6-7-8-9	127
C3R483616SC	C	48.00	36.00	16.00	24.04	33.00	1.50	1-2-3-4-5-6-7-8-9	155

