



Chipsmall Limited consists of a professional team with an average of over 10 year of expertise in the distribution of electronic components. Based in Hongkong, we have already established firm and mutual-benefit business relationships with customers from,Europe,America and south Asia,supplying obsolete and hard-to-find components to meet their specific needs.

With the principle of "Quality Parts,Customers Priority,Honest Operation,and Considerate Service",our business mainly focus on the distribution of electronic components. Line cards we deal with include Microchip,ALPS,ROHM,Xilinx,Pulse,ON,Everlight and Freescale. Main products comprise IC,Modules,Potentiometer,IC Socket,Relay,Connector.Our parts cover such applications as commercial,industrial, and automotives areas.

We are looking forward to setting up business relationship with you and hope to provide you with the best service and solution. Let us make a better world for our industry!



## Contact us

Tel: +86-755-8981 8866 Fax: +86-755-8427 6832

Email & Skype: info@chipsmall.com Web: www.chipsmall.com

Address: A1208, Overseas Decoration Building, #122 Zhenhua RD., Futian, Shenzhen, China



## C4036NL

RF SPLITTER, 2-WAY  
5-1000 MHz  
0-DEG  
IMPEDANCE = 75 OHMS  
SURFACE MOUNT

### ELECTRICAL SPECIFICATIONS: @ 25°C

#### INSERTION LOSS:

FREQUENCY	
5-40 MHz	-4.0 dB MAX
41-500 MHz	-3.7 dB MAX
501-1000 MHz	-4.0 dB MAX

#### INPUT RETURN LOSS:

FREQUENCY	
5-1000 MHz	-16.0 dB MIN

#### OUTPUT RETURN LOSS:

FREQUENCY	
5-1000 MHz	-16.0 dB MIN

#### ISOLATION: (SAMPLE ONLY)

FREQUENCY	
5-400 MHz	-19 dB MIN
401-500 MHz	-16 dB MIN
501-1000 MHz	-10 dB MIN

#### AMPLITUDE BALANCE: (SAMPLE ONLY)

FREQUENCY	
5-40 MHz	-0.6 dB MAX
41-400 MHz	-0.4 dB MAX
401-1000 MHz	-0.6 dB MAX

#### PHASE IMBALANCE: (SAMPLE ONLY)

FREQUENCY	
5-500 MHz	3° MAX
501-1000 MHz	5° MAX

#### NOTES: UNLESS OTHERWISE SPECIFIED

1. OPERATING TEMPERATURE: 0°C TO +70°C
2. STORAGE TEMPERATURE: -20°C TO +125°C
3. JEDEC MOISTURE: LEVEL 1.
4. DIMENSIONS ARE IN INCHES WITH THE FOLLOWING TOLERANCE:  
.XX= ±.02  
.XXX= ±.010
5. OPTIONAL TAPE & REEL PACKAGING CAN BE ORDERED BY ADDING A "T" SUFFIX TO THE PART NUMBER. ie: C4036NLT
6. REVISION LEVEL M10,M11...MX IS FOR A RELEASED PRODUCTS.
7. ROHS COMPLIANT



© Copyright, 2013. Pulse Electronics Corp. All rights reserved. Drawing specifications subject to change without notice. (05/27/13)

PULSE CONFIDENTIAL  
&  
PROPRIETARY

PRODUCT SPECIFICATION:

SPLTR, 2-WAY, 0-DEG, SPLTR; 5-1000MHz, UNTERM

DWG. NO./ PART NO.

C4036NL

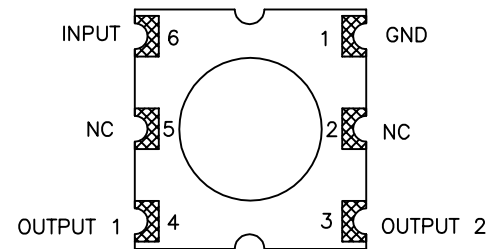
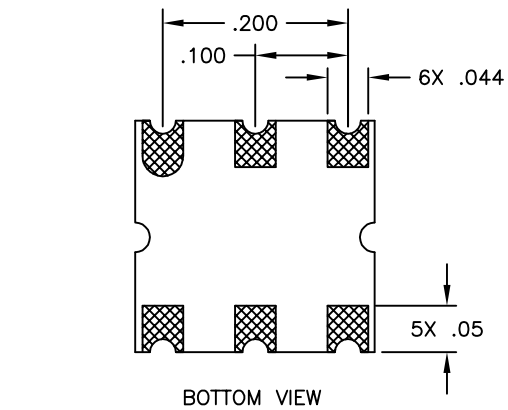
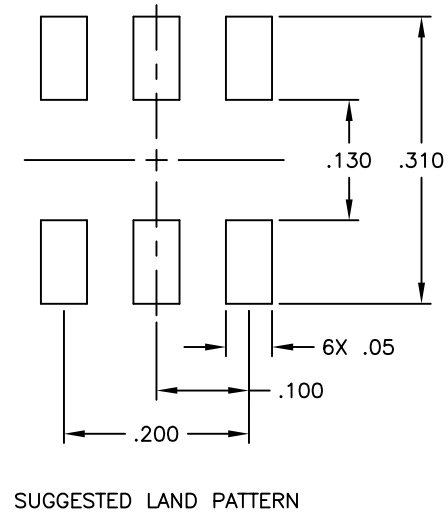
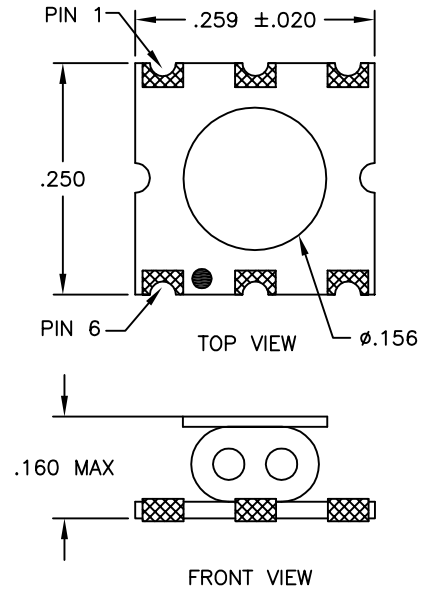
SHEET:

1

REV.

M13

MECHANICAL SPECIFICATIONS:



© Copyright, 2013. Pulse Electronics Corp. All rights reserved. Drawing specifications subject to change without notice. (05/27/13)

PULSE CONFIDENTIAL  
&  
PROPRIETARY

PRODUCT SPECIFICATION:  
SPLTR, 2-WAY, 0-DEG, SPLTR; 5-1000MHz, UNTERM

DWG. NO./ PART NO.	SHEET:	REV.
C4036NL	2	M13