



Chipsmall Limited consists of a professional team with an average of over 10 year of expertise in the distribution of electronic components. Based in Hongkong, we have already established firm and mutual-benefit business relationships with customers from,Europe,America and south Asia,supplying obsolete and hard-to-find components to meet their specific needs.

With the principle of "Quality Parts,Customers Priority,Honest Operation,and Considerate Service",our business mainly focus on the distribution of electronic components. Line cards we deal with include Microchip,ALPS,ROHM,Xilinx,Pulse,ON,Everlight and Freescale. Main products comprise IC,Modules,Potentiometer,IC Socket,Relay,Connector.Our parts cover such applications as commercial,industrial, and automotives areas.

We are looking forward to setting up business relationship with you and hope to provide you with the best service and solution. Let us make a better world for our industry!



Contact us

Tel: +86-755-8981 8866 Fax: +86-755-8427 6832

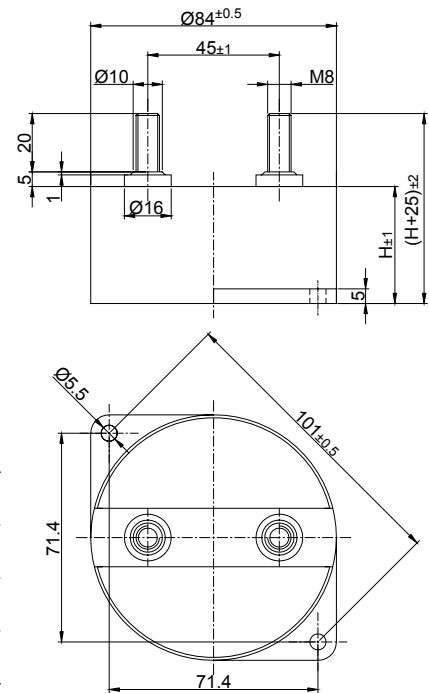
Email & Skype: info@chipsmall.com Web: www.chipsmall.com

Address: A1208, Overseas Decoration Building, #122 Zhenhua RD., Futian, Shenzhen, China



GENERAL TECHNICAL DATA

Reference Standards: IEC 61071 - EN 61071
 Dielectric: Metallized polypropylene film
 Winding: Non-inductive type
 Case: Self extinguishing plastic case UL94 V0
 Terminals: M6 or M8 threaded bolt; also available with threaded female connections
 Construction: dry construction, filled by solid resin
 IEC climatic category: 40/85/21 according to IEC 68-1
 Temperature range (Case): -40 to +85 °C
 Temperature storage: -40 to +105°C



TEST METHODS AND PERFORMANCES

| | |
|---|---|
| Test voltage terminal to terminal (U _{TT}) | 1.5*Un for 10 s at 25°C |
| Test voltage terminal to case (U _{TC}) | 3 KV 50Hz for 2 sec. |
| Capacitance deviation in temperature range (-25..+85°C) | ± 1,5% max on capacitance value at 20°C |
| Installation | Whatever position |

ELECTRICAL CHARACTERISTICS

| | |
|---|---|
| Capacitance | 47 to 380 µF |
| Tolerance | ± 10 % |
| Rated Voltage | 400 to 1000 Vdc |
| dv/dt | 15 to 37 V/µs |
| Repetitive Peak Current | 1739 to 5700 Ap |
| ESR | 0.5 to 1.3 mΩ (at repetition frequency 10KHz) |
| ESL | 25 to 40 nH |
| Derated Voltage and Lifetime expectancy: | 1.2 x Vr @ 85°C ► 1.000 hours 1 x Vr @ 85°C ► 10.000 hours 0.9 x Vr @ 85°C ► 100.000 hours |
| Derated Temperature and Lifetime expectancy | For working temperature between +85°C and +70°C an increasing factor of 0.67 on the rated Lifetime has to be applied. |
| Diameter / Packing Unit | 84mm / 12pcs |

| Code | Vdc V | C µF | H mm | ESL nH | ESR @ 10 kHz mΩ | DV/dt V/us | I _{PKR} A | I _{rms} @ 10 kHz Ambient Temperature | | | | Weight gr |
|-----------------|----------|---------|---------|-----------|--------------------|---------------|-----------------------|--|------|------|------|--------------|
| | | | | | | | | 25°C | 45°C | 65°C | 85°C | |
| C4DEFPQ6175A8TK | 400 | 175 | 40 | 25 | 0.50 | 25 | 4375 | 100 | 100 | 80 | 46 | 283 |
| C4DEFPQ6260A8TK | 400 | 260 | 51 | 32 | 0.62 | 20 | 5200 | 100 | 100 | 77 | 45 | 349 |
| C4DEFPQ6380A8TK | 400 | 380 | 64 | 40 | 0.81 | 15 | 5700 | 100 | 94 | 73 | 42 | 419 |
| C4DEHPQ6100A8TK | 600 | 100 | 40 | 25 | 0.60 | 30 | 3000 | 100 | 93 | 72 | 42 | 286 |
| C4DEHPQ6150A8TK | 600 | 150 | 51 | 32 | 0.75 | 25 | 3750 | 100 | 90 | 70 | 40 | 353 |
| C4DEHPQ6220A8TK | 600 | 220 | 64 | 40 | 1.00 | 20 | 4400 | 100 | 85 | 65 | 38 | 424 |
| C4DEIPQ5680A8TK | 800 | 68 | 40 | 25 | 0.70 | 35 | 2380 | 100 | 87 | 68 | 40 | 284 |
| C4DEIPQ6100A8TK | 800 | 100 | 51 | 32 | 0.90 | 30 | 3000 | 100 | 84 | 65 | 37 | 350 |
| C4DEIPQ6140A8TK | 800 | 140 | 64 | 40 | 1.20 | 25 | 3500 | 91 | 77 | 60 | 35 | 425 |
| C4DENPQ5470A8TK | 1000 | 47 | 40 | 25 | 0.80 | 37 | 1739 | 96 | 81 | 63 | 36 | 282 |
| C4DENPQ5680A8TK | 1000 | 68 | 51 | 32 | 1.10 | 32 | 2176 | 92 | 77 | 60 | 35 | 352 |
| C4DENPQ6100A8TK | 1000 | 100 | 64 | 40 | 1.30 | 27 | 2700 | 86 | 72 | 56 | 32 | 422 |

Statements of suitability for certain applications are based on our knowledge of typical operating conditions for such applications, but are not intended to constitute – and we specifically disclaim – any warranty concerning suitability for a specific customer application or use. This Information is intended for use only by customers who have the requisite experience and capability to determine the correct products for their application. Any technical advice inferred from this Information or otherwise provided by us with reference to the use of our products is given gratis, and we assume no obligation or liability for the advice given or results obtained.