



Chipsmall Limited consists of a professional team with an average of over 10 year of expertise in the distribution of electronic components. Based in Hongkong, we have already established firm and mutual-benefit business relationships with customers from,Europe,America and south Asia,supplying obsolete and hard-to-find components to meet their specific needs.

With the principle of "Quality Parts,Customers Priority,Honest Operation,and Considerate Service",our business mainly focus on the distribution of electronic components. Line cards we deal with include Microchip,ALPS,ROHM,Xilinx,Pulse,ON,Everlight and Freescale. Main products comprise IC,Modules,Potentiometer,IC Socket,Relay,Connector.Our parts cover such applications as commercial,industrial, and automotives areas.

We are looking forward to setting up business relationship with you and hope to provide you with the best service and solution. Let us make a better world for our industry!



Contact us

Tel: +86-755-8981 8866 Fax: +86-755-8427 6832

Email & Skype: info@chipsmall.com Web: www.chipsmall.com

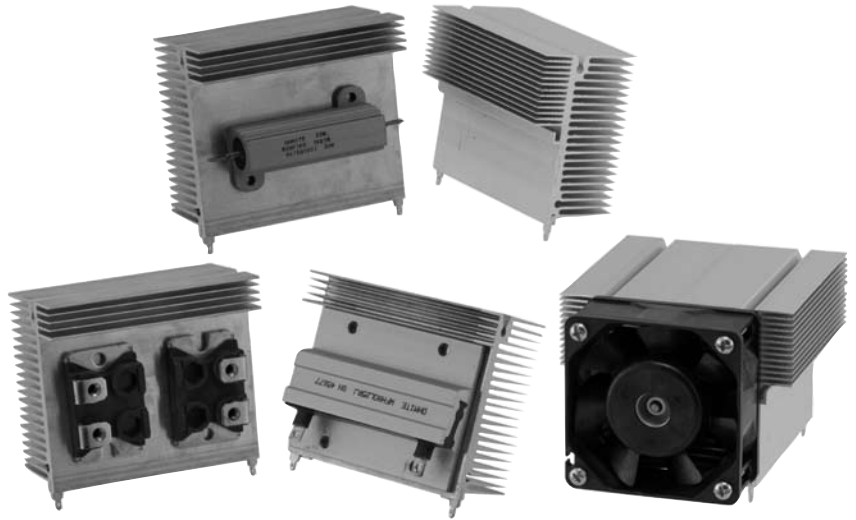
Address: A1208, Overseas Decoration Building, #122 Zhenhua RD., Futian, Shenzhen, China



B60/C60 Series

Heat Sink System

Ohmite introduces the powerful B60/C60 series heatsink with cam clip (Pat. Pending) or custom mounting. This series offers flexible, high performance and compact heat sink with exchangeable cam clip system for TO-247 and TO-264 devices. The built in lip is provided for mounting ease. The optional B series can be tapped for popular Ohmite resistors or other devices. These powerful heat sinks can be thru-hole soldered as a single or dual unit. The dual unit can be mated to a 60mm fan for greater thermal performance. It is the ideal type of heat sink for high power density and small size (3U or 4U) electronic packaging with forced convection.



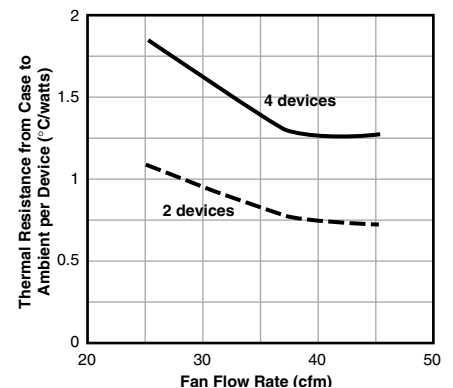
SERIES SPECIFICATIONS

Heatsink Part Number	Surface Area (in ² / mm ²)	Weight (oz / g)	Length L (mm)	
C60-075-VE	177 / 114,300	5.7 / 163	75	<i>consult factory for alternate lengths and clip combinations</i>
C60-075-AE				
B60-075-VE	177 / 114,300	5.7 / 163	75	
B60-075-AE				

CHARACTERISTICS

Heat Sink	Aluminum Alloy 6063-T5 or Equivalent with either degreased or black anodized finish.
Spring Clip	Music Wire, Per ASTM A228 with bright nickel plating
Solder Foot	Cold-rolled Steel, Per ASTM A-366 with pure tin over copper strike. RoHS compliant.
Fan	60mm fan with 4 self-tapping M3.5 screws
Interface Thermal Resistance	For improvement, use thermal joint compound, 0.005 Grafoil (TGon 800 by Laird), or phase change material (Hi-Flow by Bergquist Insulator (Optional) Sil-Pad 900-S, K6 800-S and K10 by Bergquist

Heat Dissipation

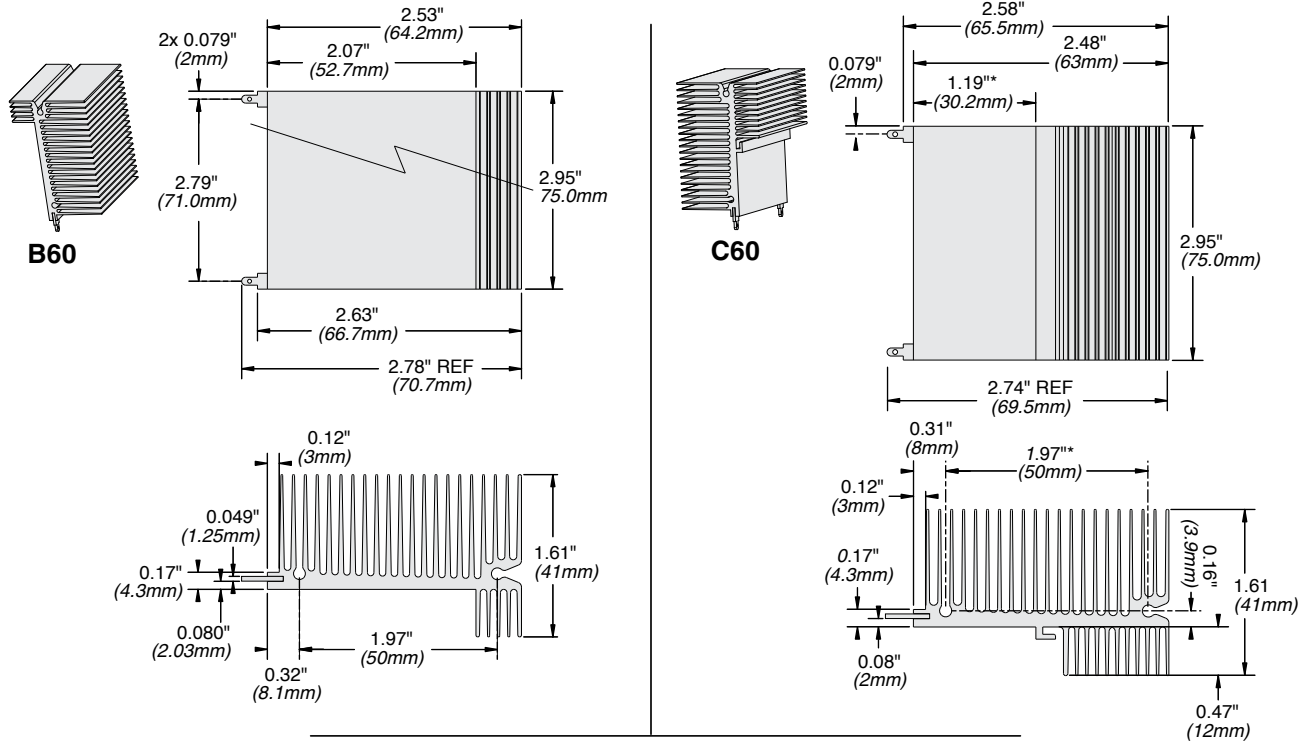


(continued)

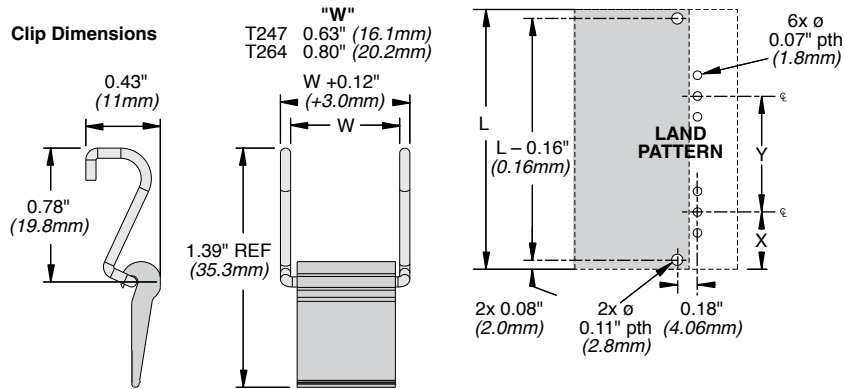
B60/C60 Series

Heat Sink System

DIMENSIONS



NOTE: Due to possible screw torquing on long extrusions, Customer should check for coplanarity prior to final assembly or soldering.



HOW TO ORDER

Heatsink

RoHS compliant

C 6 0 X X - 0 5 8 - A E

Series	Hole pattern	Length (mm)	Finish
B = without lip	(optional)		A = black anodized
C = with lip			V = degreased

Clip

C L A - T 2 4 7 - 2 1 E

Clip series	Device type	Standard configuration	RoHS compliant
	T247 = TO-247		
	T264 = TO-264		