



Chipsmall Limited consists of a professional team with an average of over 10 year of expertise in the distribution of electronic components. Based in Hongkong, we have already established firm and mutual-benefit business relationships with customers from,Europe,America and south Asia,supplying obsolete and hard-to-find components to meet their specific needs.

With the principle of “Quality Parts,Customers Priority,Honest Operation,and Considerate Service”,our business mainly focus on the distribution of electronic components. Line cards we deal with include Microchip,ALPS,ROHM,Xilinx,Pulse,ON,Everlight and Freescale. Main products comprise IC,Modules,Potentiometer,IC Socket,Relay,Connector.Our parts cover such applications as commercial,industrial, and automotives areas.

We are looking forward to setting up business relationship with you and hope to provide you with the best service and solution. Let us make a better world for our industry!



## Contact us

Tel: +86-755-8981 8866 Fax: +86-755-8427 6832

Email & Skype: info@chipsmall.com Web: www.chipsmall.com

Address: A1208, Overseas Decoration Building, #122 Zhenhua RD., Futian, Shenzhen, China



# PRODUCT DATASHEET

## PART NUMBER: C6329NL

- Diplexer 5-42/88-1002 MHz
- Impedance = 75 Ohms
- DOCSIS 3.0 Compliant
- Metal Housing, Through Hole
- RoHS Compliant

### Electrical Specifications @ 25°C

#### INSERTION LOSS : COMMON TO LOWPASS

5-42 MHz	54-50 MHz	60-80 MHz	88-135 MHz	135-1002 MHz					
1.5 dB Max	45 dB Min	46 dB Min	58 dB Min	48 dB Min					

#### INSERTION LOSS : COMMON TO HIGHPASS

5-42 MHz	54-60 MHz	88-1002 MHz							
57 dB Min	45 dB Min	1.5 dB Max							

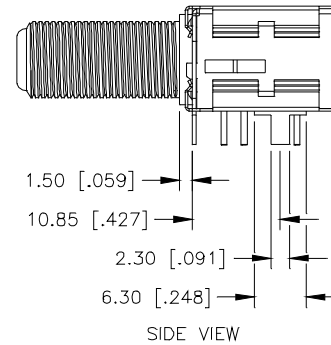
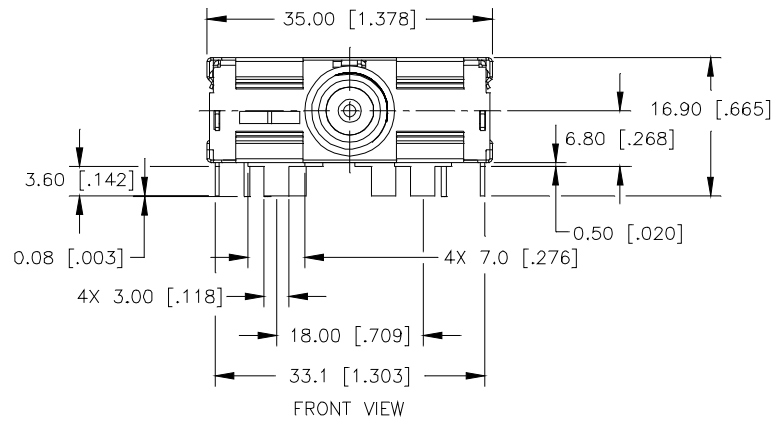
#### ISOLATION: HIGHPASS TO LOWPASS

5-42 MHz	54-88 MHz	88-135 MHz	135-1002 MHz						
58 dB Min	45 dB Min	58 dB Min	45 dB Min						

#### RETURN LOSS:

5-42 MHz	88-1002 MHz								
12 dB Min	9 dB Min								

## Mechanical Specifications



DIMENSIONS	mm [INCH]
TOLERANCES	.X = ±0.3 [±.012]
	.XX = ±0.30 [±.012]

DESIGNATIONS	
COMMON PORT (CP)	FC
HIGHPASS	PIN 1
LOWPASS	PIN 3
GROUND (GND)	PINS 2 & 4

