



Chipsmall Limited consists of a professional team with an average of over 10 year of expertise in the distribution of electronic components. Based in Hongkong, we have already established firm and mutual-benefit business relationships with customers from,Europe,America and south Asia,supplying obsolete and hard-to-find components to meet their specific needs.

With the principle of “Quality Parts,Customers Priority,Honest Operation,and Considerate Service”,our business mainly focus on the distribution of electronic components. Line cards we deal with include Microchip,ALPS,ROHM,Xilinx,Pulse,ON,Everlight and Freescale. Main products comprise IC,Modules,Potentiometer,IC Socket,Relay,Connector.Our parts cover such applications as commercial,industrial, and automotives areas.

We are looking forward to setting up business relationship with you and hope to provide you with the best service and solution. Let us make a better world for our industry!



## Contact us

Tel: +86-755-8981 8866 Fax: +86-755-8427 6832

Email & Skype: info@chipsmall.com Web: www.chipsmall.com

Address: A1208, Overseas Decoration Building, #122 Zhenhua RD., Futian, Shenzhen, China



# PRODUCT DATASHEET

## PART NUMBER: C6330NL

- Diplexer 10-55/90-1002 MHz
- Impedance = 75 Ohms
- DOCSIS 3.0 Compliant
- Metal Housing, Through Hole
- RoHS Compliant

### Electrical Specifications @ 25°C

#### INSERTION LOSS : COMMON TO LOWPASS

10-55 MHz	70-90 MHz	90-165 MHz	165-770 MHz	770-1002 MHz					
1.5 dB Max	45 dB Min	55 dB Min	50 dB Min	45 dB Min					

#### INSERTION LOSS : COMMON TO HIGHPASS

10-55 MHz	90-1002 MHz								
55 dB Min	1.0 dB Max								

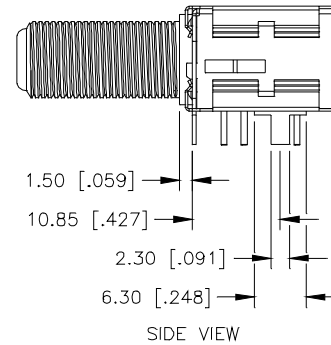
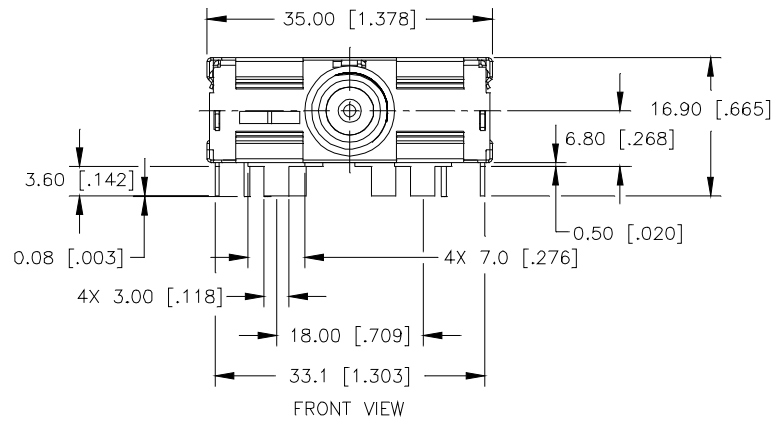
#### ISOLATION: HIGHPASS TO LOWPASS

10-55 MHz	70-90 MHz	90-165 MHz	165-1002 MHz						
55 dB Min	45 dB Min	55 dB Min	45 dB Min						

#### RETURN LOSS:

10-55 MHz	90-1002 MHz								
12 dB Min	12 dB Min								

## Mechanical Specifications



DIMENSIONS	mm [INCH]
TOLERANCES	.X = ±0.3 [±.012] .XX = ±0.30 [±.012]

DESIGNATIONS	
COMMON PORT (CP)	FC
HIGHPASS	PIN 1
LOWPASS	PIN 3
GROUND (GND)	PINS 2 & 4

