



Chipsmall Limited consists of a professional team with an average of over 10 year of expertise in the distribution of electronic components. Based in Hongkong, we have already established firm and mutual-benefit business relationships with customers from,Europe,America and south Asia,supplying obsolete and hard-to-find components to meet their specific needs.

With the principle of "Quality Parts,Customers Priority,Honest Operation,and Considerate Service",our business mainly focus on the distribution of electronic components. Line cards we deal with include Microchip,ALPS,ROHM,Xilinx,Pulse,ON,Everlight and Freescale. Main products comprise IC,Modules,Potentiometer,IC Socket,Relay,Connector.Our parts cover such applications as commercial,industrial, and automotives areas.

We are looking forward to setting up business relationship with you and hope to provide you with the best service and solution. Let us make a better world for our industry!



## Contact us

Tel: +86-755-8981 8866 Fax: +86-755-8427 6832

Email & Skype: info@chipsmall.com Web: www.chipsmall.com

Address: A1208, Overseas Decoration Building, #122 Zhenhua RD., Futian, Shenzhen, China

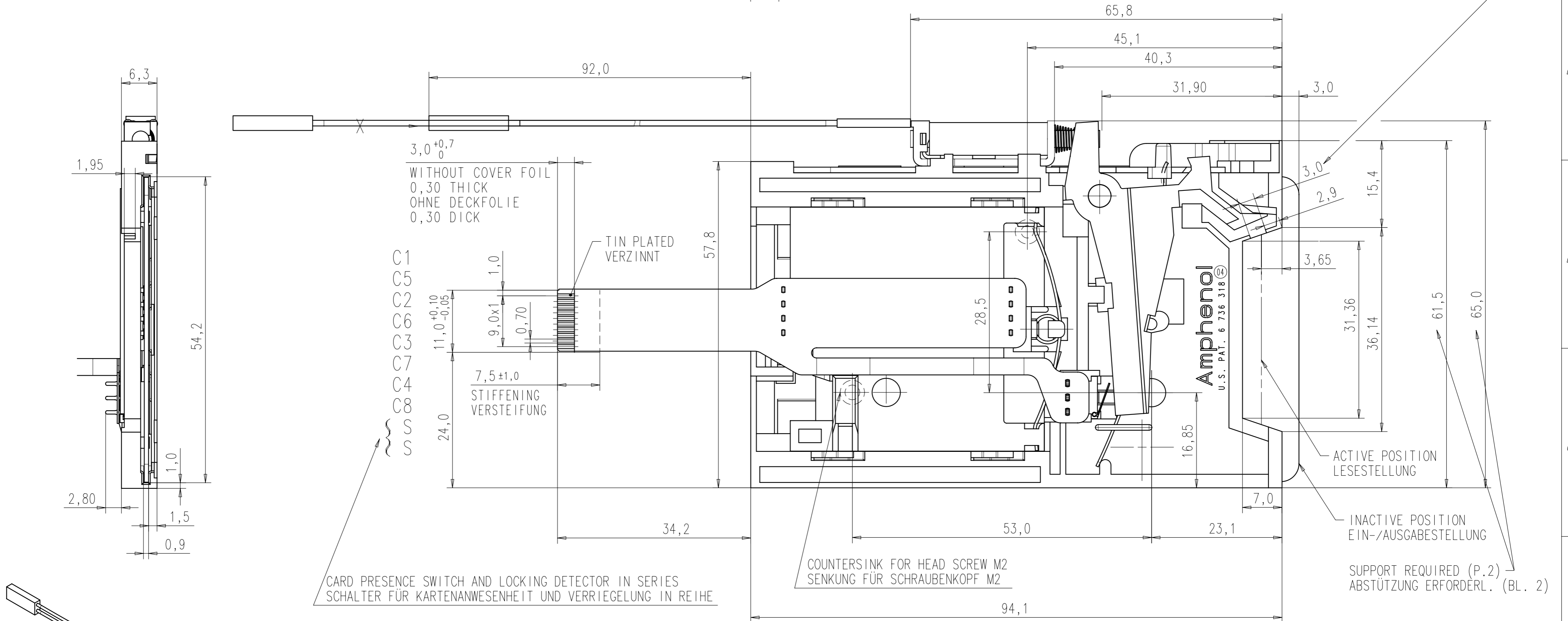


VIEW X  
ANSICHT X

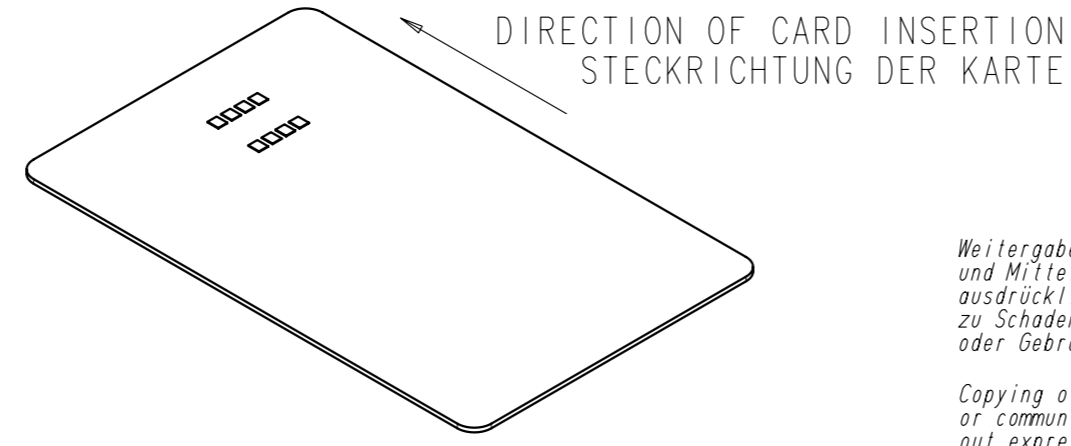
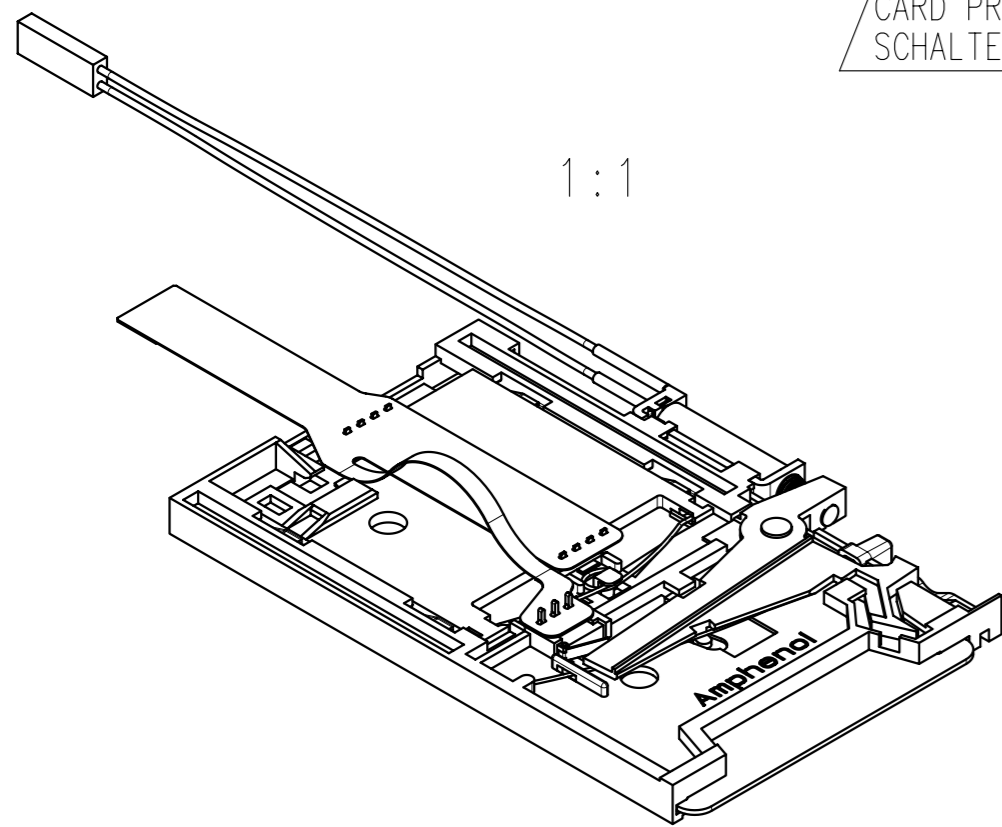
SUPPORT REQUIRED (P.2)  
ABSTÜTZUNG ERFORDERLICH (BL. 2)

2,54  
SOCKET FOR HEADER 0,63x0,63  
BUCHSENLEISTE FÜR  
PFOSTENVERBINDER 0,63x0,63

OPENING FOR UNLOCKING DURING LOSS OF POWER  
ÖFFNUNG FÜR NOTENTRIEGLUNG BEI STROMAUSFALL



CARD PRESENCE SWITCH AND LOCKING DETECTOR IN SERIES  
SCHALTER FÜR KARTENANWESENHEIT UND VERRIEGELUNG IN REIHE



Weitergabe sowie Vervielfältigung dieser Unterlage, Verwertung und Mitteilung ihres Inhalts nicht gestattet, soweit nicht ausdrücklich zugestanden. Zuwiderhandlungen verpflichten zu Schadenersatz. Alle Rechte für den Fall der Patenterteilung oder Gebrauchsmuster-Eintragung vorbehalten.

Copying of this document and giving it to others and the use or communication of the contents thereof, are forbidden without express authority. Offenders are liable to the payment of damages. All rights are reserved in the event of the grant of a patent or the registration of the utility model or design.

Gewicht:	g (errechnet)	Zul. Abw.:	Maßstab	2:1 (1:1)	A2	Order information: C702 10M008 901 4 Bestell. N: C702 10M008 901 4
Prüfmaß			DIN 6784			PUSHMATIC LOW PROFILE PUSHMATIC FLACHE BAUFORM <sup>®</sup> 5V without debris slot (with bottom) <sup>®</sup> 5V ohne Entsorgungsschacht (mit Boden) <sup>®</sup>
		01 Datum Name				M C702 10M008 901 4
		Gez. 26.07. TOL.				Blatt 1
		Bearb.				2 Bl.
		Gepr.				
		Norm.				
04	200400483	01.09.04 MM	Amphenol-Tuchel Electronics GmbH			
03		19.12.02 Sie.				
02		19.04.02 Sie.				
01		26.07.01 TOL				
Zust.	Änderung	Datum	Name	Ers. f.:		