



Chipsmall Limited consists of a professional team with an average of over 10 year of expertise in the distribution of electronic components. Based in Hongkong, we have already established firm and mutual-benefit business relationships with customers from,Europe,America and south Asia,supplying obsolete and hard-to-find components to meet their specific needs.

With the principle of "Quality Parts,Customers Priority,Honest Operation,and Considerate Service",our business mainly focus on the distribution of electronic components. Line cards we deal with include Microchip,ALPS,ROHM,Xilinx,Pulse,ON,Everlight and Freescale. Main products comprise IC,Modules,Potentiometer,IC Socket,Relay,Connector.Our parts cover such applications as commercial,industrial, and automotives areas.

We are looking forward to setting up business relationship with you and hope to provide you with the best service and solution. Let us make a better world for our industry!



Contact us

Tel: +86-755-8981 8866 Fax: +86-755-8427 6832

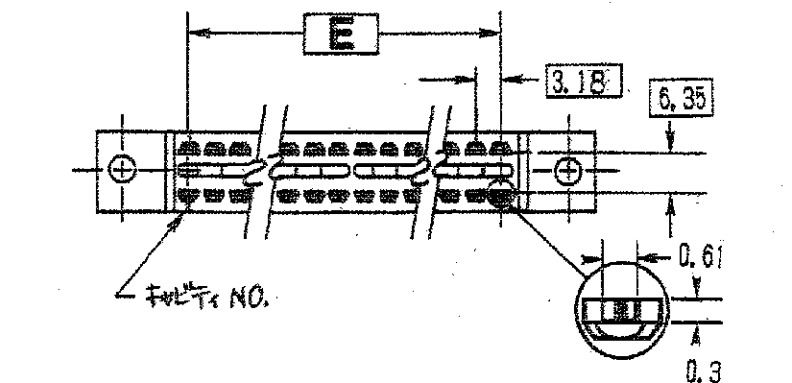
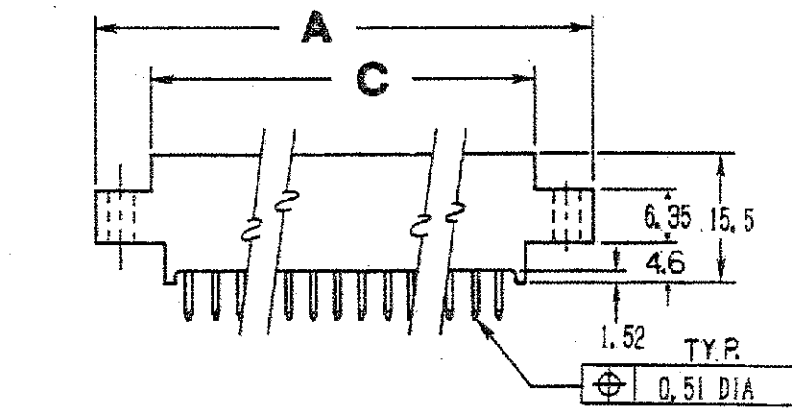
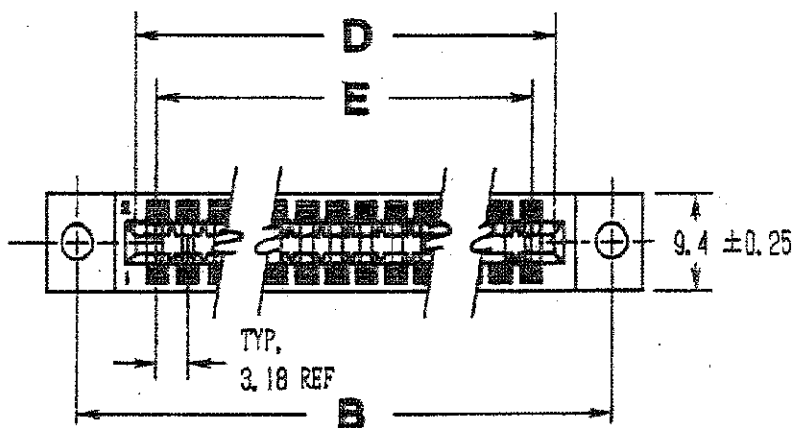
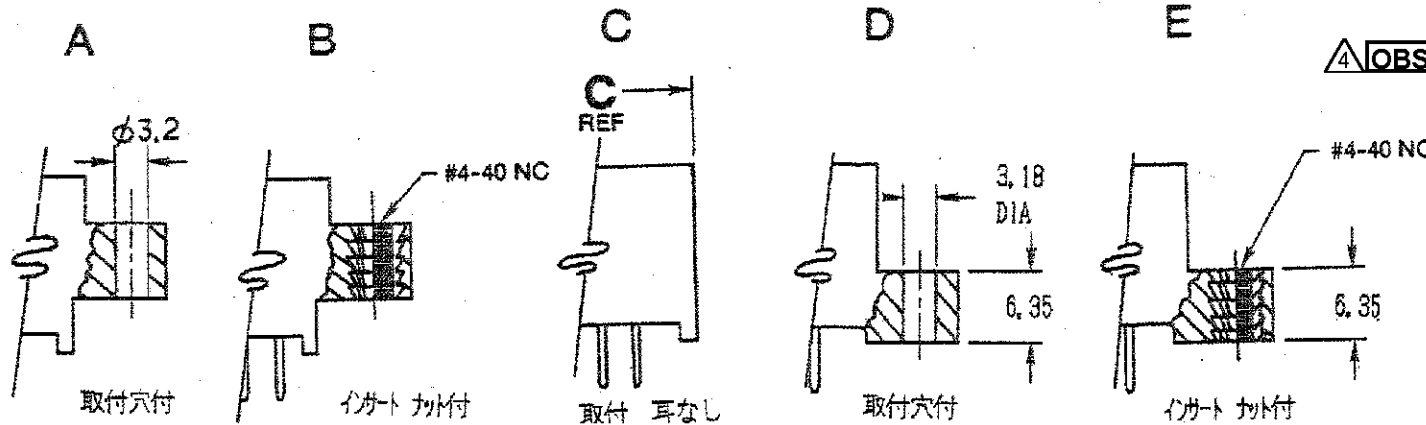
Email & Skype: info@chipsmall.com Web: www.chipsmall.com

Address: A1208, Overseas Decoration Building, #122 Zhenhua RD., Futian, Shenzhen, China

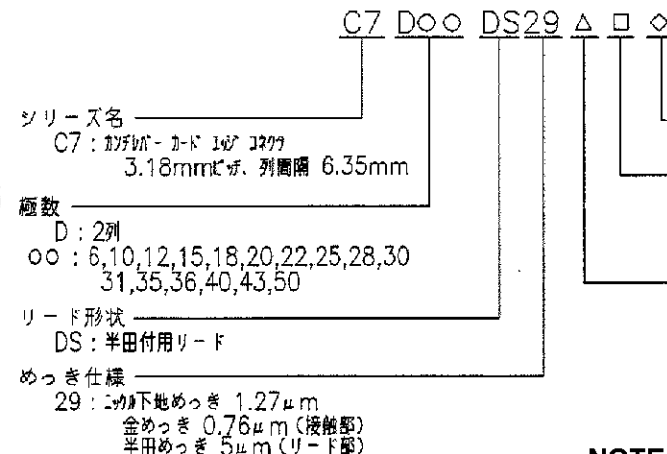


P	LTR	DESCRIPTION	DATE	DWN	APVD
0		Released(FJ00-1640-00)	-	(K.T)	K.S
01		REVISION PER ECO-09-026495	30NOV09	KK	AEG

マウンティング スタイル



旧型番記載の説明



シリーズ名 C7: カードエッジコネクタ
3.18mmピッチ、列間隔 6.35mm

極数 D: 2列
○○: 6,10,12,15,18,20,22,25,28,30,31,35,36,40,43,50

リード形状 DS: 半田付用リード

めっき仕様 29: ニッケル下地めっき 1.27μm
金めっき 0.76μm (接触部)
半田めっき 5μm (リード部)

型番	旧型番	型番	旧型番	型番	旧型番
1437274-3	C7 D06DS29 △□◇	3-1437274-3	C7 D28DS29 A1	3-1437274-6	C7 D40DS29 △□◇
1437274-4	C7 D10DS29 △□◇	3-1437274-4	C7 D28DS29 A3	3-1437274-7	C7 D40DS29 C1
1437274-5	C7 D10DS29 C1M133	1-1437274-5	C7 D28DS29 A3M199	3-1437274-8	C7 D40DS29 D3
1437274-6	C7 D12DS29 △□◇	3-1437274-6	C7 D28DS29 B3	3-1437274-9	C7 D43DS29 △□◇
1437274-7	C7 D15DS29 △□◇	3-1437274-7	C7 D28DS29 C1	3-1437274-0	C7 D43DS29 C1
1437274-8	C7 D15DS29 C1	1-1437274-8	C7 D28DS29 C3	4-1437274-0	C7 D43DS29 C3
1437274-9	C7 D15DS29 C1M192	1-1437274-9	C7 D28DS29 D1	4-1437274-1	C7 D43DS29 D4
1-1437274-0	C7 D18DS29 △□◇	2-1437274-0	C7 D28DS29 D3	4-1437274-2	C7 D50DS29 △□◇
1-1437274-1	C7 D18DS29 C1M133	2-1437274-1	C7 D28DS29 E1M192	4-1437274-3	C7 D50DS29 A1M192
	C7 D20DS29 △□◇	2-1437274-2	C7 D28DS29 E3	4-1437274-3	C7 D50DS29 A3
	C7 D22DS29 △□◇	2-1437274-4	C7 D30DS29 △□◇	5-1437263-1	C7 D50DS29 B3
1437274-9	C7 D22DS29 C1	2-1437274-5	C7 D30DS29 A3	4-1437274-4	C7 D50DS29 C1
1-1437274-0	C7 D22DS29 D3	2-1437274-6	C7 D30DS29 C3	4-1437274-5	C7 D50DS29 C3
	C7 D25DS29 △□◇	1447210-1	C7 D30DS29 C4	4-1437274-6	C7 D50DS29 C4
1-1437274-1	C7 D25DS29 C1		C7 D30DS29 D3	4-1437274-7	C7 D50DS29 C4M199
			C7 D31DS29 △□◇	4-1437274-8	C7 D50DS29 D3
			C7 D31DS29 A3	4-1437274-9	C7 D50DS29 D3M199
			C7 D31DS29 C3	5-1437274-0	C7 D50DS29 E1
			C7 D35DS29 △□◇		
			C7 D35DS29 C1		
			C7 D36DS29 △□◇		
			C7 D36DS29 C1		
			C7 D36DS29 C3		
			C7 D36DS29 D3		

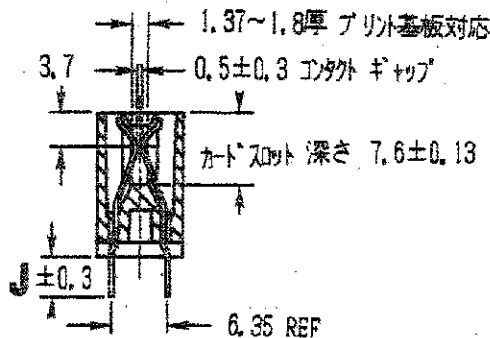
特殊品コード M+数字3桁: M192 キング加工品

リード長 "J"
1: 3.3mm
3: 4.1mm
4: 5.6mm

マウンティングスタイル
A: φ3.2取付穴付
B: 17°傾斜 #4-40 イカサカ付
C: 取付耳なし
D: φ3.2取付穴付 (基板直付用)
E: 17°傾斜 #4-40 イカサカ付 (基板直付用)

NOTE

- 注 1. 一般公差: ±0.3
2. 材質
ハウジング: ガラス強化熱可塑性樹脂 (UL94V-0)
コンタクト: リン青銅
- △ OBSOLETE
△ OBSOLETE PARTS: OBSOLETE CIS STREAMLINING PER D.RENAUD/D.SINISI



型番	旧型番	極数	A±0.25	B±0.2	C±0.25	D±0.127	E BSC	備考
上記参照	C7 D06DS29 △□◇	6/12	39.5	32.9	26.3	22.2	15.9	
上記参照	C7 D10DS29 △□◇	10/20	52.2	45.6	39.0	34.9	28.6	
上記参照	C7 D12DS29 △□◇	12/24	58.5	51.9	45.3	41.3	34.9	
上記参照	C7 D15DS29 △□◇	15/30	68.1	61.5	54.9	50.8	44.5	
上記参照	C7 D18DS29 △□◇	18/36	77.6	71.0	64.4	60.3	54.0	
上記参照	C7 D20DS29 △□◇	20/40	83.9	77.3	70.7	66.7	60.3	
上記参照	C7 D22DS29 △□◇	22/44	90.3	83.7	77.1	73.0	66.7	
上記参照	C7 D25DS29 △□◇	25/50	99.8	93.2	86.6	82.6	76.2	
上記参照	C7 D28DS29 △□◇	28/56	109.3	102.7	96.1	92.1	85.7	
上記参照	C7 D30DS29 △□◇	30/60	115.7	109.1	102.5	98.4	92.1	
上記参照	C7 D31DS29 △□◇	31/62	118.9	112.3	105.7	101.6	95.3	
上記参照	C7 D35DS29 △□◇	35/70	131.6	125.0	118.4	114.3	108.0	
上記参照	C7 D36DS29 △□◇	36/72	134.7	128.1	121.5	117.5	111.1	
上記参照	C7 D40DS29 △□◇	40/80	147.4	140.8	134.2	130.2	123.8	
上記参照	C7 D43DS29 △□◇	43/86	157.0	150.4	143.8	139.7	133.4	
上記参照	C7 D50DS29 △□◇	50/100	179.2	172.6	166.0	161.9	155.6	

THIS DRAWING IS A CONTROLLED DOCUMENT.

DIMENSIONS: MM

TOLERANCES UNLESS OTHERWISE SPECIFIED:
0 PLC ± -
1 PLC ± -
2 PLC ± -
3 PLC ± -
4 PLC ± -
ANGLES ± -

MATERIAL: - FINISH: -

APVD: K. Shinada 16 NOV 09

PRODUCT SPEC: - APPLICATION SPEC: - WEIGHT: -

CUSTOMER DRAWING

AMP Tyco Electronics AMP K.K. Kawasaki, Japan

NAME: カードエッジコネクタ C7-DS リーズ
CARD EDGE CONNECTOR C7-DS SERIES

SIZE: A3 CAGE CODE: 00779 DRAWING NO: 1437274-3 RESTRICTED TO: -

SCALE: 1:1 SHEET: 1 OF 1 REV: 01