



Chipsmall Limited consists of a professional team with an average of over 10 year of expertise in the distribution of electronic components. Based in Hongkong, we have already established firm and mutual-benefit business relationships with customers from,Europe,America and south Asia,supplying obsolete and hard-to-find components to meet their specific needs.

With the principle of “Quality Parts,Customers Priority,Honest Operation,and Considerate Service”,our business mainly focus on the distribution of electronic components. Line cards we deal with include Microchip,ALPS,ROHM,Xilinx,Pulse,ON,Everlight and Freescale. Main products comprise IC,Modules,Potentiometer,IC Socket,Relay,Connector.Our parts cover such applications as commercial,industrial, and automotives areas.

We are looking forward to setting up business relationship with you and hope to provide you with the best service and solution. Let us make a better world for our industry!



## Contact us

Tel: +86-755-8981 8866 Fax: +86-755-8427 6832

Email & Skype: info@chipsmall.com Web: www.chipsmall.com

Address: A1208, Overseas Decoration Building, #122 Zhenhua RD., Futian, Shenzhen, China



THE INFORMATION CONTAINED HEREIN IS CONSIDERED "PROPRIETARY" TO BEL FUSE INC. AND SHALL NOT BE COPIED, REPRODUCED OR DISCLOSED WITHOUT THE WRITTEN APPROVAL OF BEL FUSE INC.

RoHS



LED 2 & 4 POLARITY			LED 1 & 3 POLARITY		
PIN 11	PIN 12	COLOR	PIN 13	PIN 14	COLOR
+	-	YELLOW	+	-	YELLOW
-	+	GREEN	-	+	GREEN

ELECTRICAL CHARACTERISTICS @ 25°C

URNS RATIO

TP1	1CT : 1CT ±2%
TP2	1CT : 1CT ±2%
TP3	1CT : 1CT ±2%
TP4	1CT : 1CT ±2%

□CL @ 100kHz/100mVRMS

8mA DC BIAS

350µH MIN.

INS. LOSS

0.1MHz TO 1MHz	-1.1 dB MAX
1MHz TO 65MHz	-0.5 dB MAX
65MHz TO 100MHz	-0.8 dB MAX
100MHz TO 125MHz	-1.2 dB MAX

RET. LOSS (MIN)

0.5MHz-40MHz	-18 dB
40MHz-100MHz	-12+20LOG(f/80MHz) dB

CM TO CM REJ

100kHz - 100MHz	-30 dB MIN
-----------------	------------

CM TO DM REJ

100kHz - 100MHz	-35 dB MIN
-----------------	------------

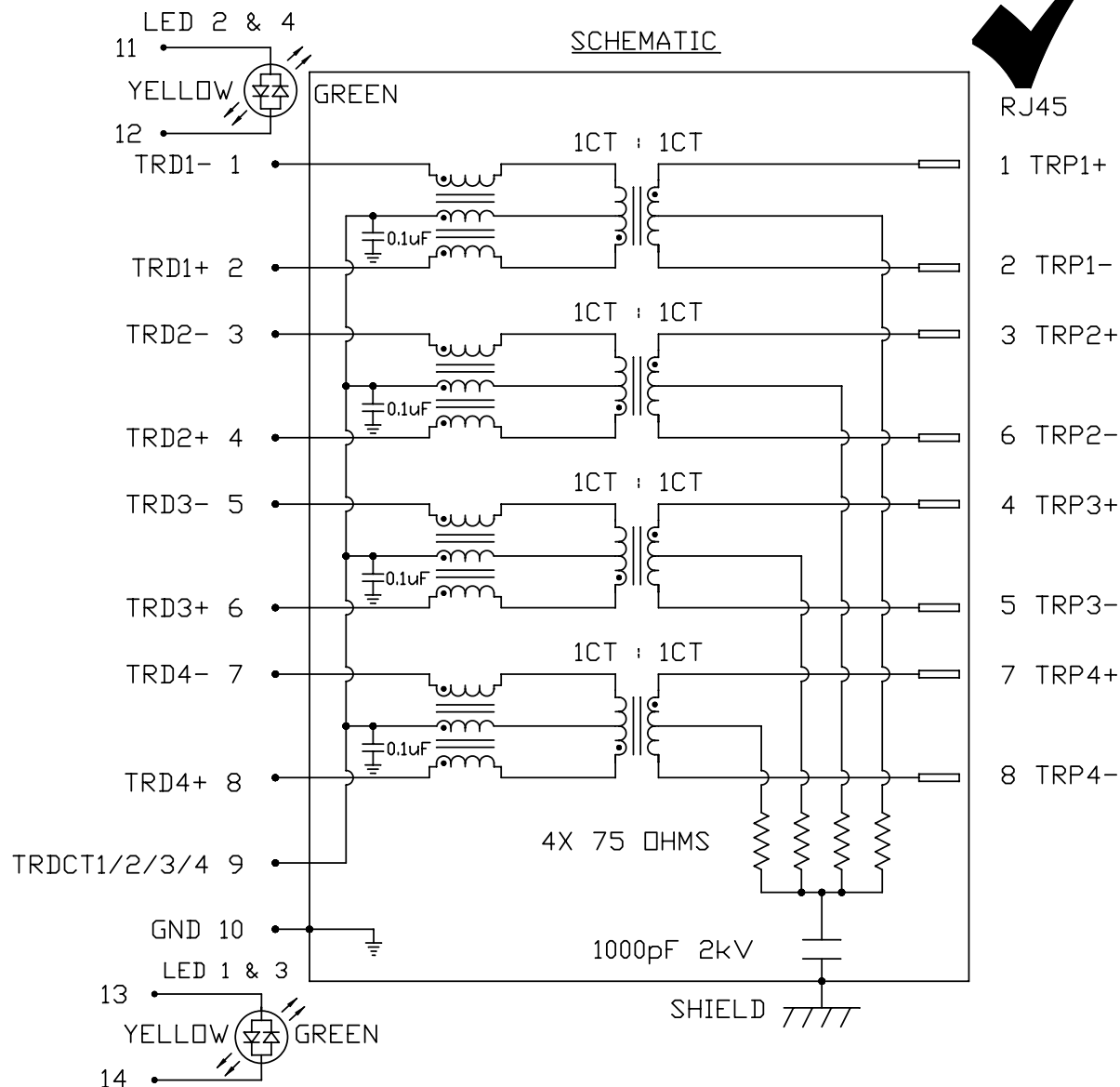
HIPOT (Isolation Voltage):

1500 Vrms

100% OF PRODUCTION TESTED TO COMPLY WITH IEEE 802.3 ISOLATION REQUIREMENTS.

LED 1,LED 2,LED 3 & LED 4

VF (FORWARD VOLTAGE)	IF=20mA	GREEN	2.2V TYP.
		YELLOW	2.1V TYP.
λD (DOMINANT WAVELENGTH)	IF=20mA	GREEN	565nm TYP.
		YELLOW	590nm TYP.



ORIGINATED BY	DATE
CHOW WANCHUNG	2012-08-29
DRAWN BY	DATE
TAN QIGUANG	2012-08-29

TITLE
2X2 gigabit MagJack® PATENTED

PART NO. / DRAWING NO.
C850-2C2R-54
FILE NAME
C850-2C2R-54_C.DWG

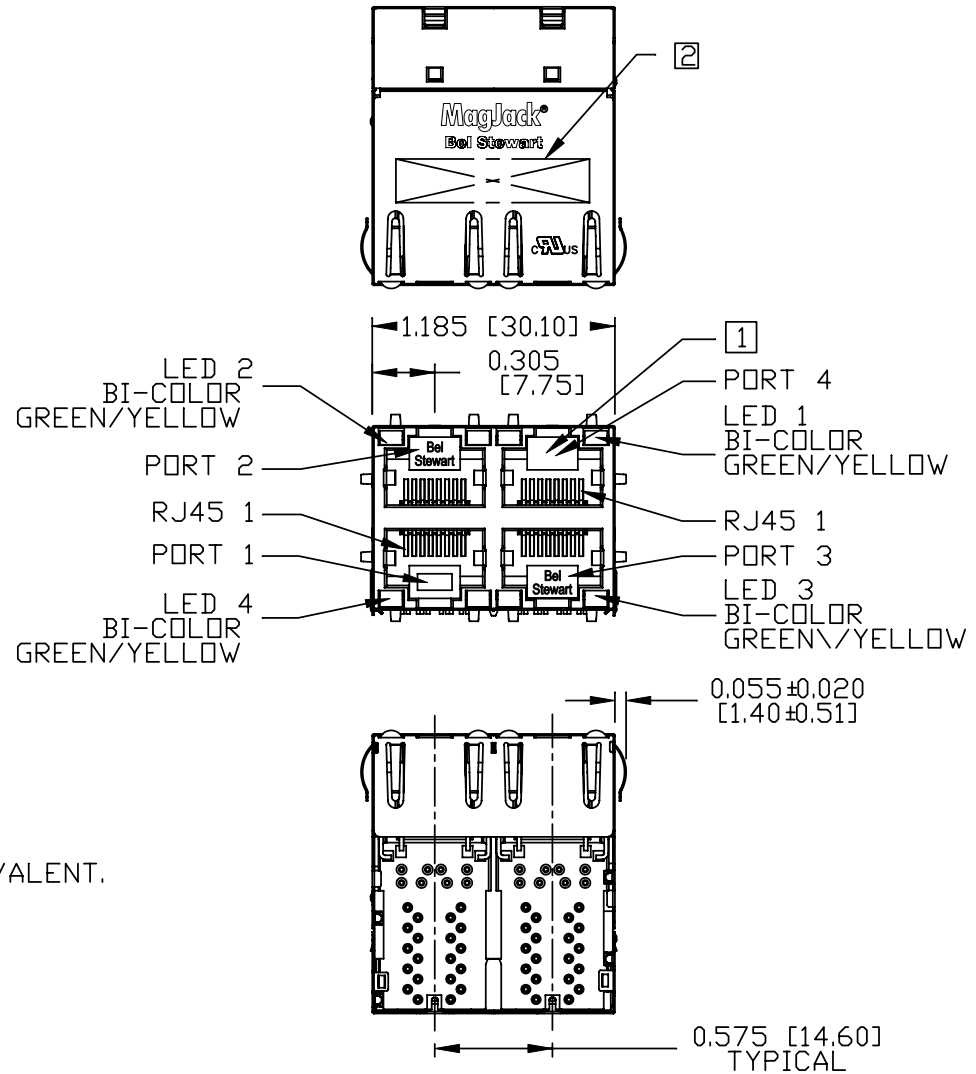
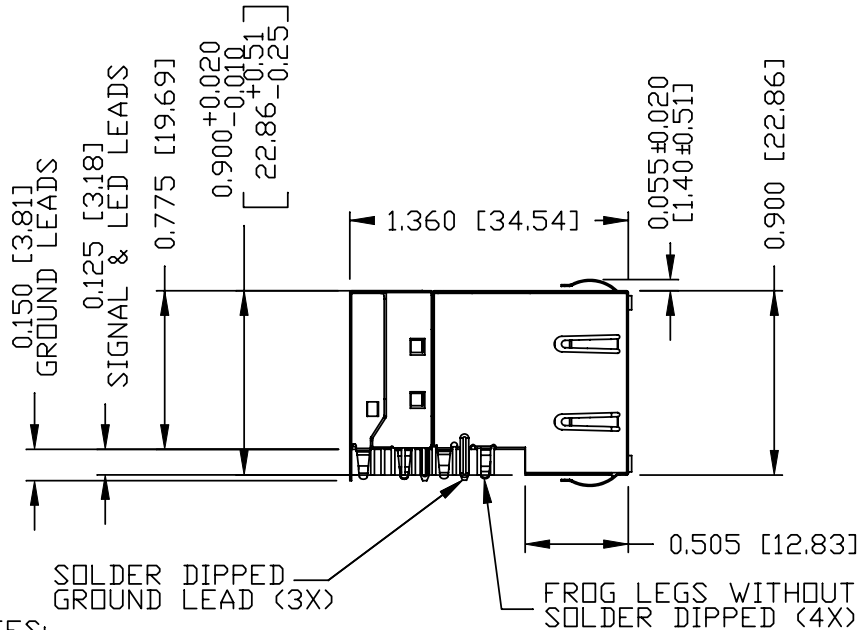
STANDARD DIM. TOL. IN INCH
.X
.XX
.XXX

[ ] METRIC DIM. AS REFERENCE
UNIT : INCH [mm]
SCALE : N/A
REV. : C
SIZE : A4
PAGE : 2



THE INFORMATION CONTAINED HEREIN IS CONSIDERED "PROPRIETARY" TO BEL FUSE INC. AND SHALL NOT BE COPIED, REPRODUCED OR DISCLOSED WITHOUT THE WRITTEN APPROVAL OF BEL FUSE INC.

RoHS



NOTES:

- PLASTIC HOUSING: THERMOPLASTIC PBT  
FLAMMABILITY RATING UL 94V-0
- CONTACT PLATING: 30 MICRO-INCH HARD GOLD PLATING OR EQUIVALENT.
- OUTPUT PINS: TIN-COATED COPPER WIRE, DIA 0.018 INCH.
- METAL SHIELD: NICKEL PLATED ON COPPER ALLOY.  
(ALL GROUND LEADS ARE SOLDER DIPPED)  
FROG LEGS ARE FOR PCB RETENTION FORCE ONLY AND NOT FOR GROUNDING PURPOSE

- 1. JACK CAVITY CONFORMS TO FCC RULES AND REGULATIONS, PART 68 SUBPART F.
- 2. MARK PART WITH MFG LOGO, MFG NAME, PART NUMBER, DATE CODE AND PATENTED.

- 3. THE PRODUCT IS RoHS COMPLIANT.
- 4. REVERSED POLARITY OF GENERAL 'C' LED.
- 5. THE PRODUCT IS PATENT PRODUCT. THE PATENT NUMBER ARE U.S. PAT. 5,736,910 AND U.S. PAT. 6,840,817 AND U.S. PAT. 7,123,117.

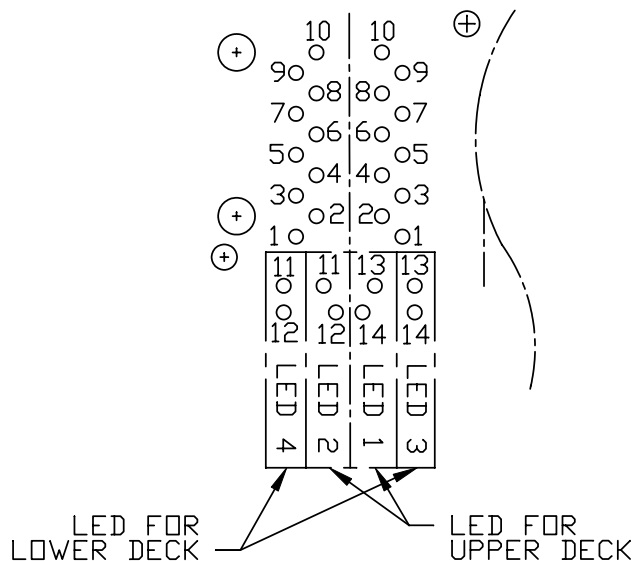
USUL RECOGNIZED - FILE #E196366 AND E169987.

ORIGINATED BY ANTON LIAO	DATE 2012-08-29	TITLE 2X2 gigabit MagJack®  PATENTED	PART NO. / DRAWING NO. C850-2C2R-54	STANDARD DIM. TOL. IN INCH	[ ] METRIC DIM. AS REFERENCE
			FILE NAME C850-2C2R-54_C.DWG	.X .XX .XXX ±0.010	UNIT : INCH [mm] SCALE : N/A 
DRAWN BY HE ZHEN	DATE 2012-08-29				REV. : C SIZE : A4 PAGE : 3



THE INFORMATION CONTAINED HEREIN IS CONSIDERED "PROPRIETARY" TO BEL FUSE INC. AND SHALL NOT BE COPIED, REPRODUCED OR DISCLOSED WITHOUT THE WRITTEN APPROVAL OF BEL FUSE INC.

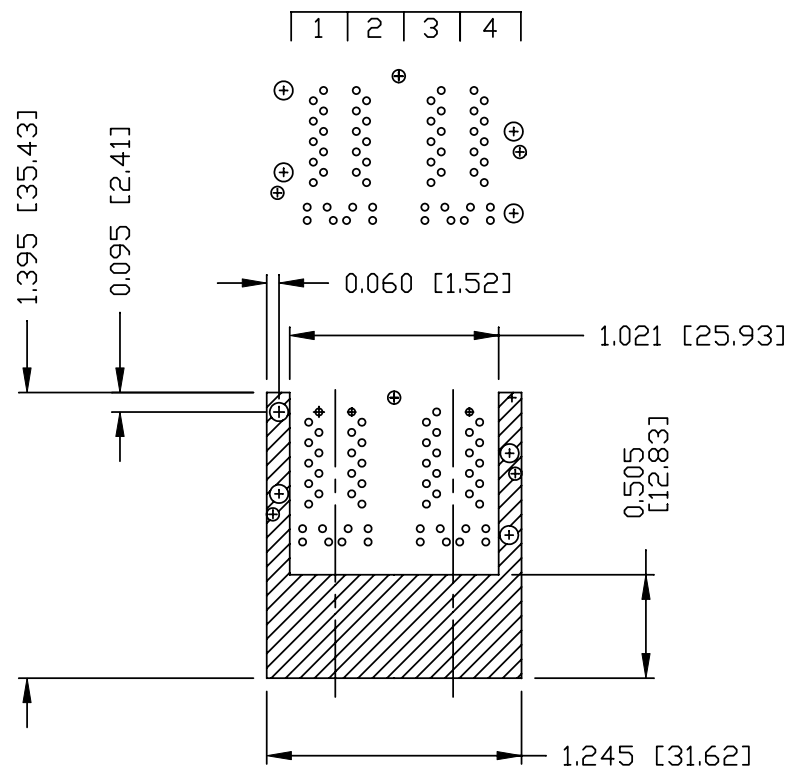
RoHS



PIN-OUT INFORMATION  
(COMPONENT SIDE VIEW)

14	YELLOW (-)/GREEN (+)
13	YELLOW (+)/GREEN (-)
12	YELLOW (-)/GREEN (+)
11	YELLOW (+)/GREEN (-)
10	GND
9	TRDCT1/2/3/4
8	TRD 4+
7	TRD 4-
6	TRD 3+
5	TRD 3-
4	TRD 2+
3	TRD 2-
2	TRD 1+
1	TRD 1-

PORT ASSIGNMENT  
(COMPONENT SIDE VIEW)



THE SHADED AREA ON THE CUSTOMER BOARD ARE RECOMMENDED TO BE CLEAR OFF ANY VIA HOLE OR COMPONENT PAD.

ORIGINATED BY ANTON LIAO	DATE 2012-08-29
DRAWN BY HE ZHEN	DATE 2012-08-29

TITLE 2X2 gigabit MagJack® PATENTED
---

PART NO. / DRAWING NO. C850-2C2R-54
FILE NAME C850-2C2R-54_C.DWG

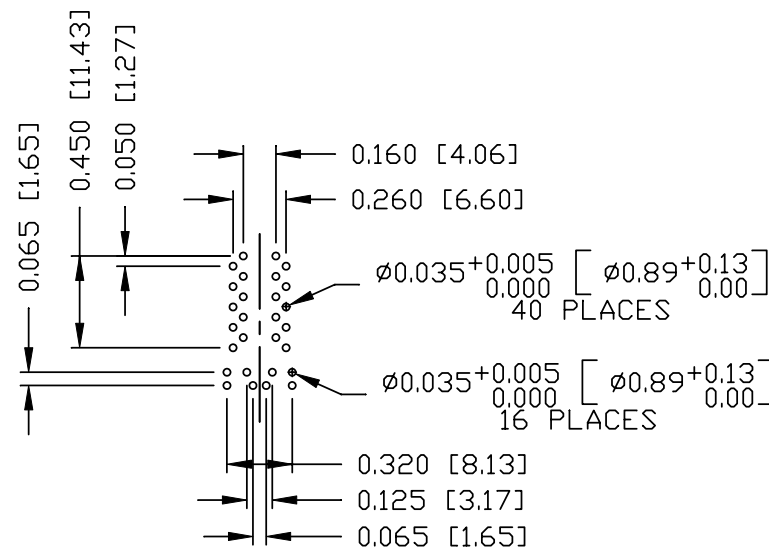
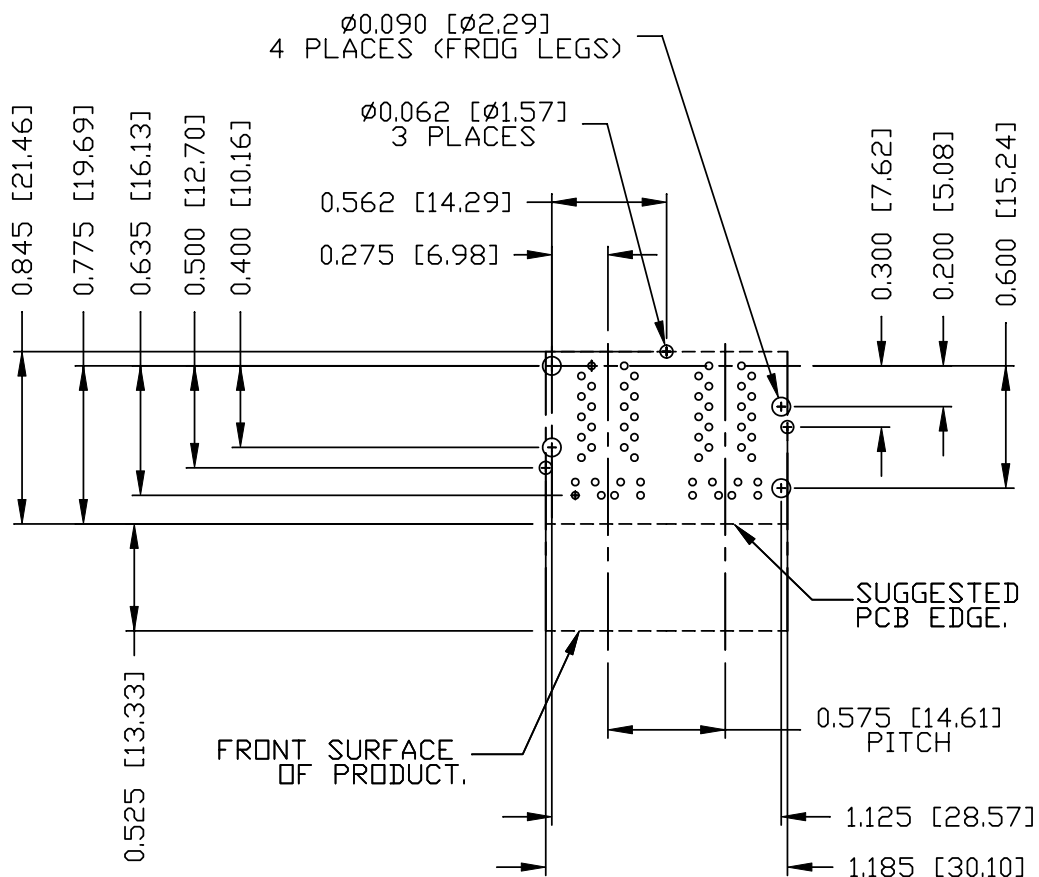
STANDARD DIM. TOL. IN INCH	
.X	
.XX	
.XXX	±0.004

[ ] METRIC DIM. AS REFERENCE	
UNIT : INCH [mm]	REV. : C
SCALE : N/A	SIZE : A4
	PAGE : 4



THE INFORMATION CONTAINED HEREIN IS CONSIDERED 'PROPRIETARY' TO BEL FUSE INC. AND SHALL NOT BE COPIED, REPRODUCED OR DISCLOSED WITHOUT THE WRITTEN APPROVAL OF BEL FUSE INC.

RoHS



SUGGESTED FOOTPRINT

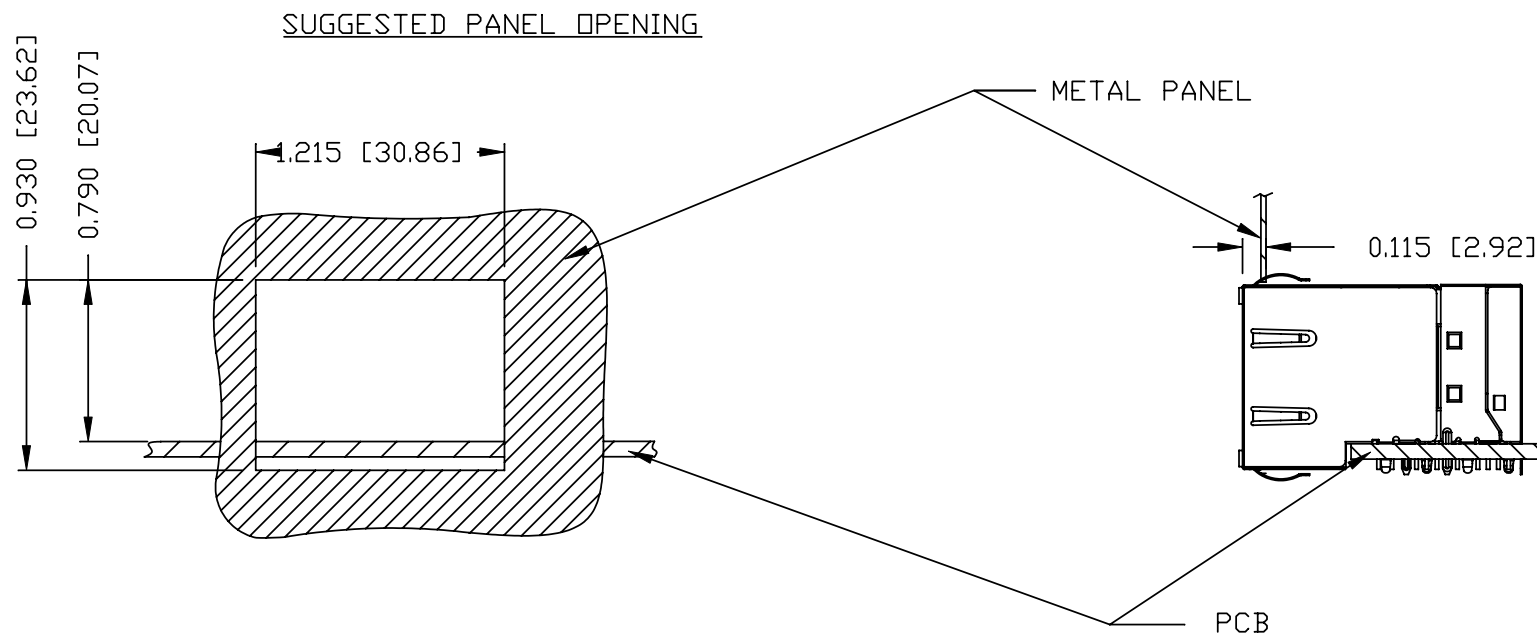
(COMPONENT SIDE VIEW)

ORIGINATED BY ANTON LIAO	DATE 2012-08-29	TITLE 2X2 gigabit MagJack® PATENTED	PART NO. / DRAWING NO. C850-2C2R-54	STANDARD DIM. TOL. IN INCH	[ ] METRIC DIM. AS REFERENCE
DRAWN BY HE ZHEN	DATE 2012-08-29		FILE NAME C850-2C2R-54_C.DWG	.X .XX .XXX	UNIT : INCH [mm] SCALE : N/A



THE INFORMATION CONTAINED HEREIN IS CONSIDERED "PROPRIETARY" TO BEL FUSE INC. AND SHALL NOT BE COPIED, REPRODUCED OR DISCLOSED WITHOUT THE WRITTEN APPROVAL OF BEL FUSE INC.

RoHS



**NOTE:**  
 THE DISTANCE OF PANEL INSIDE SURFACE RELATIVE TO FRONT SURFACE OF PART IS ONLY A SUGGESTION. IN CASE THIS DISTANCE IS DIFFERENT, THE REQUIRED PANEL OPENING DIMENSIONS CHANGE ACCORDINGLY.

PACKING INFORMATION

PACKING TRAY : 0200M9999-B1 (TOP)  
 0200M9999-B2 (BOTTOM)  
 PACKING QUANTITY : 35 PCS FINISHED GOODS PER TRAY.  
 6 TRAYS (210 PCS FINISHED GOODS) PER CARTON BOX.  
 NOTE : CARDBOARDS ARE PLACED BETWEEN LAYERS OF PACKING TRAY INSIDE CARTON BOX.  
 (INCLUDE THE UPPERMOST AND LOWERMOST TRAY)

ORIGINATED BY ANTON LIAO	DATE 2012-08-29	TITLE 2X2 gigabit MagJack® PATENTED	PART NO. / DRAWING NO. C850-2C2R-54	STANDARD DIM. TOL. IN INCH		[ ] METRIC DIM. AS REFERENCE		REV. : C	bel COMPONENTS FOR A CONNECTED PLANET
				.X		UNIT : INCH [mm]	SCALE : N/A		
DRAWN BY HE ZHEN	DATE 2012-08-29		FILE NAME C850-2C2R-54_C.DWG	.XX				PAGE : 6	
				.XXX	±0.004				