



Chipsmall Limited consists of a professional team with an average of over 10 year of expertise in the distribution of electronic components. Based in Hongkong, we have already established firm and mutual-benefit business relationships with customers from,Europe,America and south Asia,supplying obsolete and hard-to-find components to meet their specific needs.

With the principle of “Quality Parts,Customers Priority,Honest Operation,and Considerate Service”,our business mainly focus on the distribution of electronic components. Line cards we deal with include Microchip,ALPS,ROHM,Xilinx,Pulse,ON,Everlight and Freescale. Main products comprise IC,Modules,Potentiometer,IC Socket,Relay,Connector.Our parts cover such applications as commercial,industrial, and automotives areas.

We are looking forward to setting up business relationship with you and hope to provide you with the best service and solution. Let us make a better world for our industry!



Contact us

Tel: +86-755-8981 8866 Fax: +86-755-8427 6832

Email & Skype: info@chipsmall.com Web: www.chipsmall.com

Address: A1208, Overseas Decoration Building, #122 Zhenhua RD., Futian, Shenzhen, China



Customer Information Sheet

DRAWING No.: C90-00X-XXXX

IF IN DOUBT - ASK

©

NOT TO SCALE

THIRD ANGLE PROJECTION

ALL DIMENSIONS IN mm

SPECIFICATIONS:

MATERIAL:

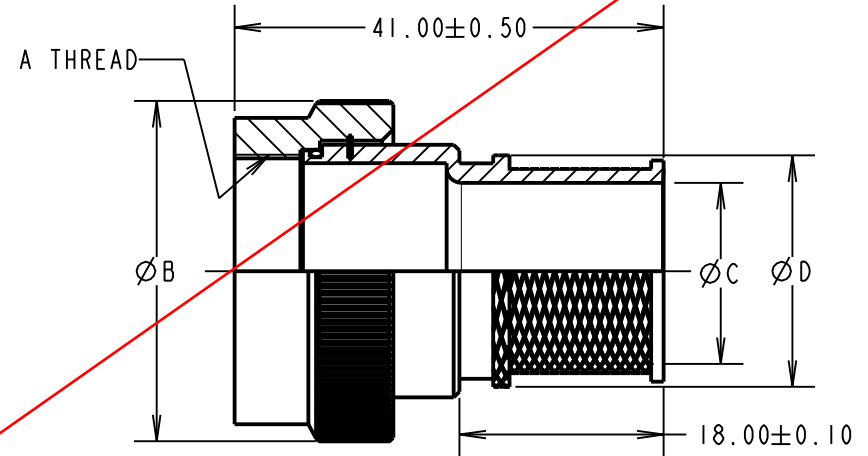
SHELL: ALUMINIUM ALLOY

O-RING: SILICONE

FINISH:

SHELL: 5-12µ ZINC NICKEL BLACK PASSIVATE OVER 8-12µ NICKEL

OBSOLETE



NOTES:

1. USE 'BAND-IT' TIE DEX MICRO BAND TOOL FOR BAND CRIMPING.
2. TOLERANCES ARE ±0.10 UNLESS OTHERWISE STATED.
3. FOR SPRING ADAPTOR ASSEMBLY INSTRUCTIONS SEE IS-31.

| SHELL SIZE | A THREAD | B MAX | C MAX | D MAX |
|------------|--------------|-------|-------|-------|
| 10SL | 5/8-24UNEF | 23.00 | 7.92 | 15.56 |
| 12S | 11/16-24UNEF | 26.00 | 7.92 | 15.56 |
| 14S | 3/4-20UNEF | 30.50 | 11.12 | 18.76 |

ORDER CODE:

C90-00X-XXXX

TERMINATION STYLE

1 = BAND

2 = SPRING

SHELL SIZE = 10SL, 12S, 14S

| | | | |
|------------------------|------|----------|--------|
| SM | 4 | 16.09.10 | 10940 |
| NAME | ISS. | DATE | C/NOTE |
| APPROVED: S. MCCULLAGH | | | |
| CHECKED: | | R. ADDE | |
| DRAWN: | | R. ADDE | |
| CUSTOMER REF.: | | | |
| ASSEMBLY DRG: | | | |

HARWIN

THIS DRAWING AND ANY INFORMATION OR DESCRIPTIVE MATTER SET OUT HEREON ARE CONFIDENTIAL AND COPYRIGHT PROPERTY OF THE HARWIN GROUP AND MUST NOT BE DISCLOSED, LOANED, COPIED OR USED FOR MANUFACTURING, TENDERING OR FOR ANY OTHER PURPOSE WITHOUT THEIR WRITTEN PERMISSION.

TOLERANCES

X = ±1mm
 X.X = ±0.25mm
 X.XX = ±0.10mm
 X.XXX = ±0.01mm
 ANGLES = ±5°
 UNLESS STATED

MATERIAL:

SEE ABOVE

FINISH:

SEE ABOVE

S/AREA:

mm²

TITLE:

SCREENING BRAID ADAPTOR

DRAWING NUMBER:

C90-00X-XXXX

SHT

2 OF 2

HARWIN USA
 TEL: 603 893 5376
 FAX: 603 893 5396
 mis@harwin.com

HARWIN Europe (UK)
 TEL: 023 9231 4545
 FAX: 023 9231 4590
 mis@harwin.co.uk

HARWIN Asia
 TEL: +65 6 779 4909
 FAX: +65 6 779 3868
 mis@harwin.com.sg