



Chipsmall Limited consists of a professional team with an average of over 10 year of expertise in the distribution of electronic components. Based in Hongkong, we have already established firm and mutual-benefit business relationships with customers from,Europe,America and south Asia,supplying obsolete and hard-to-find components to meet their specific needs.

With the principle of “Quality Parts,Customers Priority,Honest Operation,and Considerate Service”,our business mainly focus on the distribution of electronic components. Line cards we deal with include Microchip,ALPS,ROHM,Xilinx,Pulse,ON,Everlight and Freescale. Main products comprise IC,Modules,Potentiometer,IC Socket,Relay,Connector.Our parts cover such applications as commercial,industrial, and automotives areas.

We are looking forward to setting up business relationship with you and hope to provide you with the best service and solution. Let us make a better world for our industry!



## Contact us

Tel: +86-755-8981 8866 Fax: +86-755-8427 6832

Email & Skype: info@chipsmall.com Web: www.chipsmall.com

Address: A1208, Overseas Decoration Building, #122 Zhenhua RD., Futian, Shenzhen, China



# Customer Information Sheet

DRAWING No.: C90-3106FXXSX-XX

SHEET 2 OF 2

IF IN DOUBT - ASK

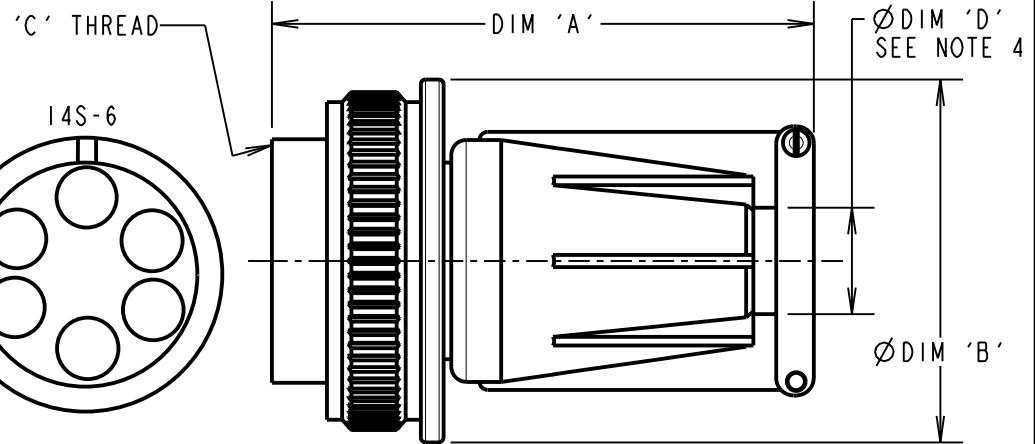
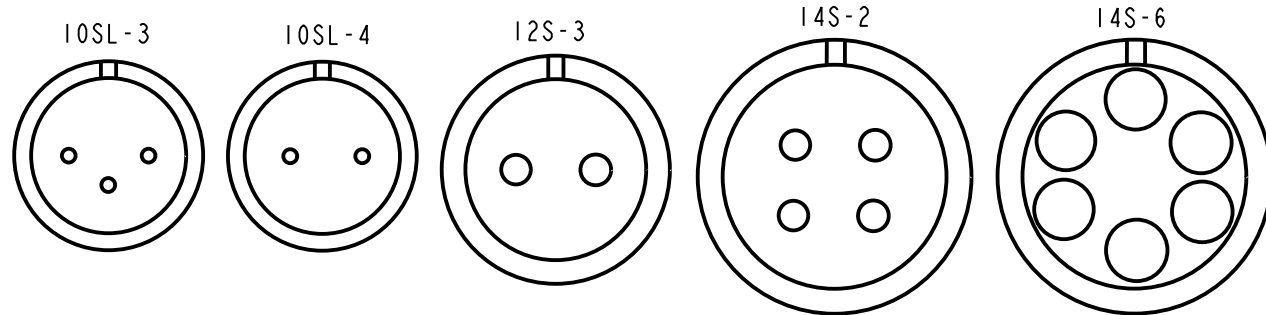
©

NOT TO SCALE

THIRD ANGLE PROJECTION

ALL DIMENSIONS IN mm

**CONTACT LAYOUT  
(SHOWN LOOKING AT THE MATING FACE)**



**SPECIFICATIONS:**

**MATERIAL:**

SHELL = ALUMINIUM ALLOY  
 INSULATOR = SYNTHETIC RUBBER  
 GROMMET = SYNTHETIC RUBBER  
 CONTACT = COPPER ALLOY

**FINISH:**

SHELL = ZINC WITH BLACK CHROMATE COATING  
 CONTACT = SILVER

**ENVIRONMENTAL:**

OPERATING TEMPERATURE = -55°C TO +125°C

**MECHANICAL:**

VIBRATION SENSITIVITY = 10Hz TO 500Hz, 98mm/s<sup>2</sup> (10G)  
 SHOCK SEVERITY = 490m/s<sup>2</sup> (50G) FOR 11ms  
 WATER RESISTANCE (SEALING) = 1.8m FOR 48HRS, EXCEEDS IP67

**ELECTRICAL:**

CURRENT RATING = 13A  
 VOLTAGE RATING = 10SL, 12S SHELL SIZES: 500V AC, 700V DC  
 14S SHELL SIZE: 200V AC, 250V DC  
 VOLTAGE PROOF = 10SL & 12S: 2,000V AC  
 14S: 1,000V AC

INSULATION RESISTANCE = 5,000MΩ MIN  
 FOR MECHANICAL/ELECTRICAL REQUIREMENTS,  
 SEE COMPONENT SPECIFICATION C045XX (LATEST ISSUE)

**ORDER CODE:**

**C90-3106FXXXX-XX**

**SHELL SIZE (CONTACT LAYOUT):**

10SL-3, 10SL-4, 12S-3, 14S-2  
 14S-6

**CONTACT GENDER:**

P - MALE  
 S - FEMALE

**NOTES:**

1. PRODUCT IS RoHS COMPLIANT.
2. PRODUCT IS PACKED IN BAGS.
3. RECOMMENDED WIRE SIZE 16-22 AWG.
4. CABLE CLEARANCE.
5. RECOMMENDED WIRE STRIP LENGTH = 7.5mm.

SB	7	25.06.13	12118
NAME	ISS.	DATE	C/NOTE
APPROVED:		S.BENNETT	
CHECKED:		S.FLOWER	
DRAWN:		R.ADDE	
CUSTOMER REF.:			
ASSEMBLY DRG:			

SHELL SIZE	DIM 'A' MAX	Ø DIM 'B' MAX	'C' THREAD	Ø DIM 'D' MAX
10SL	54.10	24.10	5/8-24UNEF	7.14
12S	54.10	25.30	3/4-20UNEF	7.14
14S	55.91	28.53	7/8-20UNEF	10.31

**HARWIN**

www.harwin.com  
 technical@harwin.com

THIS DRAWING AND ANY INFORMATION OR DESCRIPTIVE MATTER SET OUT HEREON ARE CONFIDENTIAL AND COPYRIGHT PROPERTY OF THE HARWIN GROUP AND MUST NOT BE DISCLOSED, LOANED, COPIED OR USED FOR MANUFACTURING, TENDERING OR FOR ANY OTHER PURPOSE WITHOUT THEIR WRITTEN PERMISSION.

**TOLERANCES**  
 X. = ±1mm  
 X.X = ±0.25mm  
 X.XX = ±0.10mm  
 X.XXX = ±0.01mm  
 ANGLES = ±5°  
 UNLESS STATED

**MATERIAL:**  
 SEE ABOVE  
**FINISH:** SEE ABOVE  
**S/AREA:** mm<sup>2</sup>

**TITLE:**  
 STRAIGHT PLUG

**DRAWING NUMBER:**  
 C90-3106FXXSX-XX

SHT  
 2 OF 2