



Chipsmall Limited consists of a professional team with an average of over 10 year of expertise in the distribution of electronic components. Based in Hongkong, we have already established firm and mutual-benefit business relationships with customers from,Europe,America and south Asia,supplying obsolete and hard-to-find components to meet their specific needs.

With the principle of "Quality Parts,Customers Priority,Honest Operation,and Considerate Service",our business mainly focus on the distribution of electronic components. Line cards we deal with include Microchip,ALPS,ROHM,Xilinx,Pulse,ON,Everlight and Freescale. Main products comprise IC,Modules,Potentiometer,IC Socket,Relay,Connector.Our parts cover such applications as commercial,industrial, and automotives areas.

We are looking forward to setting up business relationship with you and hope to provide you with the best service and solution. Let us make a better world for our industry!



## Contact us

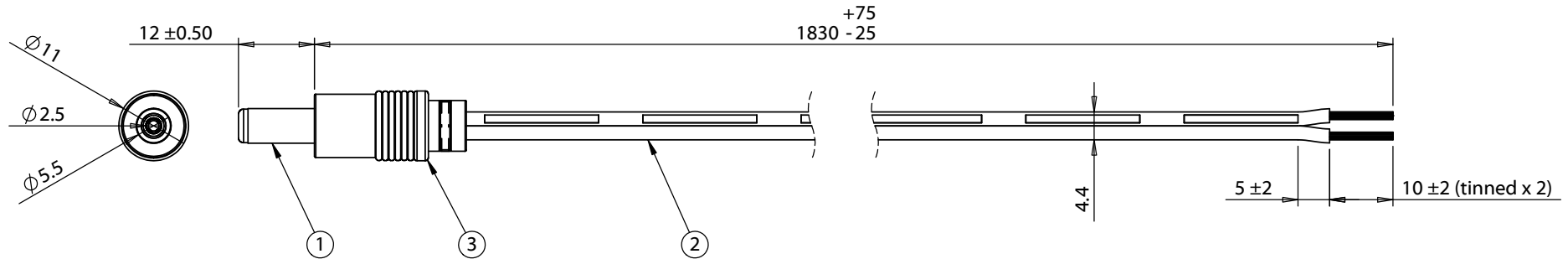
Tel: +86-755-8981 8866 Fax: +86-755-8427 6832

Email & Skype: info@chipsmall.com Web: www.chipsmall.com

Address: A1208, Overseas Decoration Building, #122 Zhenhua RD., Futian, Shenzhen, China



ITEM NO.	PART NUMBER	DESCRIPTION	QTY.	NOTES
1	50-00130	Connector, dc plug, 5.5x2.5xL22.5 mm, molding style, brass nickel plated	1	
2	30-00007	Wire, 2C BC, 18 AWG, UL2468, 300V, 80C, 4.4 mm, VW-1, PVC, 87A	1	
3	24-00016	Overmold, PVC, black	1	



Wiring diagram	
50-00130	Wire Color
Center	Black with stripe
Sleeve	Black

REVISION	DATE	DESCRIPTION	PREPARED:	NOTES	<h1>TENSILITY</h1> <p>20802 Sockeye Place #130 Bend, OR 97701 USA tel 541.323.3228 fax 541.323.4202 800 877.670.7118 www.tensility.com</p>	
A	01/19/2009	Re-issued from CUI spec	<b>GL</b> <small>2016.01.05 15:55:33 -08'00'</small>	RoHS and REACH compliant		
A1	08/30/2011	Updated description, connector, and wire information	<b>AG</b> <small>2016.01.05 15:58:01 -08'00'</small>	Function test: no open, no reversed polarity, no short circuit, no intermittent		
A2	10/31/2012	Added humidity and operating temperature information		Operating range: -10°C ~ +80°C, < 75% humidity, and 3 A, 36 Vdc		
				Functionally equivalent components may be used		
			DIMENSIONS ARE IN MILLIMETERS  TOLERANCES: X: ± 0.5 mm X.X: ± 0.3 mm X.XX: ± 0.05 mm	DESCRIPTION: Cable, 1830 mm, 5.5x2.5x12 mm, 50-00130 dc plug to stripped tinned, 18 AWG, 30-00007 wire	SIZE A	PART NUMBER <b>053-0185R</b>
					SCALE: 1:1	SHEET 1 OF 1