



Chipsmall Limited consists of a professional team with an average of over 10 year of expertise in the distribution of electronic components. Based in Hongkong, we have already established firm and mutual-benefit business relationships with customers from,Europe,America and south Asia,supplying obsolete and hard-to-find components to meet their specific needs.

With the principle of "Quality Parts,Customers Priority,Honest Operation,and Considerate Service",our business mainly focus on the distribution of electronic components. Line cards we deal with include Microchip,ALPS,ROHM,Xilinx,Pulse,ON,Everlight and Freescale. Main products comprise IC,Modules,Potentiometer,IC Socket,Relay,Connector.Our parts cover such applications as commercial,industrial, and automotives areas.

We are looking forward to setting up business relationship with you and hope to provide you with the best service and solution. Let us make a better world for our industry!



Contact us

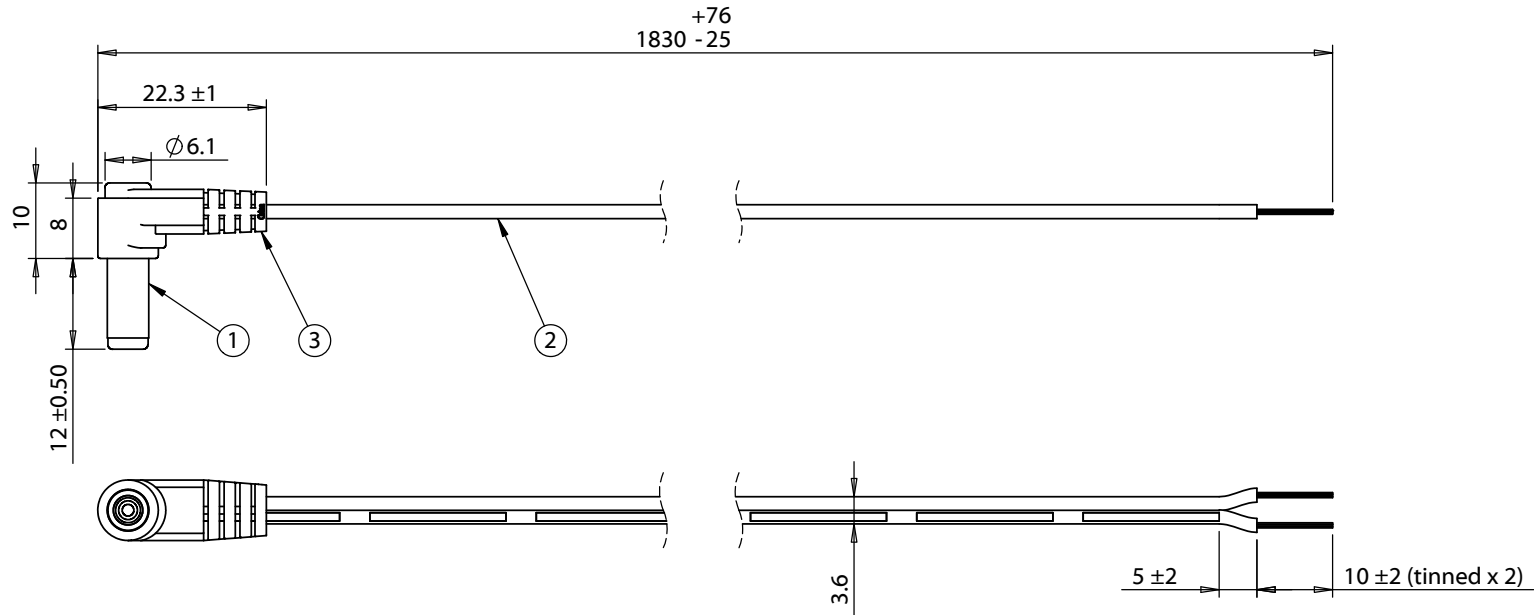
Tel: +86-755-8981 8866 Fax: +86-755-8427 6832

Email & Skype: info@chipsmall.com Web: www.chipsmall.com

Address: A1208, Overseas Decoration Building, #122 Zhenhua RD., Futian, Shenzhen, China



ITEM NO.	PART NUMBER	DESCRIPTION	QTY.	COMPONENT NOTES
1	50-00258	Connector, dc plug, 5.5x2.5xL20.5 mm, molding style	1	
2	30-00003	Wire, 2C BC, 24 AWG, UL2468, 300V, 80C, 3.6 mm, VW-1, PVC, 76A	1	
3	24-00046	Overmold, PVC	1	



Notes:

Hi-Pot test: 600 Vac, 0.5 mA, 1 second

Wiring Diagram	
50-00258	wire color
center	black with stripe
sleeve	black

Revision:	Date:	Description:	Prepared:	Notes: RoHS and REACH compliant Function test: no open, no short circuit, no intermittent Description: Cable, 1830 mm, 5.5x2.5x12 mm, 90° 50-00258 dc plug to stripped tinned, 24 AWG, 30-00003 wire	<h1>TENSILITY</h1> <p>tel 1.541.323.3228 800 877.670.7118 fax 1.541.323.4202 web tensility.com</p>				
A1	9/22/2009	Included plug and overmold dimensions	GL 2016.07.08 09:15:39 -07'00'						
A2	8/31/2011	Updated description, connector, and wire dimension	Verified: AG 2016.07.11 11:05:27 -07'00'						
A3	7/31/2012	Updated connector description	Dimensions are in millimeters. Tolerances: X: ± 0.5 mm X.X: ± 0.3 mm X.XX: ± 0.05 mm						
A4	9/10/2013	Updated connector							
A5	6/24/2016	Corrected overmold dimensions			<table border="1"> <tr> <td>Size:</td> <td>Part number:</td> </tr> <tr> <td>A</td> <td>053-0187R (CA-2188)</td> </tr> </table>	Size:	Part number:	A	053-0187R (CA-2188)
Size:	Part number:								
A	053-0187R (CA-2188)								
				Scale: 1:1		Sheet 1 of 1			