



Chipsmall Limited consists of a professional team with an average of over 10 year of expertise in the distribution of electronic components. Based in Hongkong, we have already established firm and mutual-benefit business relationships with customers from,Europe,America and south Asia,supplying obsolete and hard-to-find components to meet their specific needs.

With the principle of “Quality Parts,Customers Priority,Honest Operation,and Considerate Service”,our business mainly focus on the distribution of electronic components. Line cards we deal with include Microchip,ALPS,ROHM,Xilinx,Pulse,ON,Everlight and Freescale. Main products comprise IC,Modules,Potentiometer,IC Socket,Relay,Connector.Our parts cover such applications as commercial,industrial, and automotives areas.

We are looking forward to setting up business relationship with you and hope to provide you with the best service and solution. Let us make a better world for our industry!



Contact us

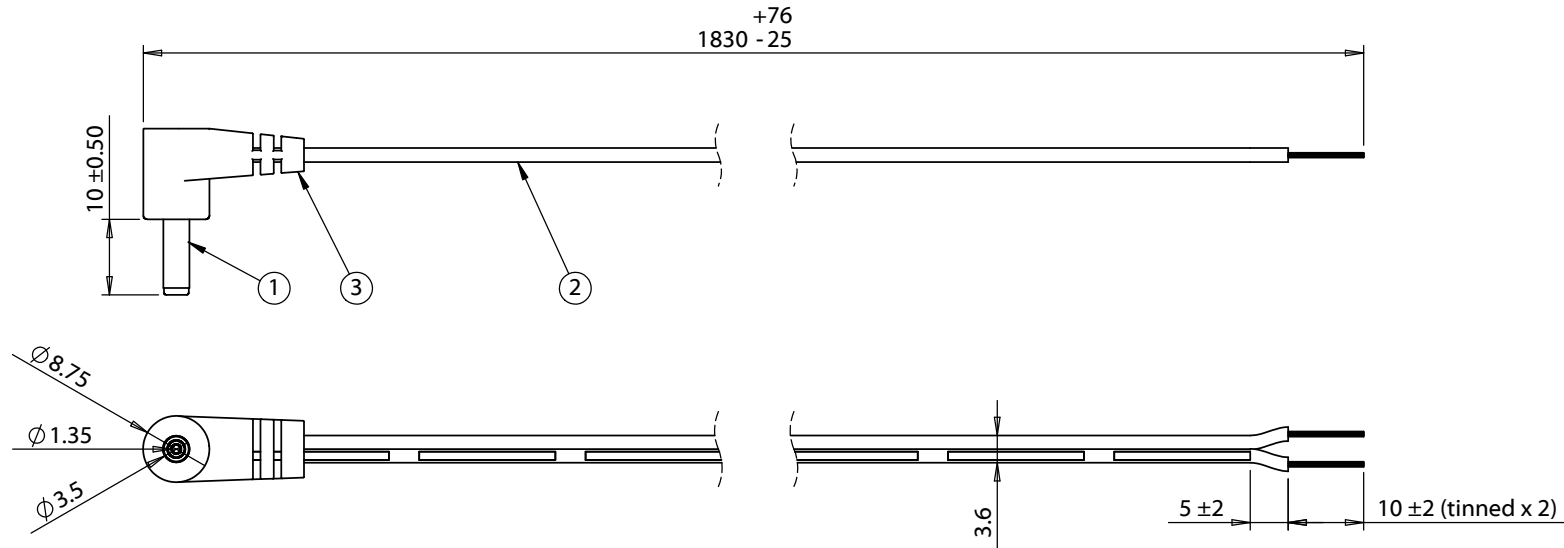
Tel: +86-755-8981 8866 Fax: +86-755-8427 6832

Email & Skype: info@chipsmall.com Web: www.chipsmall.com

Address: A1208, Overseas Decoration Building, #122 Zhenhua RD., Futian, Shenzhen, China



ITEM NO.	PART NUMBER	DESCRIPTION	QTY.	COMPONENT NOTES
1	50-00112	Connector, dc plug, 3.5x1.35xL18.5 mm, brass nickel plated	1	
2	30-00003	Wire, 2C BC, 24 AWG, UL2468, 300V, 80C, 3.6 mm, VW-1, PVC, 76A	1	
3	24-00049	Overmold, PVC, black	1	



Notes:

Electical requirement: 500 mA, 36 Vdc

Hi-Pot test: 600 Vac, 0.5 mA, 1 second

Wiring Diagram	
50-00112	wire color
center	black with stripe
sleeve	black

Revision:	Date:	Description:	Prepared:	Notes:	<h1>TENSILITY</h1> <p>tel 1.541.323.3228 800 877.670.7118 fax 1.541.323.4202 web tensility.com</p>					
A	1/19/2009	Re-issue CUI spec as Tensility	GL 2016.03.15 17:09:13 -07'00'	RoHS and REACH compliant						
A1	8/31/2011	Updated description, connector, and wire information	Verified: LA <small>Digitally signed by LA DN: cn=LA, o=Tensility c=US, email=LA@tensility.com, c=US Date: 2016.05.05 16:08:38 -07'00'</small>	Function test: no open, no short circuit, no intermittent						
A2	6/18/2012	Updated connector description	Dimensions are in millimeters. Tolerances: X: ± 0.5 mm X.X: ± 0.3 mm X.XX: ± 0.05 mm	Description: Cable, 1830 mm, 3.5x1.35x10 mm, 90° 50-00112 dc plug to stripped tinned, 24 AWG, 30-00003 wire						
					<table border="1"> <tr> <td>Size:</td> <td>Part number:</td> </tr> <tr> <td>A</td> <td>053-0196R (CA-2197)</td> </tr> </table>	Size:	Part number:	A	053-0196R (CA-2197)	
Size:	Part number:									
A	053-0196R (CA-2197)									
					<table border="1"> <tr> <td>Scale:</td> <td>1:1</td> <td></td> <td></td> <td>Sheet 1 of 1</td> </tr> </table>	Scale:	1:1			Sheet 1 of 1
Scale:	1:1			Sheet 1 of 1						