



Chipsmall Limited consists of a professional team with an average of over 10 year of expertise in the distribution of electronic components. Based in Hongkong, we have already established firm and mutual-benefit business relationships with customers from,Europe,America and south Asia,supplying obsolete and hard-to-find components to meet their specific needs.

With the principle of “Quality Parts,Customers Priority,Honest Operation,and Considerate Service”,our business mainly focus on the distribution of electronic components. Line cards we deal with include Microchip,ALPS,ROHM,Xilinx,Pulse,ON,Everlight and Freescale. Main products comprise IC,Modules,Potentiometer,IC Socket,Relay,Connector.Our parts cover such applications as commercial,industrial, and automotives areas.

We are looking forward to setting up business relationship with you and hope to provide you with the best service and solution. Let us make a better world for our industry!



Contact us

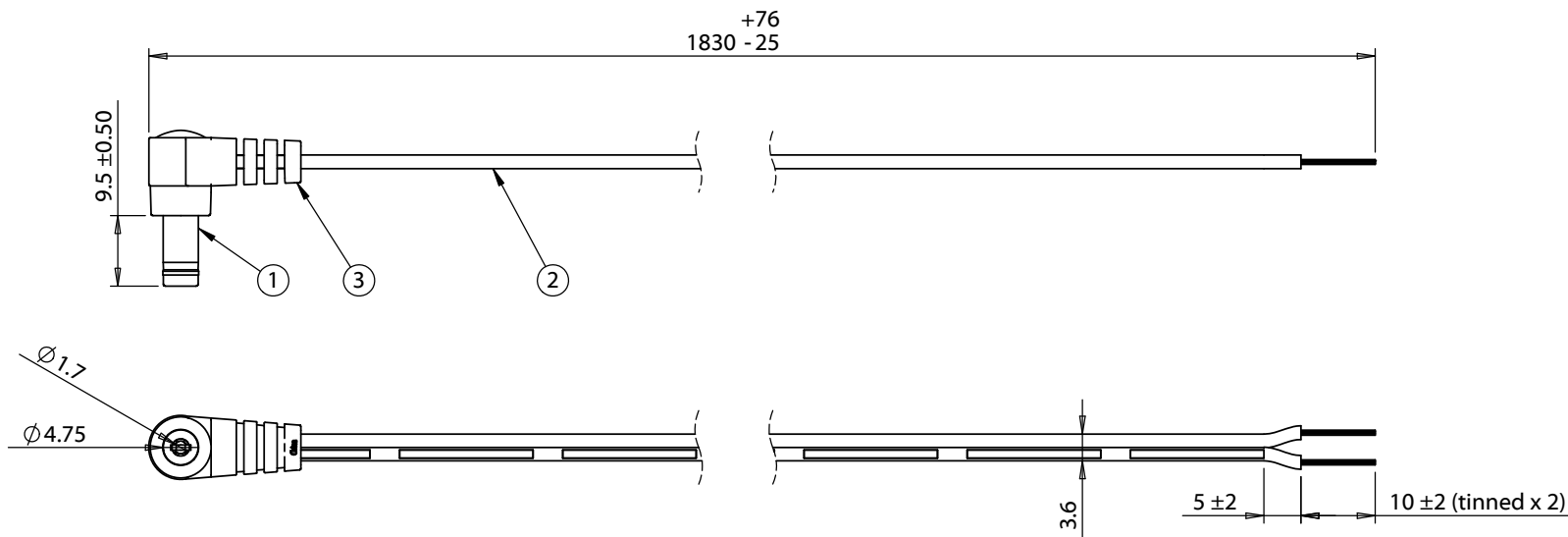
Tel: +86-755-8981 8866 Fax: +86-755-8427 6832

Email & Skype: info@chipsmall.com Web: www.chipsmall.com

Address: A1208, Overseas Decoration Building, #122 Zhenhua RD., Futian, Shenzhen, China



ITEM NO.	PART NUMBER	DESCRIPTION	QTY.	COMPONENT NOTES
1	50-00387	Connector, dc plug, 4.75x1.7xL19 mm, brass nickel plated, yellow insulator	1	
2	30-00003	Wire, 2C BC, 24 AWG, UL2468, 300V, 80C, 3.6 mm, VW-1, PVC, 76A	1	
3	24-00062	Overmold, PVC, black	1	



Notes:

Operating temperature: -10° to 80°C

Hi-Pot test: 600 Vac, 0.5 mA, 1 second

Wiring Diagram	
50-00387	wire color
center	black with stripe
sleeve	black

Revision:	Date:	Description:	Prepared:	Notes:	<h1>TENSILITY</h1> <p>tel 1.541.323.3228 800 877.670.7118 fax 1.541.323.4202 web tensility.com</p>
A1	8/31/2011	Updated description, connector, and wire information	GL 2016.05.06 08:03:32 -07'00'	RoHS and REACH compliant	
A2	1/23/2013	Added temperature rating	Verified: LA	Function test: no open, no short circuit, no intermittent	
A3	1/25/2013	Updated rating	Dimensions are in millimeters. Tolerances: X: ± 0.5 mm X.X: ± 0.3 mm X.XX: ± 0.05 mm	Description: Cable, 1830 mm, 4.75x1.7x9.5 mm, 90° 50-00387 dc plug to stripped tinned, 24 AWG, 30-00003 wire	
A4	10/9/2013	Changed connector to 50-00384			
A5	11/1/2013	Changed connector to 50-00387			Size: A Part number: 053-0198R (CA-2199) Scale: 1:1

