



Chipsmall Limited consists of a professional team with an average of over 10 year of expertise in the distribution of electronic components. Based in Hongkong, we have already established firm and mutual-benefit business relationships with customers from,Europe,America and south Asia,supplying obsolete and hard-to-find components to meet their specific needs.

With the principle of “Quality Parts,Customers Priority,Honest Operation,and Considerate Service”,our business mainly focus on the distribution of electronic components. Line cards we deal with include Microchip,ALPS,ROHM,Xilinx,Pulse,ON,Everlight and Freescale. Main products comprise IC,Modules,Potentiometer,IC Socket,Relay,Connector.Our parts cover such applications as commercial,industrial, and automotives areas.

We are looking forward to setting up business relationship with you and hope to provide you with the best service and solution. Let us make a better world for our industry!



Contact us

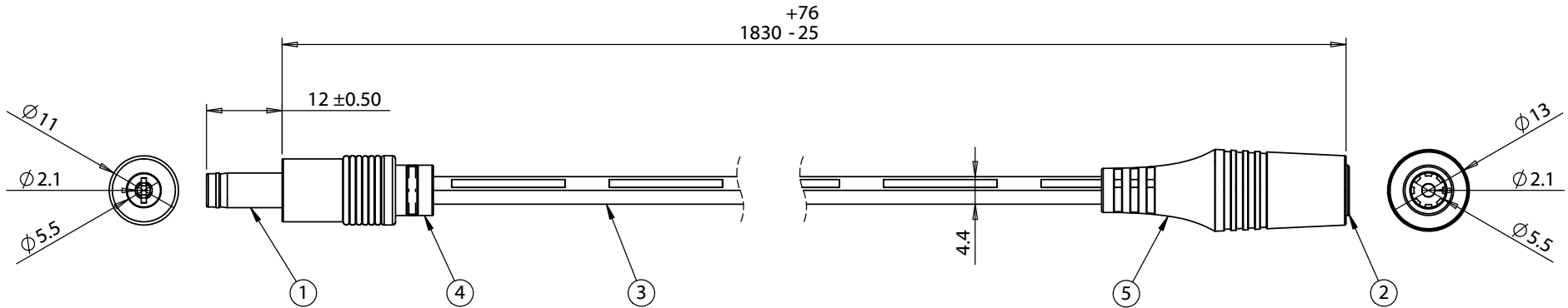
Tel: +86-755-8981 8866 Fax: +86-755-8427 6832

Email & Skype: info@chipsmall.com Web: www.chipsmall.com

Address: A1208, Overseas Decoration Building, #122 Zhenhua RD., Futian, Shenzhen, China



ITEM NO.	PART NUMBER	DESCRIPTION	QTY.	COMPONENT NOTES
1	50-00024	Connector, dc plug, 5.5x2.1xL23 mm, molding style, spring contacts	1	
2	50-00025	Connector, dc jack, 5.5x2.1xL17.4 mm, molding style	1	
3	30-00007	Wire, 2C BC, 18 AWG, UL2468, 300V, 80C, 4.4 mm, VW-1, PVC, 87A	1	
4	24-00016	Overmold, PVC	1	black
5	24-00054	Overmold, PVC	1	black



Notes:

Electical requirement: 3 A, 36 Vdc

Hi-Pot test: 600 Vac, 0.5 mA, 1 second

Wiring Diagram		
50-00024	wire color	50-00025
center	black with stripe	center
sleeve	black	sleeve

Revision:	Date:	Description:	Prepared: GL 2016.09.07 11:45:23 -07'00'	Notes:	<h1>TENSILITY</h1> <p>tel 1.541.323.3228 800 877.670.7118 fax 1.541.323.4202 web tensility.com</p>				
A	1/19/2009	Re-issue CUI spec as Tensility	Verified: PS <small>Digitally signed by PS Date: 2016.09.07 14:01:50 -07'00'</small>	RoHS and REACH compliant					
A1	8/31/2011	Updated description, connector, and wire information	Dimensions are in millimeters. Tolerances: X: ± 0.5 mm X.X: ± 0.3 mm X.XX: ± 0.05 mm	Function test: no open, no short circuit, no intermittent					
A2	9/10/2013	Updated connector		Description: Cable, 1830 mm, 5.5x2.1x12 mm 50-00024 dc plug to 5.5x2.1 50-00025 dc jack, 18 AWG, 30-00007 wire					
A3	9/26/2013	Updated connector			<table border="1"> <tr> <td>Size:</td> <td>Part number:</td> </tr> <tr> <td>A</td> <td>053-0378R (CA-2210)</td> </tr> </table>	Size:	Part number:	A	053-0378R (CA-2210)
Size:	Part number:								
A	053-0378R (CA-2210)								
					<table border="1"> <tr> <td>Scale:</td> <td>1:1</td> <td></td> <td>Sheet 1 of 1</td> </tr> </table>	Scale:	1:1		Sheet 1 of 1
Scale:	1:1		Sheet 1 of 1						