



Chipsmall Limited consists of a professional team with an average of over 10 year of expertise in the distribution of electronic components. Based in Hongkong, we have already established firm and mutual-benefit business relationships with customers from,Europe,America and south Asia,supplying obsolete and hard-to-find components to meet their specific needs.

With the principle of “Quality Parts,Customers Priority,Honest Operation,and Considerate Service”,our business mainly focus on the distribution of electronic components. Line cards we deal with include Microchip,ALPS,ROHM,Xilinx,Pulse,ON,Everlight and Freescale. Main products comprise IC,Modules,Potentiometer,IC Socket,Relay,Connector.Our parts cover such applications as commercial,industrial, and automotives areas.

We are looking forward to setting up business relationship with you and hope to provide you with the best service and solution. Let us make a better world for our industry!



Contact us

Tel: +86-755-8981 8866 Fax: +86-755-8427 6832

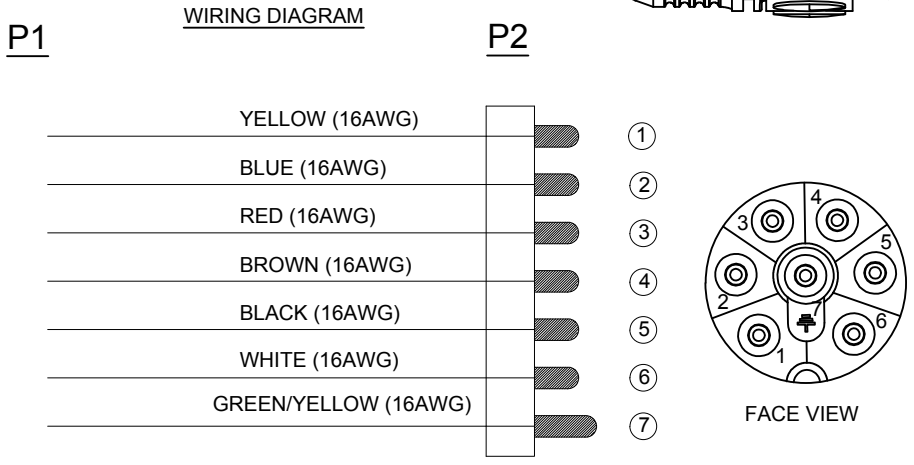
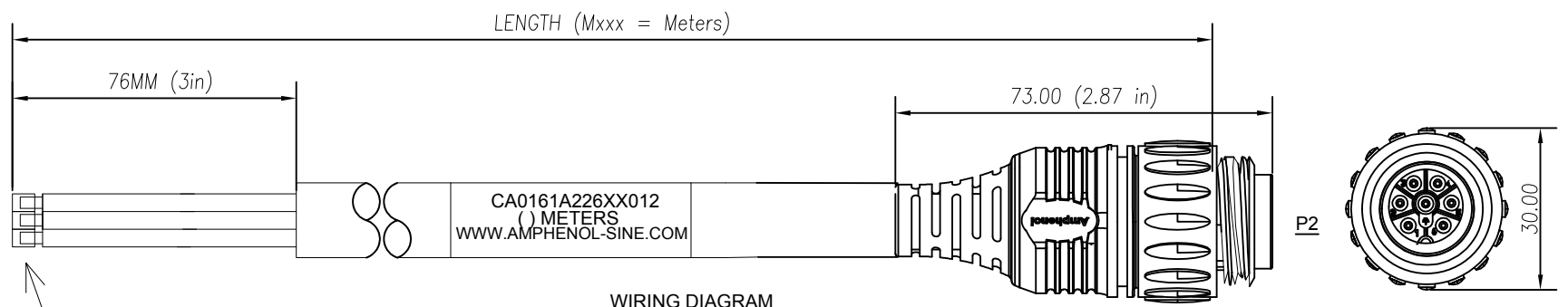
Email & Skype: info@chipsmall.com Web: www.chipsmall.com

Address: A1208, Overseas Decoration Building, #122 Zhenhua RD., Futian, Shenzhen, China



REVISIONS							
REV	ZONE	ECO	DESCRIPTION	DATE	BY	CHK	APPR
A1	-	-	TECHNICAL DATA SHEET RELEASE	14-JULY-2017	RO	-	-

Part Number	Length (Meters)
CA0161A22601012	1 (3.28 FEET)
CA0161A22602012	2 (6.56 FEET)
CA0161A22603012	3 (9.84 FEET)
CA0161A22605012	5 (16.40 FEET)
CA0161A22607012	7 (22.96 FEET)
CA0161A22610012	10 (32.80 FEET)
CA0161A22613012	13 (42.65 FEET)
CA0161A22615012	15 (49.21 FEET)



TECHNICAL DATA:

1) MATERIALS:

COUPLING NUT: NYLON PA 6.6
 INSULATION INSERT: NYLON PA 6.6, UL 94/V-0
 CONTACT: SILVER PLATED
 OVERMOLD MATERIAL: THERMOPLASTIC COLOR: BLACK
 CABLE RATING: UL LISTED: TC-ER PER UL 1277, MTW PER UL 1063, WTTC PER UL 2277, SUMERSIBLE
 PUMP ATTRIBUTES LISTED: UL OIL RES I/II, 75°C WET; 90°C DRY, SUNLIGHT RESISTANT, DIRECT BURIAL, NFPA 79 2015
 CABLE JACKET MATERIAL: PVC COLOR: BLACK
 CONDUCTOR INSULATION: PVC
 NUMBER OF CONDUCTORS: (7) 16AWG

2) ELECTRICAL DATA:

CURRENT (MAX): 13A
 VOLTAGE (MAX): 250V AC/DC
 INSULATION RESISTANCE (MIN): 100M OHMS
 RATED IMPULSE WITHSTAND VOLTAGE: 6000V

3) MECHANICAL DATA:

TEMPERATURE RANGE: -40°C TO +100°C
 PROTECTION: IP68 (MATED CONDITION)
 MATING CYCLES: >500

4) RoHS COMPLIANT

WARNING

Risk of Electrical Shock
 Do Not Disconnect Under Load.
 Risque de chocs electriques
 Ne pas debrancher sous tension.

TOLERANCE	
0-2.99 M = +100.0/-25.0mm	0-9.99 FT = +4" / -1"
3-8.99 M = +150.0/-25.0mm	10.00-29.99 FT = +6" / -1"
9-14.99 M = +300.0/-25.0mm	30.00-49.99 FT = +12" / -1"
15-OVER M = +450.0/-25.0mm	50 FT-OVER = +18" / -1"

QUANTITY	PART NUMBER	DESCRIPTION	ITEM										
MATERIALS LIST													
UNLESS OTHERWISE SPECIFIED: 1) All dimensions are in metric(mm). 2) Tolerances are as follows: 1 PL DEC ±0.30 2 PL DEC ±0.15 3 PL DEC ±0.08 3) Note reference =		<table border="1"> <thead> <tr> <th>SIGNATURES</th> <th>DATE</th> </tr> </thead> <tbody> <tr> <td>DRAWN: KJM</td> <td>12-MAY-14</td> </tr> <tr> <td>CHECKED: MRF</td> <td>12-MAY-14</td> </tr> <tr> <td>ENGINEER: KJM</td> <td></td> </tr> <tr> <td>APPROVAL: RFC</td> <td>12-MAY-14</td> </tr> </tbody> </table>		SIGNATURES	DATE	DRAWN: KJM	12-MAY-14	CHECKED: MRF	12-MAY-14	ENGINEER: KJM		APPROVAL: RFC	12-MAY-14
SIGNATURES	DATE												
DRAWN: KJM	12-MAY-14												
CHECKED: MRF	12-MAY-14												
ENGINEER: KJM													
APPROVAL: RFC	12-MAY-14												
MATERIAL SPECIFICATIONS:		<p style="text-align: center;">Amphenol</p> <p>Sine Systems - www.sineco.com 44724 Morley Drive Clinton Township, MI 48036</p>											
PROCESS SPECIFICATIONS:		ECOMATE 7 POS CIRCULAR MOLDED, STD, STRAIN RELIEF, MALE TO LEADS, 16AWG											
NEXT ASSY:		THIS DRAWING IS SUPPLIED FOR INFORMATION ONLY. DESIGN FEATURES, SPECIFICATIONS AND PERFORMANCE DATA SHOWN HEREON ARE THE PROPERTY OF THE AMPHENOL CORPORATION. NO RIGHTS OF REPRODUCTION ARE IMPLIED. ALL DIMENSIONS ARE SUBJECT TO NORMAL MANUFACTURING VARIATIONS.											
		SIZE: C- SCALE: HALF	DWG NO: CA0161A226XX012 REVISION: A1 SHEET 1 OF 1										