



Chipsmall Limited consists of a professional team with an average of over 10 year of expertise in the distribution of electronic components. Based in Hongkong, we have already established firm and mutual-benefit business relationships with customers from,Europe,America and south Asia,supplying obsolete and hard-to-find components to meet their specific needs.

With the principle of “Quality Parts,Customers Priority,Honest Operation,and Considerate Service”,our business mainly focus on the distribution of electronic components. Line cards we deal with include Microchip,ALPS,ROHM,Xilinx,Pulse,ON,Everlight and Freescale. Main products comprise IC,Modules,Potentiometer,IC Socket,Relay,Connector.Our parts cover such applications as commercial,industrial, and automotives areas.

We are looking forward to setting up business relationship with you and hope to provide you with the best service and solution. Let us make a better world for our industry!



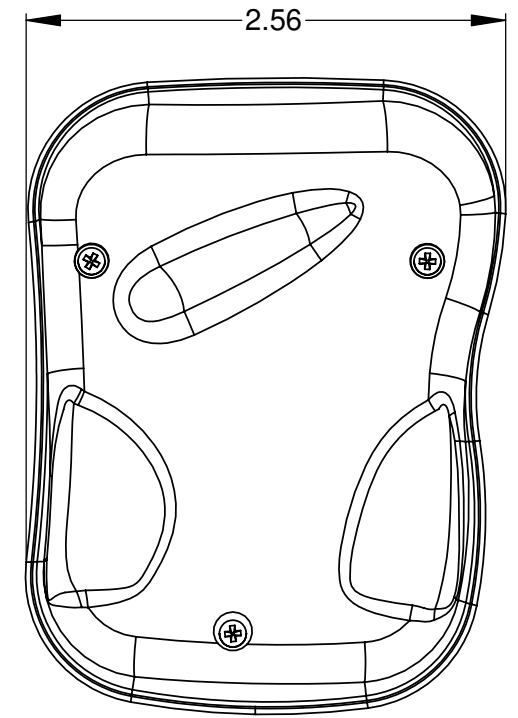
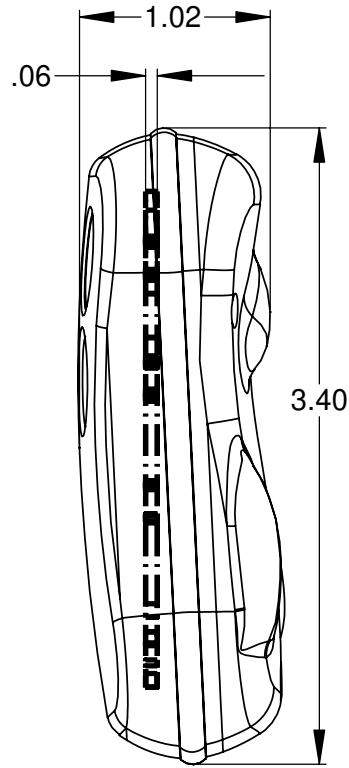
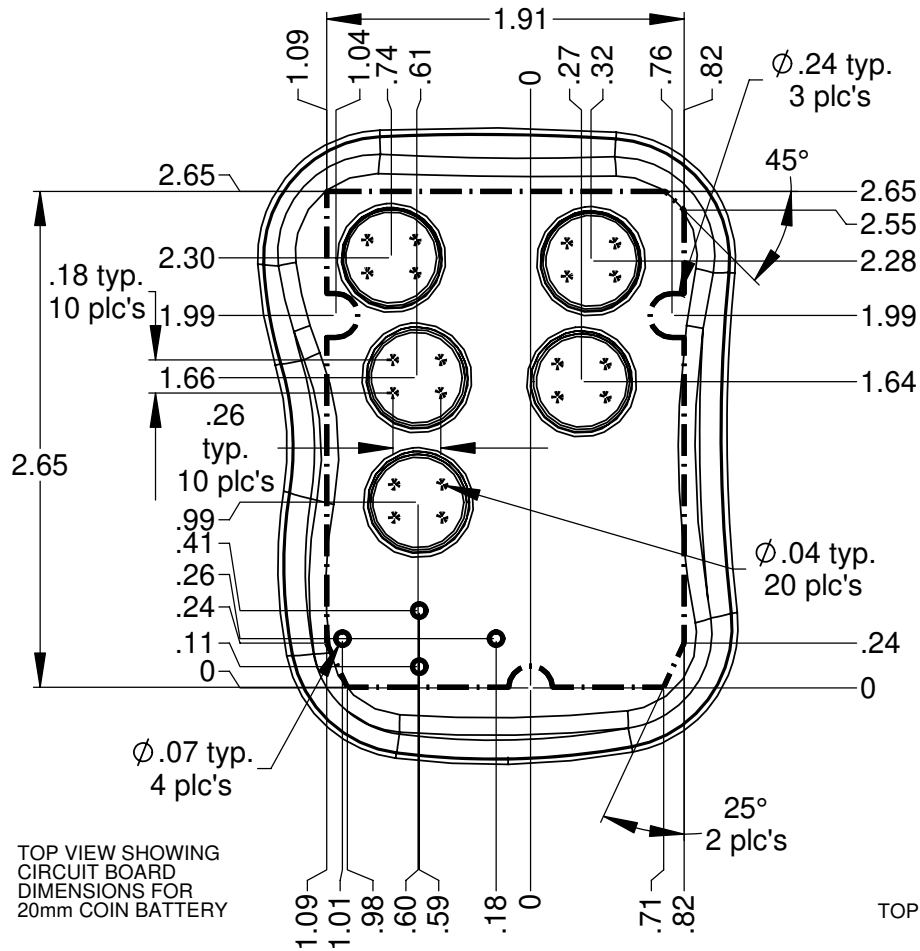
Contact us

Tel: +86-755-8981 8866 Fax: +86-755-8427 6832

Email & Skype: info@chipsmall.com Web: www.chipsmall.com

Address: A1208, Overseas Decoration Building, #122 Zhenhua RD., Futian, Shenzhen, China





TOP VIEW SHOWING
CIRCUIT BOARD
DIMENSIONS FOR
20mm COIN BATTERY

- NOTES:**
1) Serpac Provides the following components:
Top, Bottom, Button Membrane and (3) #2 Screws.
All components are shipped unassembled.

2) The following components fit this enclosure.

	Manufacturer	PN option I	PN option II
A	OMRON	6mm type: B3F-1000, B3F1002, B3F-1020	
A	PANASONIC	6mm EVQ-P1D05M, EVQ-PAG04M, EVQ-PAE04M	6 X 3.5mm type: EVQ-PJA04Q, EVQ-PJA05Q, EVQ-PJB04K
Other switches manufacturers and types will fit the unit.			
B	KEYSTONE	3003 positive	
B	KEYSTONE	2990 negative	

