



Chipsmall Limited consists of a professional team with an average of over 10 year of expertise in the distribution of electronic components. Based in Hongkong, we have already established firm and mutual-benefit business relationships with customers from,Europe,America and south Asia,supplying obsolete and hard-to-find components to meet their specific needs.

With the principle of “Quality Parts,Customers Priority,Honest Operation,and Considerate Service”,our business mainly focus on the distribution of electronic components. Line cards we deal with include Microchip,ALPS,ROHM,Xilinx,Pulse,ON,Everlight and Freescale. Main products comprise IC,Modules,Potentiometer,IC Socket,Relay,Connector.Our parts cover such applications as commercial,industrial, and automotives areas.

We are looking forward to setting up business relationship with you and hope to provide you with the best service and solution. Let us make a better world for our industry!



Contact us

Tel: +86-755-8981 8866 Fax: +86-755-8427 6832

Email & Skype: info@chipsmall.com Web: www.chipsmall.com

Address: A1208, Overseas Decoration Building, #122 Zhenhua RD., Futian, Shenzhen, China



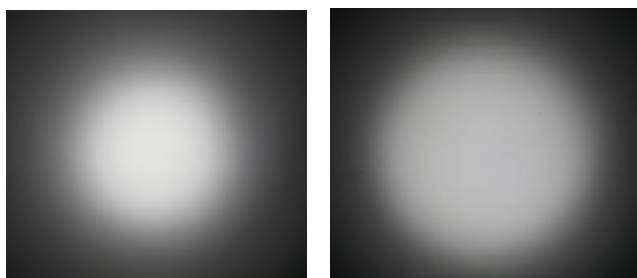
Britney reflectors for Bridgelux BXRA C4500 & W3000 series of LEDs



- Specially designed for Bridgelux BXRA-C4500 and W3000 series of LEDs.
- Special care taken to make a uniform visually pleasing white or warm white illumination.
- Easy to assemble to the PCB accurately.
- Reflector is shipped with a PU foam adhesive tape of automotive grade attached for easy mounting.
- Reflector material optical grade metal and protective lacquer coated PC. Allows use of high current and temperature conditions.

REFLECTOR TYPES

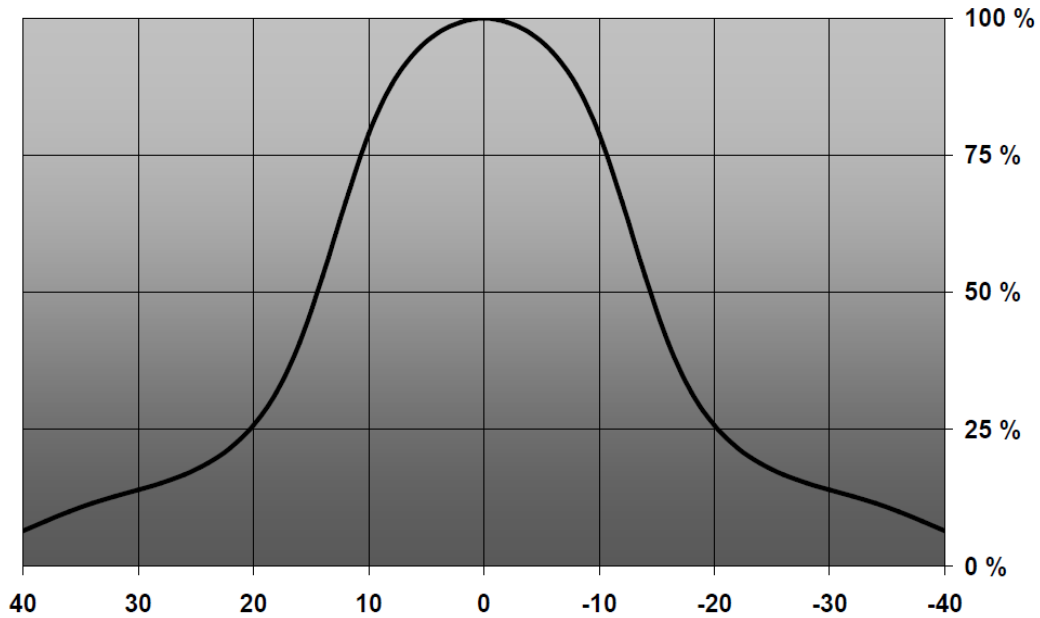
NAME	ORDERING CODE	FWHM Angle
Britney Medium	CA11401_Britney-M	±14°
Britney Wide	CA11402_Britney-W	±24°



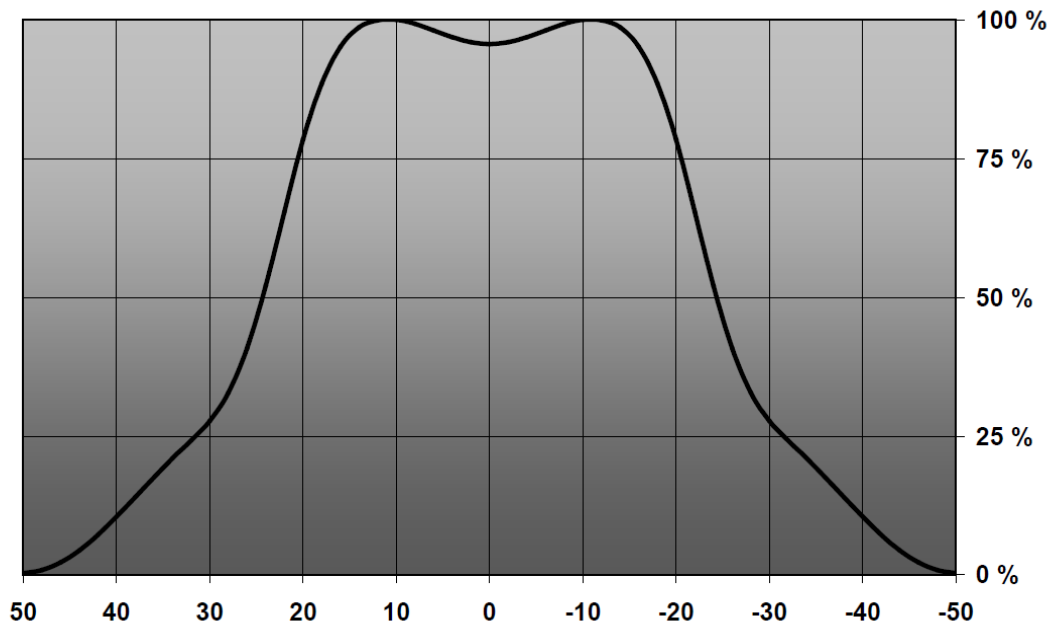
© Ledil Oy – PRELIMINARY - Subject to change without prior notice

Measurement data

Relative Intensity of CA11401_Britney-M



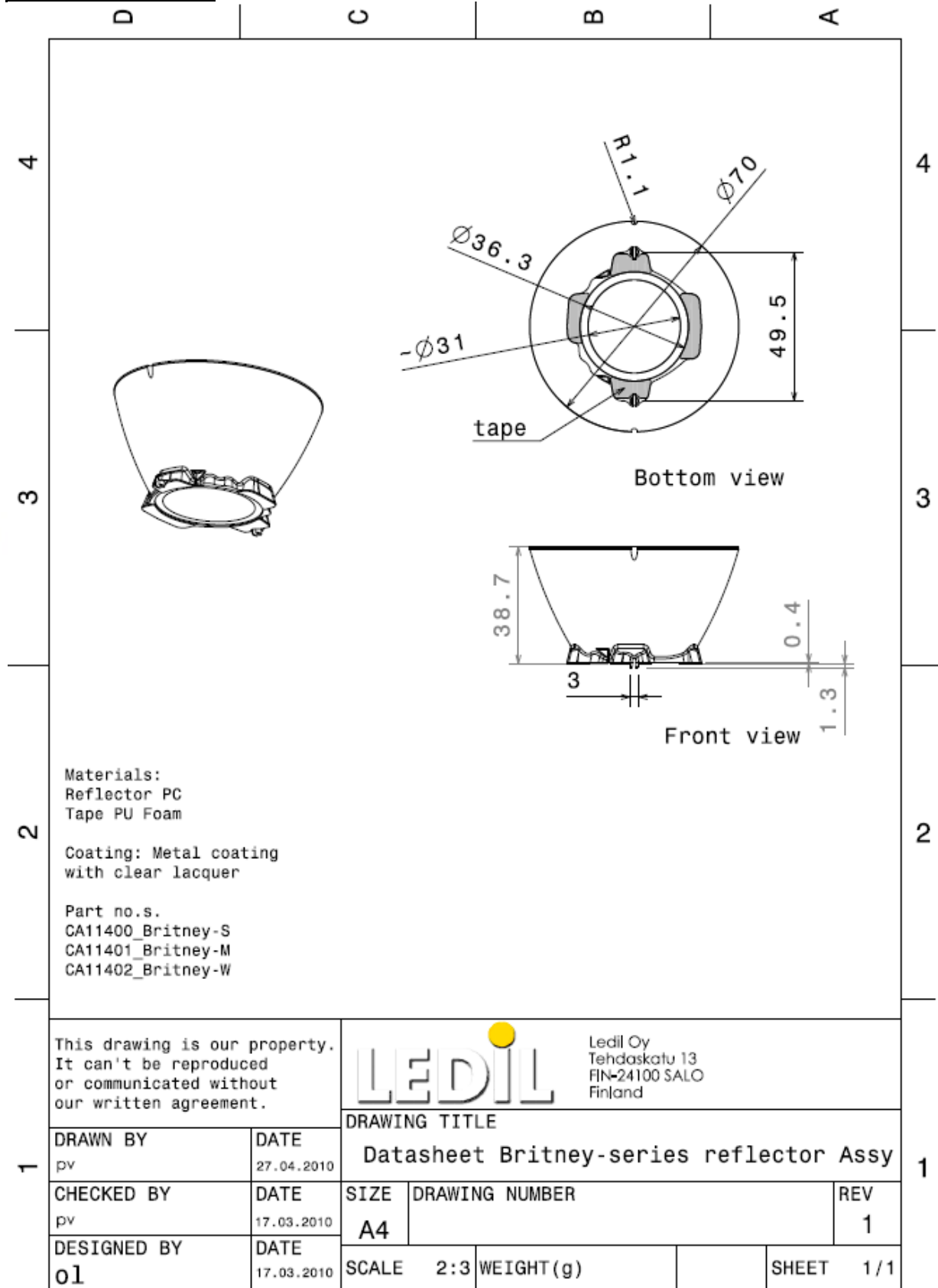
Relative Intensity of CA11402_Britney-W



EULUMDAT & IES FILES AVAILABLE BY REQUEST

© Ledil Oy – PRELIMINARY - Subject to change without prior notice

DRAWINGS



© Ledil Oy – PRELIMINARY - Subject to change without prior notice