



Chipsmall Limited consists of a professional team with an average of over 10 year of expertise in the distribution of electronic components. Based in Hongkong, we have already established firm and mutual-benefit business relationships with customers from,Europe,America and south Asia,supplying obsolete and hard-to-find components to meet their specific needs.

With the principle of “Quality Parts,Customers Priority,Honest Operation,and Considerate Service”,our business mainly focus on the distribution of electronic components. Line cards we deal with include Microchip,ALPS,ROHM,Xilinx,Pulse,ON,Everlight and Freescale. Main products comprise IC,Modules,Potentiometer,IC Socket,Relay,Connector.Our parts cover such applications as commercial,industrial, and automotives areas.

We are looking forward to setting up business relationship with you and hope to provide you with the best service and solution. Let us make a better world for our industry!



## Contact us

Tel: +86-755-8981 8866 Fax: +86-755-8427 6832

Email & Skype: info@chipsmall.com Web: www.chipsmall.com

Address: A1208, Overseas Decoration Building, #122 Zhenhua RD., Futian, Shenzhen, China



## STRADA-T-DW

Soft wide beam with good illuminance uniformity optimized for CREE XP-G and XP-E. Assembly with installation tape.

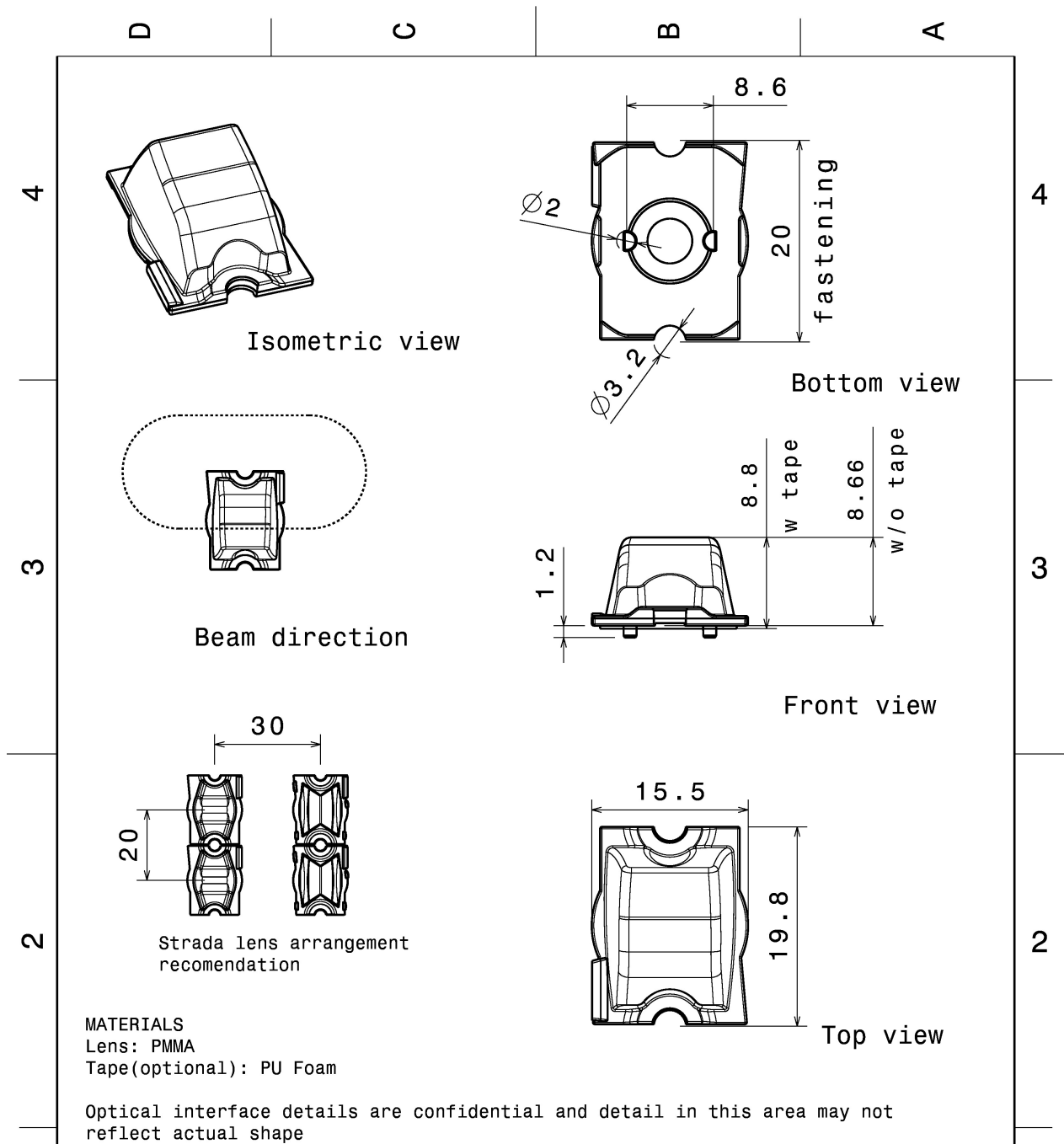
### TECHNICAL SPECIFICATIONS:

Dimensions	19.6 x 15.5 mm
Height	10.7 mm
Fastening	pin, tape, screw
Colour	clear
Box size	451 x 254 x 197 mm
Box weight	4 kg
Quantity in Box	2880 pcs
ROHS compliant	yes ⓘ



### MATERIAL SPECIFICATIONS:

Component	Type	Material	Colour
STRADA-T-DW	Lens	PMMA	clear
VOSU-WU-M-365-TAPE	Tape		

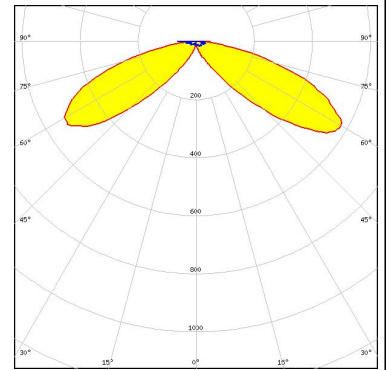


This drawing is our property. It can't be reproduced or communicated without our written agreement.		<b>LEDiL</b>		Ledil Oy Salorankatu 10 FIN-24100 SALO Finland	
<b>DRAWING TITLE</b>		Datashet Strada-T-DN Lens			
<b>DRAWN BY</b> ah	<b>DATE</b> 26.9.2012	<b>SIZE</b> A4		<b>DRAWING NUMBER</b>	
<b>CHECKED BY</b> sn	<b>DATE</b> 26.9.2012	<b>SCALE</b> 2:1		<b>REV</b> 2	
<b>DESIGNED BY</b> hh	<b>DATE</b> 14.05.2010	<b>WEIGHT (g)</b>		<b>SHEET</b> 1/1	

#### PHOTOMETRIC DATA (MEASURED):

#### CREE

LED XB-D  
FWHM Asymmetric  
Efficiency 93 %  
Peak intensity cd/lm  
Required components:



#### CREE

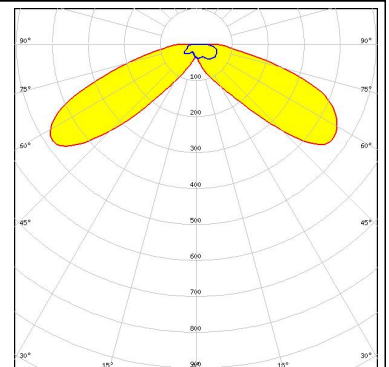
LED XP-E  
FWHM Asymmetric  
Efficiency 92 %  
Peak intensity cd/lm  
Required components:

#### CREE

LED XP-G  
FWHM Asymmetric  
Efficiency 92 %  
Peak intensity cd/lm  
Required components:

#### LG Innotek

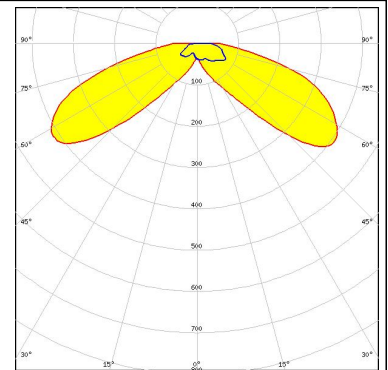
LED H35B0 (LEMWA32)  
FWHM Asymmetric  
Efficiency 92 %  
Peak intensity 0.800 cd/lm  
Required components:



### PHOTOMETRIC DATA (MEASURED):

#### LG Innotek

LED H35C0 (LEMWA33)  
FWHM Asymmetric  
Efficiency 91 %  
Peak intensity 0.750 cd/lm  
Required components:



#### LUMILEDS

LED LUXEON A  
FWHM Asymmetric  
Efficiency 92 %  
Peak intensity cd/lm  
Required components:

#### LUMILEDS

LED LUXEON Rebel  
FWHM Asymmetric  
Efficiency 92 %  
Peak intensity cd/lm  
Required components:

#### LUMILEDS

LED LUXEON Rebel ES  
FWHM Asymmetric  
Efficiency 92 %  
Peak intensity cd/lm  
Required components:

## PHOTOMETRIC DATA (MEASURED):



LED NCSxx19A  
FWHM Asymmetric  
Efficiency 92 %  
Peak intensity cd/lm  
Required components:

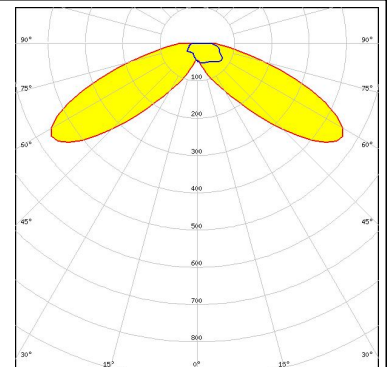


LED NVSxx19A  
FWHM Asymmetric  
Efficiency 92 %  
Peak intensity cd/lm  
Required components:



Osram Opto Semiconductors

LED Oslon Square PC  
FWHM Asymmetric  
Efficiency 92 %  
Peak intensity cd/lm  
Required components:



Osram Opto Semiconductors

LED Oslon SSL 150  
FWHM Asymmetric  
Efficiency 92 %  
Peak intensity cd/lm  
Required components:

## PHOTOMETRIC DATA (MEASURED):

**OSRAM**  
Opto Semiconductors

LED Oslon SSL 80  
FWHM Asymmetric  
Efficiency 92 %  
Peak intensity cd/lm  
Required components:

**SEAGULL**  
SEOUL SEMICONDUCTOR

LED Z5  
FWHM Asymmetric  
Efficiency 92 %  
Peak intensity cd/lm  
Required components:

**SHARP**

LED Double Dome (GM2BB)  
FWHM Asymmetric  
Efficiency 92 %  
Peak intensity cd/lm  
Required components:

### GENERAL INFORMATION:

NOTE: The typical beam angle will be changed by different color, chip size and chip position tolerance. The typical total beam angle is the full angle measured where the luminous intensity is half of the peak value.

### MATERIALS:

As part of our continuous research and improvement processes, and to ensure the best possible quality and availability of our products, LEDiL reserves the right to change material grades without notice.

### PRODUCT DATA USER AGREEMENT AND DISCLAIMER:

The measured data in the provided downloadable LEDiL Product Datasheets and Mechanical 2D-Drawings is rounded and provided as reference for planning. LEDiL Oy's optical specifications have been verified by conducting performance testing of the products in accordance with the company's quality system. The reported data are averaged results of multiple measurements with typical variation. LEDiL Oy reserves the right to without prior notification make changes and improvements to its products.

LEDiL Oy assumes neither warranty, nor guarantee nor any other liability of any kind for the contents and correctness of the provided data. The provided data has been generated with highest diligence but the provided data may in reality not represent the complete possible variation range of all intrinsic parameters. Therefore, in certain cases a deviation from the provided data could occur.

LEDiL Oy reserves the right to undertake technical changes of its products without further notification which could lead to changes in the provided data. LEDiL Oy assumes no liability of any kind for the possible deviation from any provided data or any other damage resulting from the usage of the provided data.

The user agrees to this disclaimer and user agreement with the download or usage of the provided files.

#### LEDiL Oy

Joensuunkatu 13  
FI-24240 SALO  
Finland

#### LEDiL Inc.

228 West Page Street  
Suite D  
Sycamore IL 60178  
USA

#### Local sales and technical support

[www.ledil.com/  
where\\_to\\_buy](http://www.ledil.com/where_to_buy)

#### Shipping locations

Salo, Finland  
Hong Kong, China

#### Distribution Partners

[www.ledil.com/  
where\\_to\\_buy](http://www.ledil.com/where_to_buy)