



Chipsmall Limited consists of a professional team with an average of over 10 year of expertise in the distribution of electronic components. Based in Hongkong, we have already established firm and mutual-benefit business relationships with customers from,Europe,America and south Asia,supplying obsolete and hard-to-find components to meet their specific needs.

With the principle of “Quality Parts,Customers Priority,Honest Operation,and Considerate Service”,our business mainly focus on the distribution of electronic components. Line cards we deal with include Microchip,ALPS,ROHM,Xilinx,Pulse,ON,Everlight and Freescale. Main products comprise IC,Modules,Potentiometer,IC Socket,Relay,Connector.Our parts cover such applications as commercial,industrial, and automotives areas.

We are looking forward to setting up business relationship with you and hope to provide you with the best service and solution. Let us make a better world for our industry!



## Contact us

Tel: +86-755-8981 8866 Fax: +86-755-8427 6832

Email & Skype: info@chipsmall.com Web: www.chipsmall.com

Address: A1208, Overseas Decoration Building, #122 Zhenhua RD., Futian, Shenzhen, China



## LR2 LENSES FOR LUXEON REBEL LEDs



LUXEON



- Specially designed for Luxeon Rebel series of LEDs.
- Special care taken to make a uniform white or warm white illumination.
- Lens material optical grade PMMA. Allows use of high current and temperature conditions (105°C/220°F)
- Best available optical efficiency, more than 90%, with an extremely good cut-off of light
- Comes with position pins
- Fastening of holden to PCB with appropriate adhesive tape, please check fastening details from this link: ([http://www.ledil.com/datasheets/DataSheet\\_TAPE.pdf](http://www.ledil.com/datasheets/DataSheet_TAPE.pdf))

## LENS TYPES

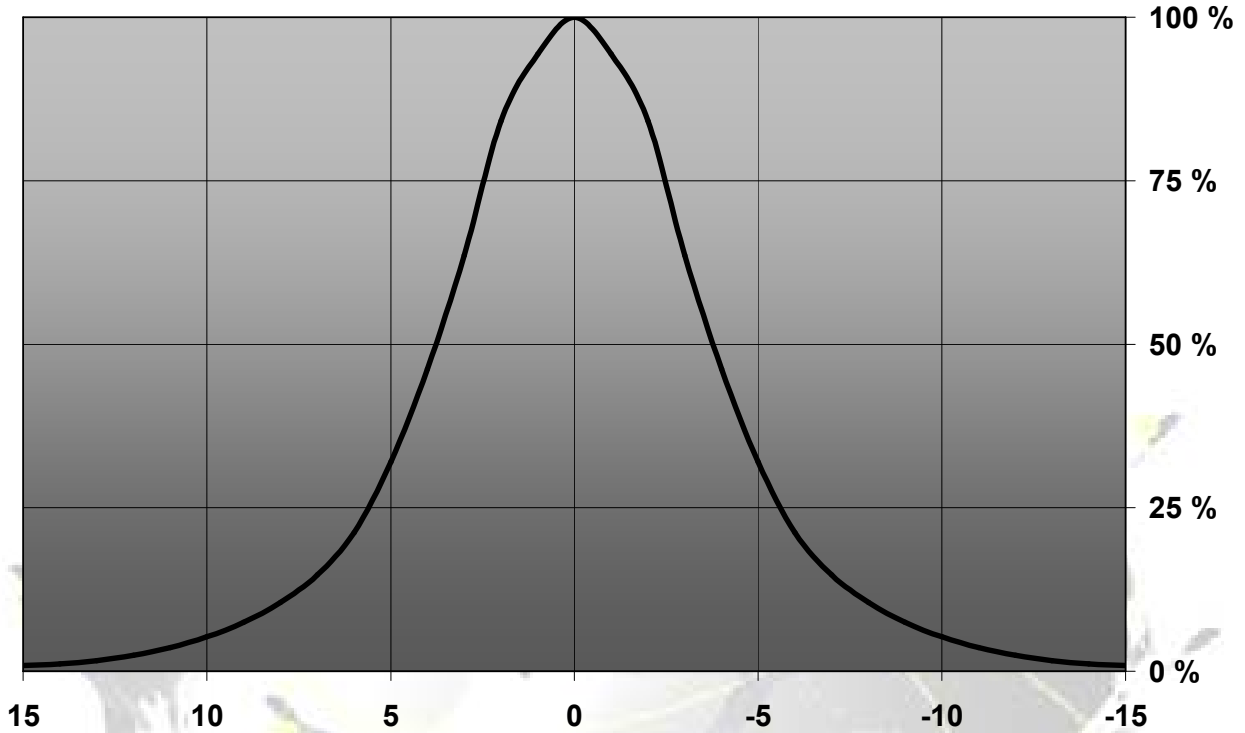
NAME	ORDERING CODE	FWHM Angle
LR2 REAL SPOT	CA11637_LR2-RS	±4°
LR2 DIFFUSER	CA11638_LR2-D	±5.5°
LR2 MEDIUM	CA11639_LR2-M	Coming soon
LR2 MEDIUM 2	4FCA11467_LR1-M-tape2	±15°
LR2 REC	4FCA11273_LR1-Rec-tape	±8° x ±19°
LR2 O-90	4FCA11276_LR1-O-90-tape	±18° x ±10°
LR2 WIDE	4FCA11275_LR1-W-tape	±23°

## EULUMDAT & IES FILES AVAILABLE BY REQUEST

© Ledil Oy – PRELIMINARY - Subject to change without prior notice

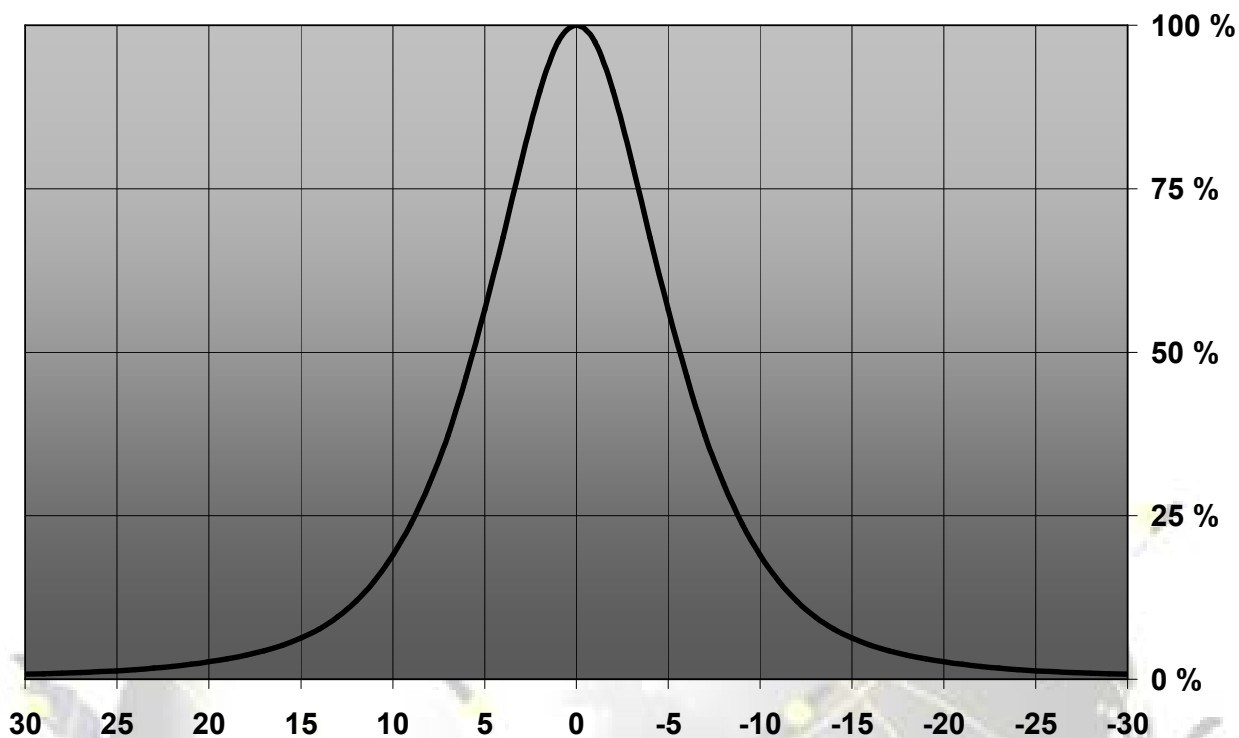
## MEASUREMENT DATA

Relative Intensity of CA11637\_LR2-RS



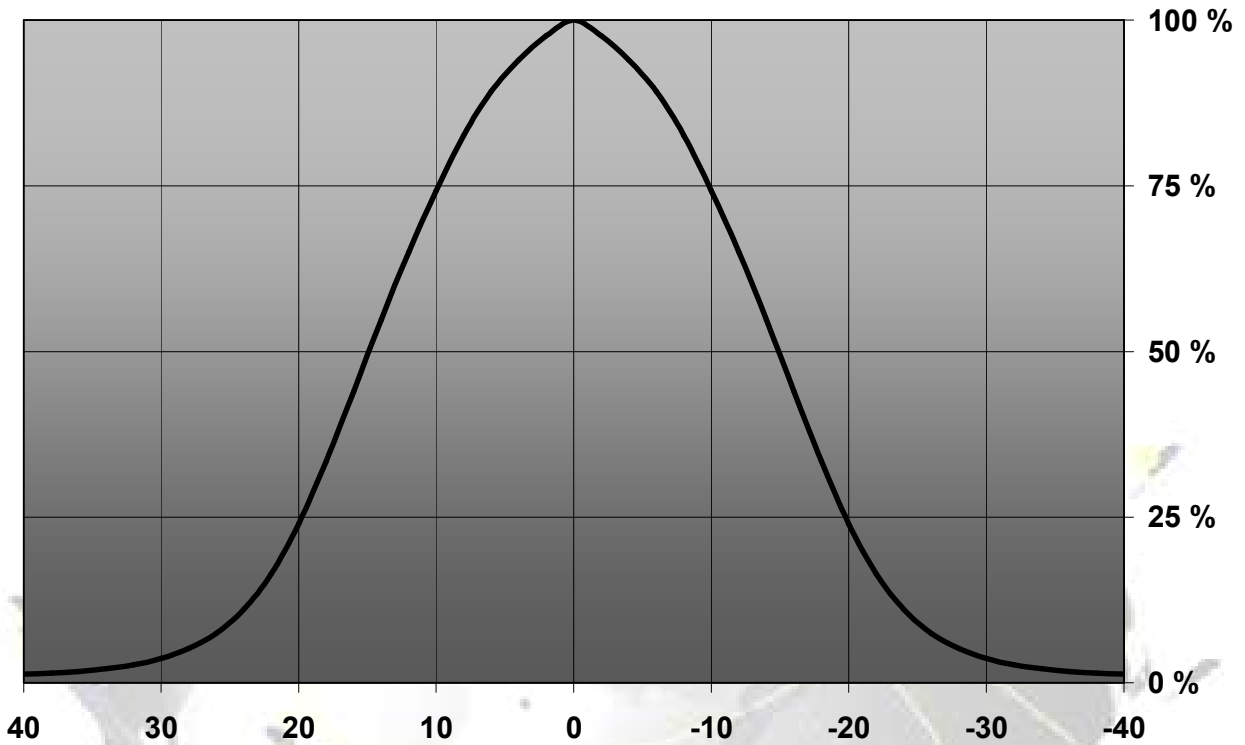
© Ledil Oy – PRELIMINARY - Subject to change without prior notice

Relative Intensity of CA11638\_LR2-D



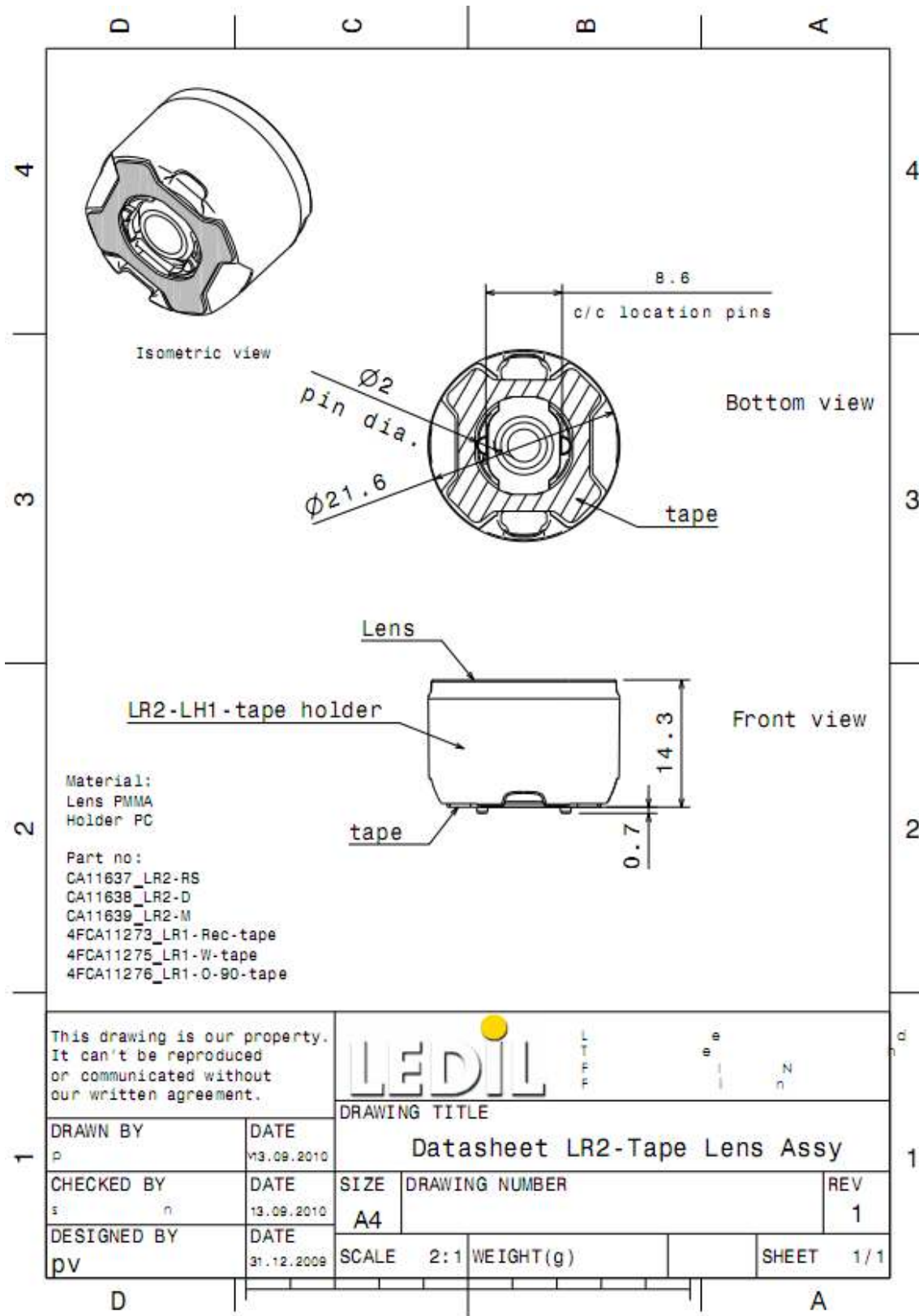
© Ledil Oy – PRELIMINARY - Subject to change without prior notice

Relative Intensity of 4FCA11467\_LR1-M-tape2



© Ledil Oy – PRELIMINARY - Subject to change without prior notice

## DRAWINGS



© Ledil Oy - PRELIMINARY - Subject to change without prior notice