



Chipsmall Limited consists of a professional team with an average of over 10 year of expertise in the distribution of electronic components. Based in Hongkong, we have already established firm and mutual-benefit business relationships with customers from,Europe,America and south Asia,supplying obsolete and hard-to-find components to meet their specific needs.

With the principle of “Quality Parts,Customers Priority,Honest Operation,and Considerate Service”,our business mainly focus on the distribution of electronic components. Line cards we deal with include Microchip,ALPS,ROHM,Xilinx,Pulse,ON,Everlight and Freescale. Main products comprise IC,Modules,Potentiometer,IC Socket,Relay,Connector.Our parts cover such applications as commercial,industrial, and automotives areas.

We are looking forward to setting up business relationship with you and hope to provide you with the best service and solution. Let us make a better world for our industry!



Contact us

Tel: +86-755-8981 8866 Fax: +86-755-8427 6832

Email & Skype: info@chipsmall.com Web: www.chipsmall.com

Address: A1208, Overseas Decoration Building, #122 Zhenhua RD., Futian, Shenzhen, China



SURI-RS

~6° real spot beam. Assembly with holder and installation tape.

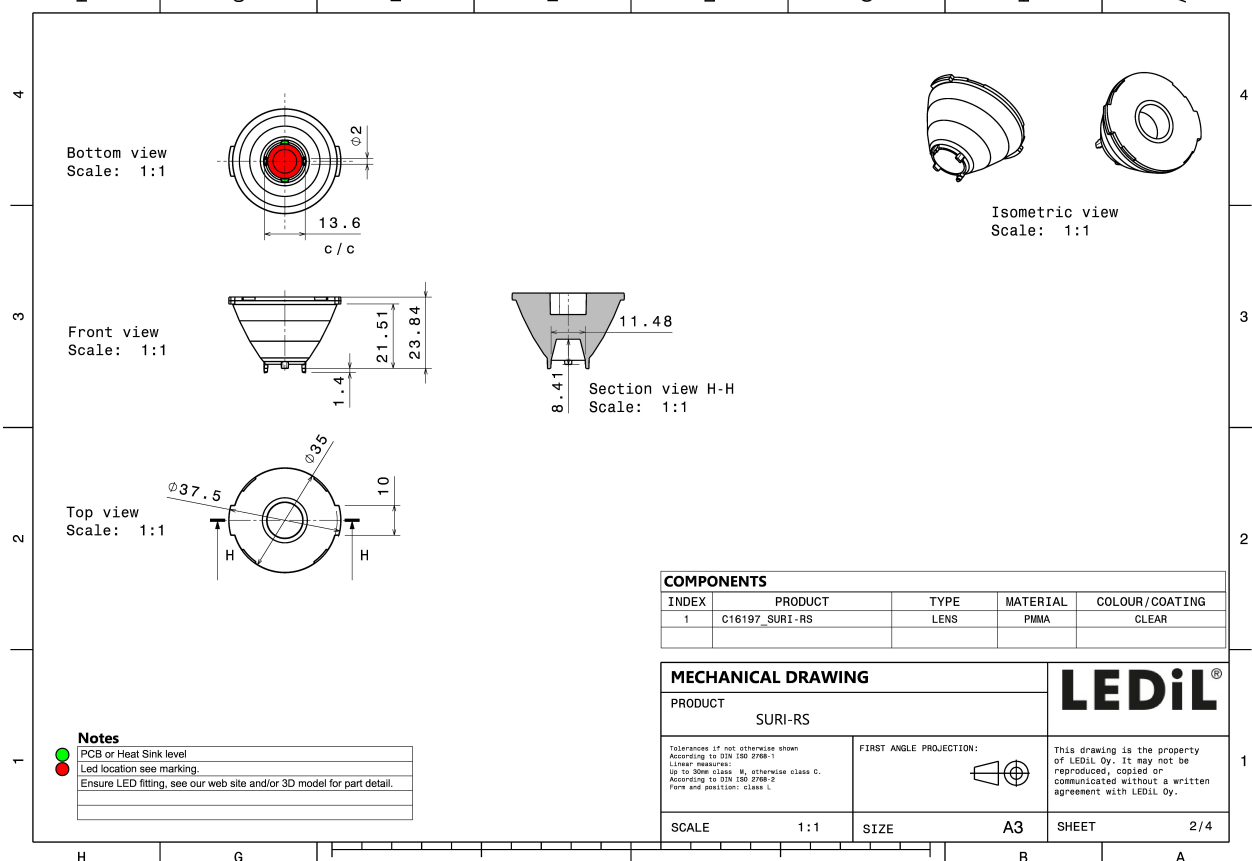
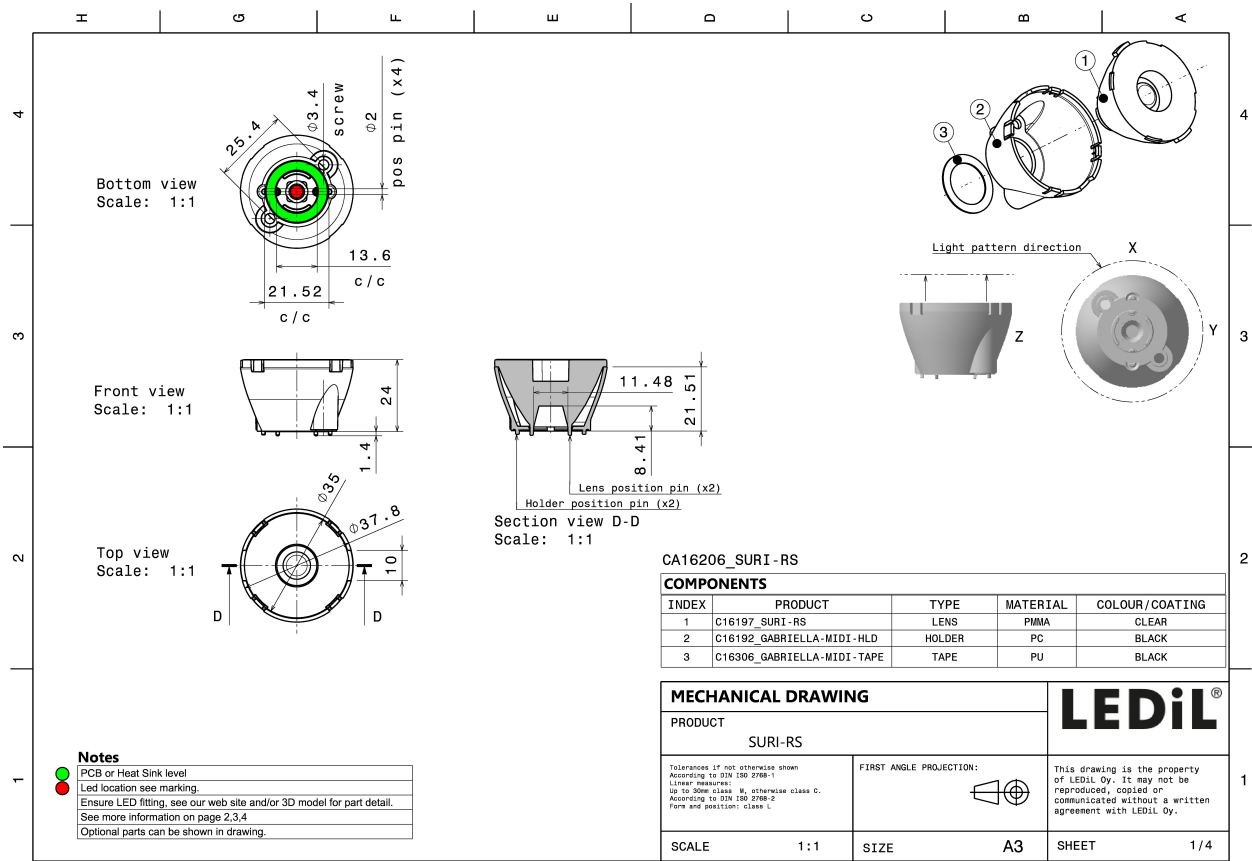
TECHNICAL SPECIFICATIONS:

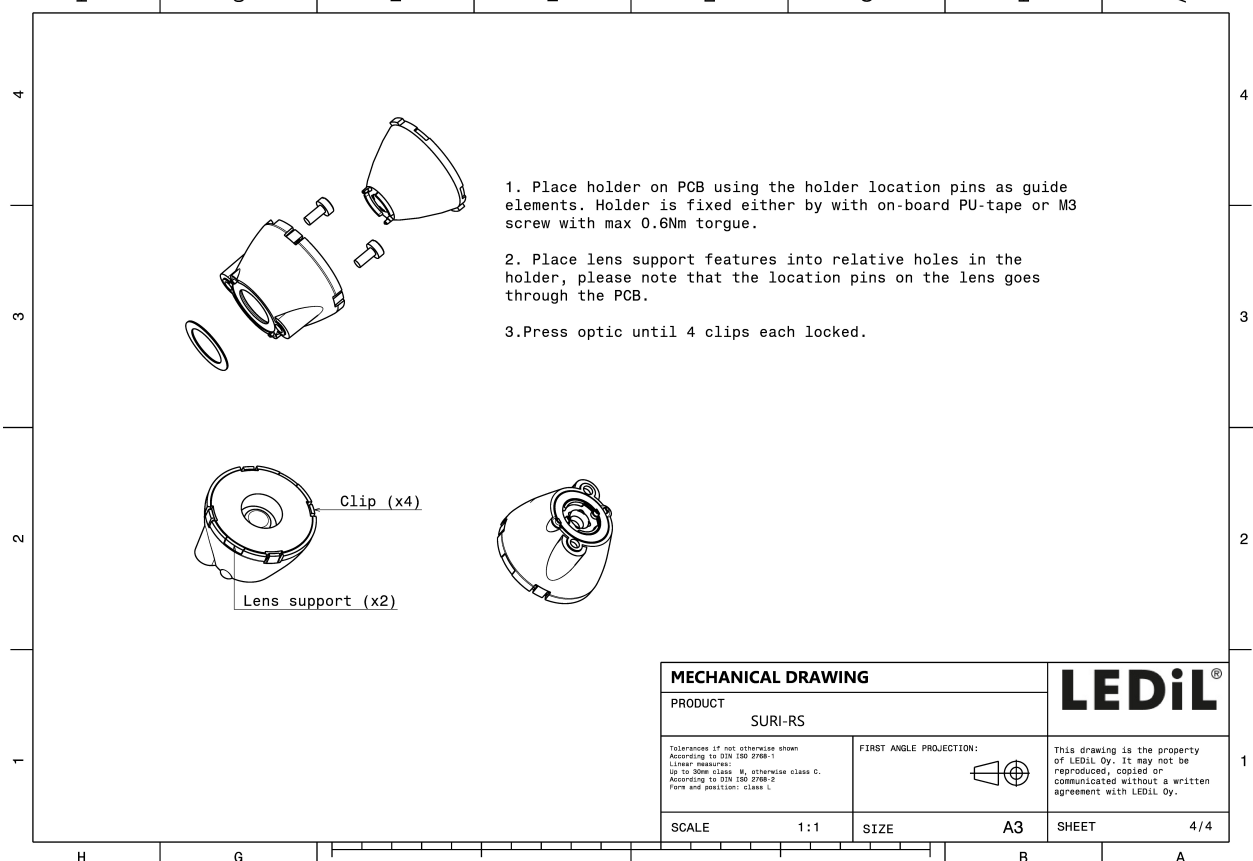
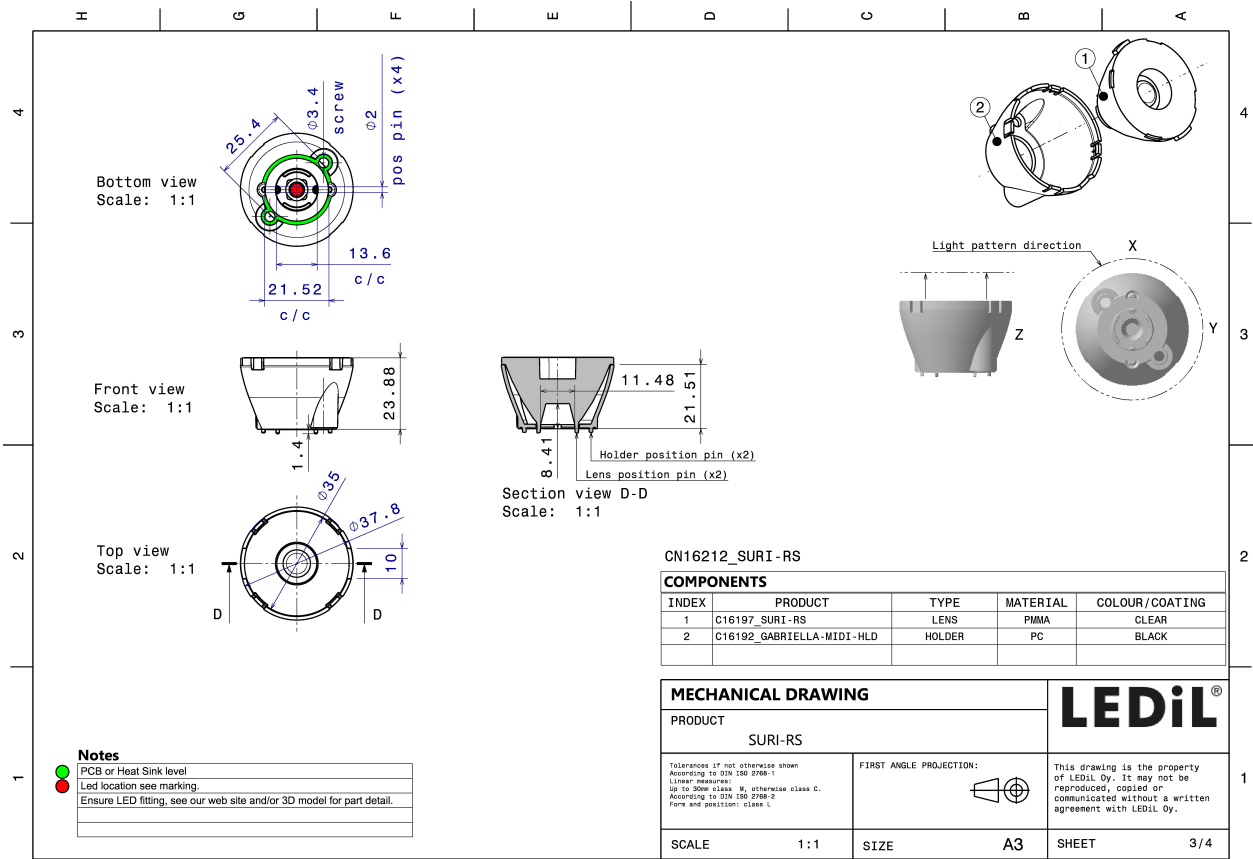
Dimensions	Ø 37.8 mm
Height	24 mm
Fastening	tape, pin
Colour	black
Box size	476 x 273 x 292 mm
Box weight	11.7 kg
Quantity in Box	500 pcs
ROHS compliant	yes ⓘ



MATERIAL SPECIFICATIONS:

Component	Type	Material	Colour
SURI-RS	Lens	PMMA	clear
GABRIELLA-MIDI-HLD	Holder	PC	black

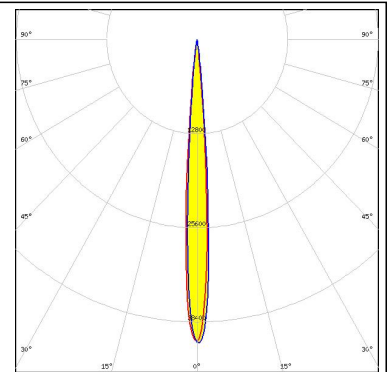
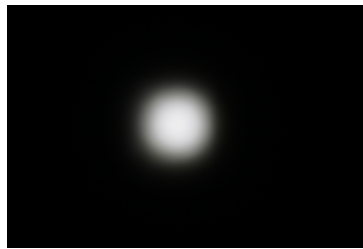




PHOTOMETRIC DATA (MEASURED):

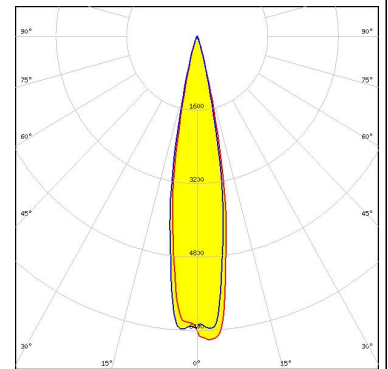
CREE 

LED XHP35 HI
 FWHM 8.0°
 Efficiency 91 %
 Peak intensity 41.000 cd/lm
 Required components:



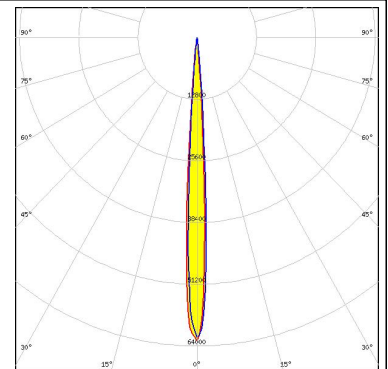
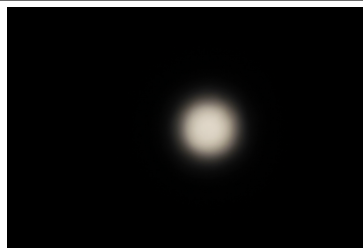
CREE 

LED XHP70.2
 FWHM 20.0°
 Efficiency 87 %
 Peak intensity 6.600 cd/lm
 Required components:



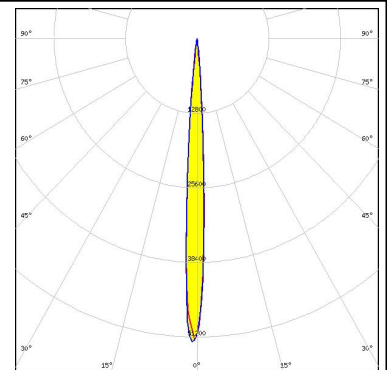
CREE 

LED XP-G2
 FWHM 7.0°
 Efficiency 94 %
 Peak intensity 63.100 cd/lm
 Required components:



CREE 

LED XP-L HI
 FWHM 7.0°
 Efficiency 91 %
 Peak intensity 52.400 cd/lm
 Required components:

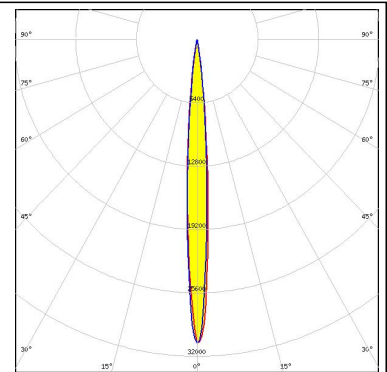
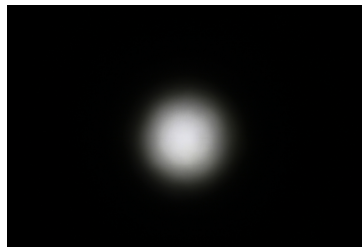


PHOTOMETRIC DATA (MEASURED):

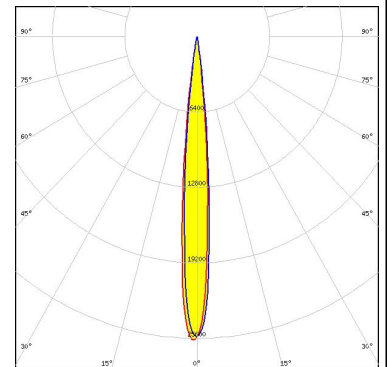


LED XP-L HI
 FWHM 8.0°
 Efficiency 90 %
 Peak intensity 30.600 cd/Im
 Required components:

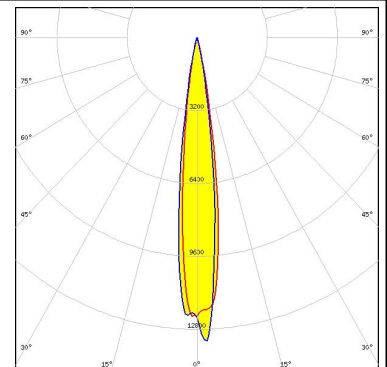
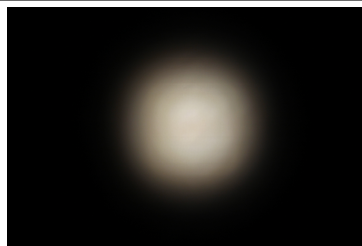
Undefined Manufacturer: Protective Plate, Glass



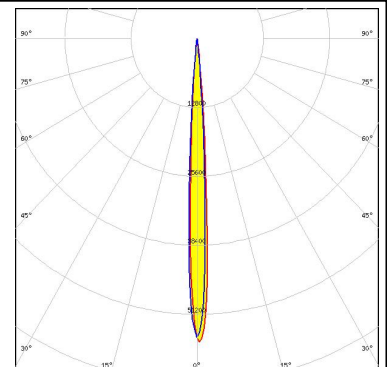
LED LUXEON V
 FWHM 10.0°
 Efficiency 88 %
 Peak intensity 26.000 cd/Im
 Required components:



LED Duris S8
 FWHM 14.0°
 Efficiency 90 %
 Peak intensity 13.000 cd/Im
 Required components:



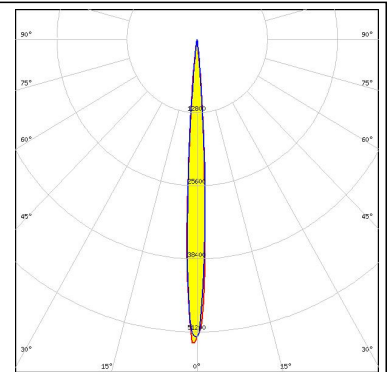
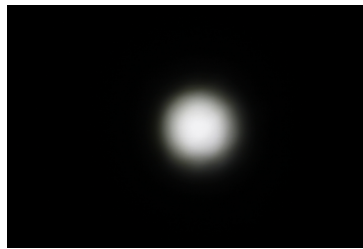
LED Oslon Square EC
 FWHM 6.0°
 Efficiency 90 %
 Peak intensity 56.000 cd/Im
 Required components:



PHOTOMETRIC DATA (MEASURED):

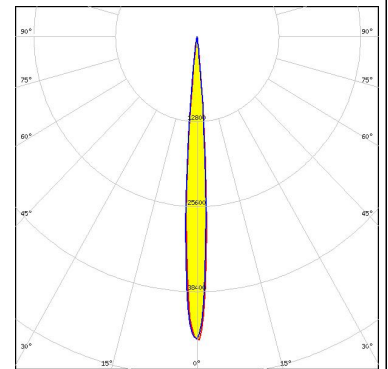
OSRAM
Opto Semiconductors

LED Oslon Square Gen3
FWHM 7.0°
Efficiency 91 %
Peak intensity 53.000 cd/lm
Required components:



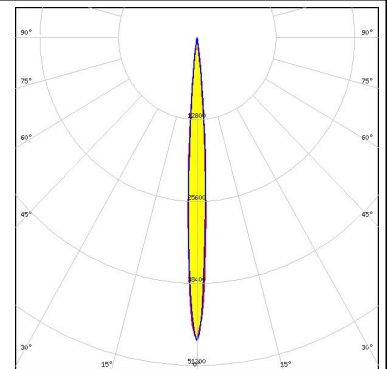
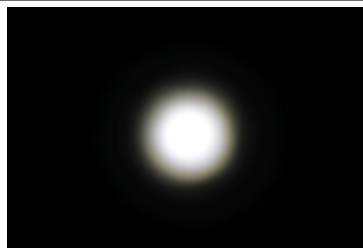
SAMSUNG

LED LH351B
FWHM 8.0°
Efficiency 93 %
Peak intensity 45.600 cd/lm
Required components:



SAMSUNG

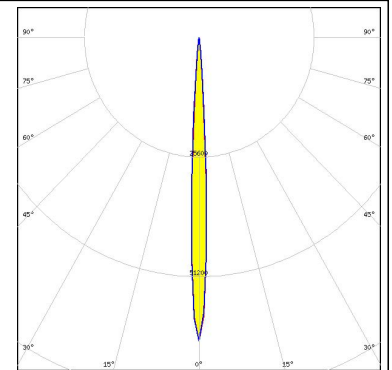
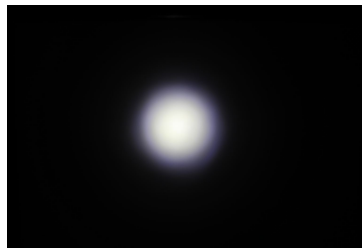
LED LM302A
FWHM 7.0°
Efficiency 92 %
Peak intensity 47.000 cd/lm
Required components:



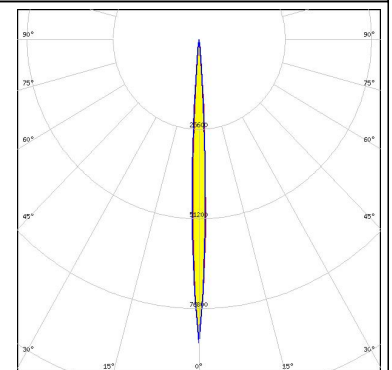
PHOTOMETRIC DATA (SIMULATED):



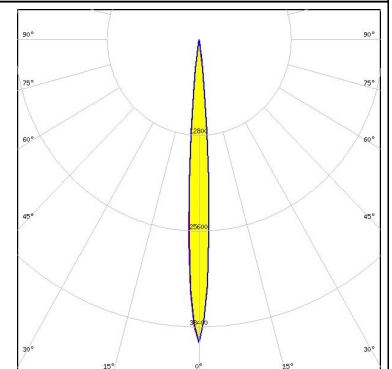
LED XD16
FWHM 5.9°
Efficiency 89 %
Peak intensity 64.970 cd/lm
Required components:



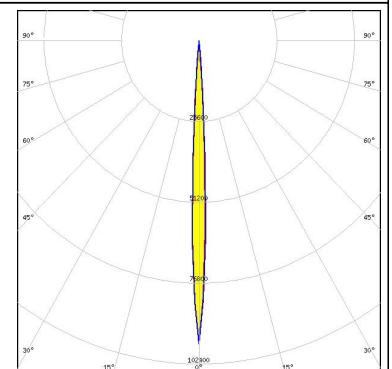
LED XP-E2
FWHM 5.0°
Efficiency 91 %
Peak intensity 85.000 cd/lm
Required components:



LED XP-G3
FWHM 7.7°
Efficiency 90 %
Peak intensity 40.500 cd/lm
Required components:



LED XQ-E
FWHM 5.2°
Efficiency 92 %
Peak intensity 96.100 cd/lm
Required components:



PHOTOMETRIC DATA (SIMULATED):

<p>LUMILEDS</p> <p>LED LUXEON MZ</p> <p>FWHM 10.5°</p> <p>Efficiency 94 %</p> <p>Peak intensity 24.300 cd/lm</p> <p>Required components:</p>	
<p>NICHIA</p> <p>LED NVSxx19B/NVSxx19C</p> <p>FWHM 7.5°</p> <p>Efficiency 94 %</p> <p>Peak intensity 42.860 cd/lm</p> <p>Required components:</p>	
<p>OSRAM Opto Semiconductors</p> <p>LED Oslon Square Gen3</p> <p>FWHM 7.0°</p> <p>Efficiency 92 %</p> <p>Peak intensity 46.000 cd/lm</p> <p>Required components:</p>	
<p>SEOUL SEMICONDUCTOR</p> <p>LED Z8Y50P</p> <p>FWHM 15.5°</p> <p>Efficiency 94 %</p> <p>Peak intensity 10.700 cd/lm</p> <p>Required components:</p>	

GENERAL INFORMATION:

NOTE: The typical beam angle will be changed by different color, chip size and chip position tolerance. The typical total beam angle is the full angle measured where the luminous intensity is half of the peak value.

MATERIALS:

As part of our continuous research and improvement processes, and to ensure the best possible quality and availability of our products, LEDiL reserves the right to change material grades without notice.

PRODUCT DATA USER AGREEMENT AND DISCLAIMER:

The measured data in the provided downloadable LEDiL Product Datasheets and Mechanical 2D-Drawings is rounded and provided as reference for planning. LEDiL Oy's optical specifications have been verified by conducting performance testing of the products in accordance with the company's quality system. The reported data are averaged results of multiple measurements with typical variation. LEDiL Oy reserves the right to without prior notification make changes and improvements to its products.

LEDiL Oy assumes neither warranty, nor guarantee nor any other liability of any kind for the contents and correctness of the provided data. The provided data has been generated with highest diligence but the provided data may in reality not represent the complete possible variation range of all intrinsic parameters. Therefore, in certain cases a deviation from the provided data could occur.

LEDiL Oy reserves the right to undertake technical changes of its products without further notification which could lead to changes in the provided data. LEDiL Oy assumes no liability of any kind for the possible deviation from any provided data or any other damage resulting from the usage of the provided data.

The user agrees to this disclaimer and user agreement with the download or usage of the provided files.

LEDiL Oy

Joensuunkatu 13
FI-24240 SALO
Finland

LEDiL Inc.

228 West Page Street
Suite D
Sycamore IL 60178
USA

Local sales and technical support

[www.ledil.com/
where_to_buy](http://www.ledil.com/where_to_buy)

Shipping locations

Salo, Finland
Hong Kong, China

Distribution Partners

[www.ledil.com/
where_to_buy](http://www.ledil.com/where_to_buy)