



Chipsmall Limited consists of a professional team with an average of over 10 year of expertise in the distribution of electronic components. Based in Hongkong, we have already established firm and mutual-benefit business relationships with customers from,Europe,America and south Asia,supplying obsolete and hard-to-find components to meet their specific needs.

With the principle of “Quality Parts,Customers Priority,Honest Operation,and Considerate Service”,our business mainly focus on the distribution of electronic components. Line cards we deal with include Microchip,ALPS,ROHM,Xilinx,Pulse,ON,Everlight and Freescale. Main products comprise IC,Modules,Potentiometer,IC Socket,Relay,Connector.Our parts cover such applications as commercial,industrial, and automotives areas.

We are looking forward to setting up business relationship with you and hope to provide you with the best service and solution. Let us make a better world for our industry!



Contact us

Tel: +86-755-8981 8866 Fax: +86-755-8427 6832

Email & Skype: info@chipsmall.com Web: www.chipsmall.com

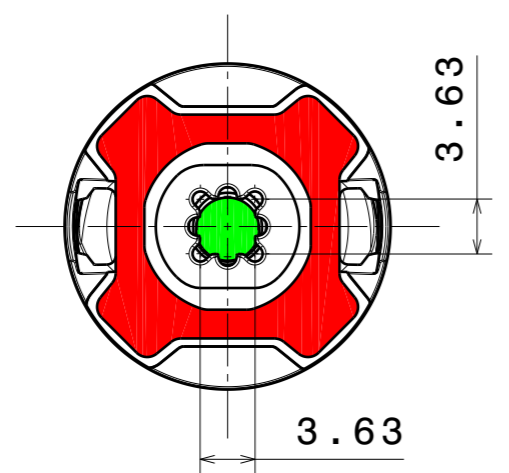
Address: A1208, Overseas Decoration Building, #122 Zhenhua RD., Futian, Shenzhen, China



H G F E D C B A

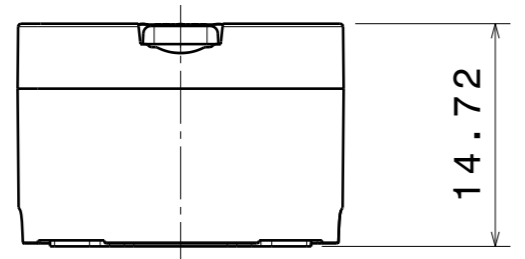
4

Bottom view
Scale: 2:1



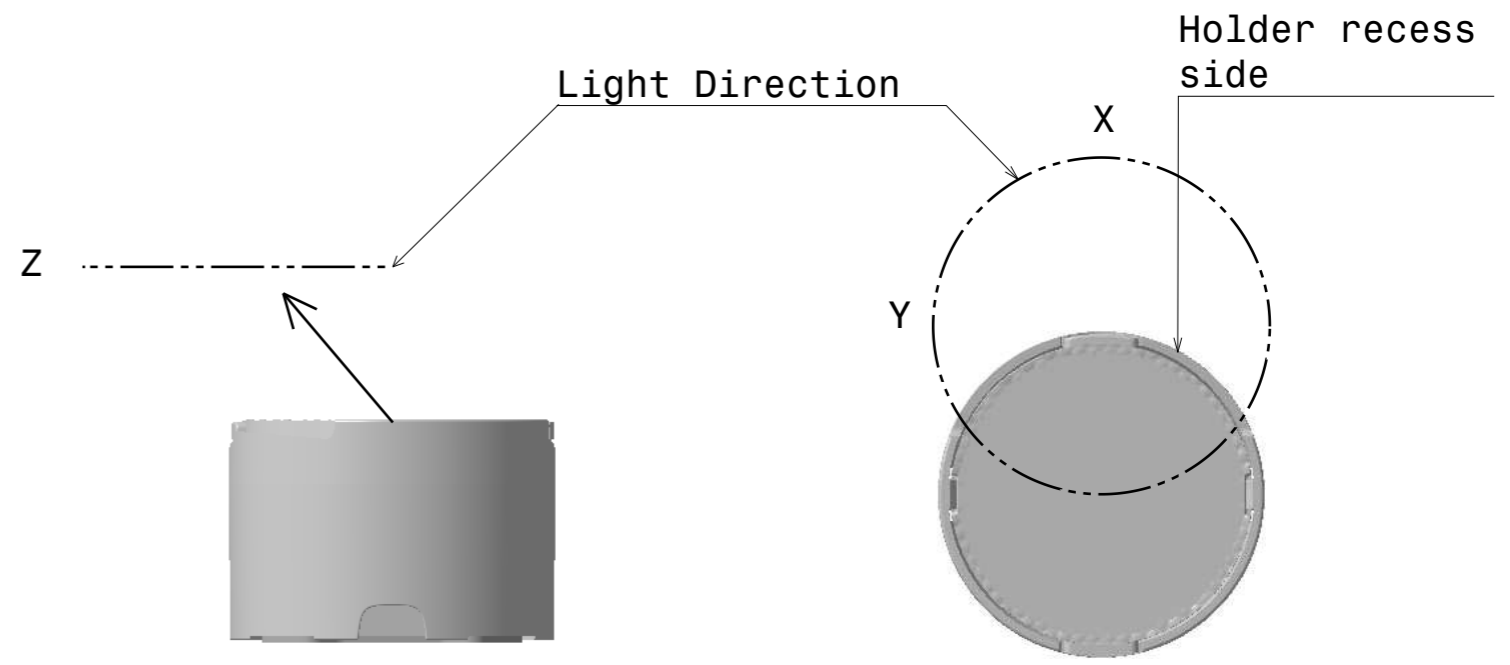
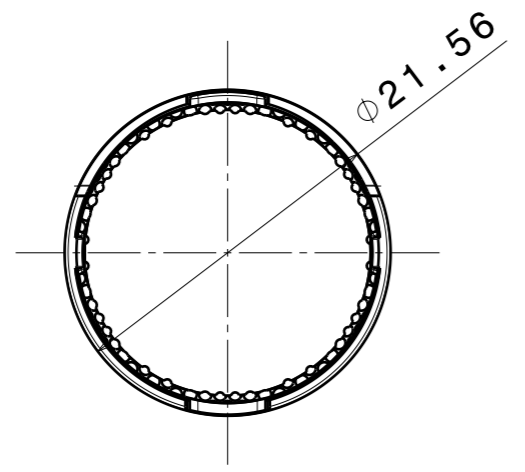
3

Front view
Scale: 2:1



2

Top view
Scale: 2:1



COMPONENTS

CA16435_LXP2-SS-WAS

INDEX	PART	TYPE	MATERIAL	COLOR / COATING
1	C16412_LXP2-SS-WAS	Lens	PMMA 8N	clear
2	C14389_LXP2-WAS-HLD	Holder	PC Makrolon 2407	black
3	C11269_Heidi-tape	Tape	PU double sided foam	black

Notes



1	PCB or heatsink level.
2	LED location.
3	Ensure LED fitting from a product specific 3D model available from www.ledil.com .
-	-

MECHANICAL DRAWING		LEDiL [®]
PRODUCT CA16435_LXP2-SS-WAS		
Tolerances if not otherwise shown According to DIN ISO 2768-1 Linear measures: Up to 30mm class M, otherwise class C. According to DIN ISO 2768-2 Form and position: class L	FIRST ANGLE PROJECTION: 	This drawing is the property of LEDiL Oy. It may not be reproduced, copied or communicated without a written agreement with LEDiL Oy.
SCALE 1:1	WEIGHT -	
		A3 SHEET 1/1

H G B A

4

3

2

1