



Chipsmall Limited consists of a professional team with an average of over 10 year of expertise in the distribution of electronic components. Based in Hongkong, we have already established firm and mutual-benefit business relationships with customers from,Europe,America and south Asia,supplying obsolete and hard-to-find components to meet their specific needs.

With the principle of "Quality Parts,Customers Priority,Honest Operation,and Considerate Service",our business mainly focus on the distribution of electronic components. Line cards we deal with include Microchip,ALPS,ROHM,Xilinx,Pulse,ON,Everlight and Freescale. Main products comprise IC,Modules,Potentiometer,IC Socket,Relay,Connector.Our parts cover such applications as commercial,industrial, and automotives areas.

We are looking forward to setting up business relationship with you and hope to provide you with the best service and solution. Let us make a better world for our industry!



Contact us

Tel: +86-755-8981 8866 Fax: +86-755-8427 6832

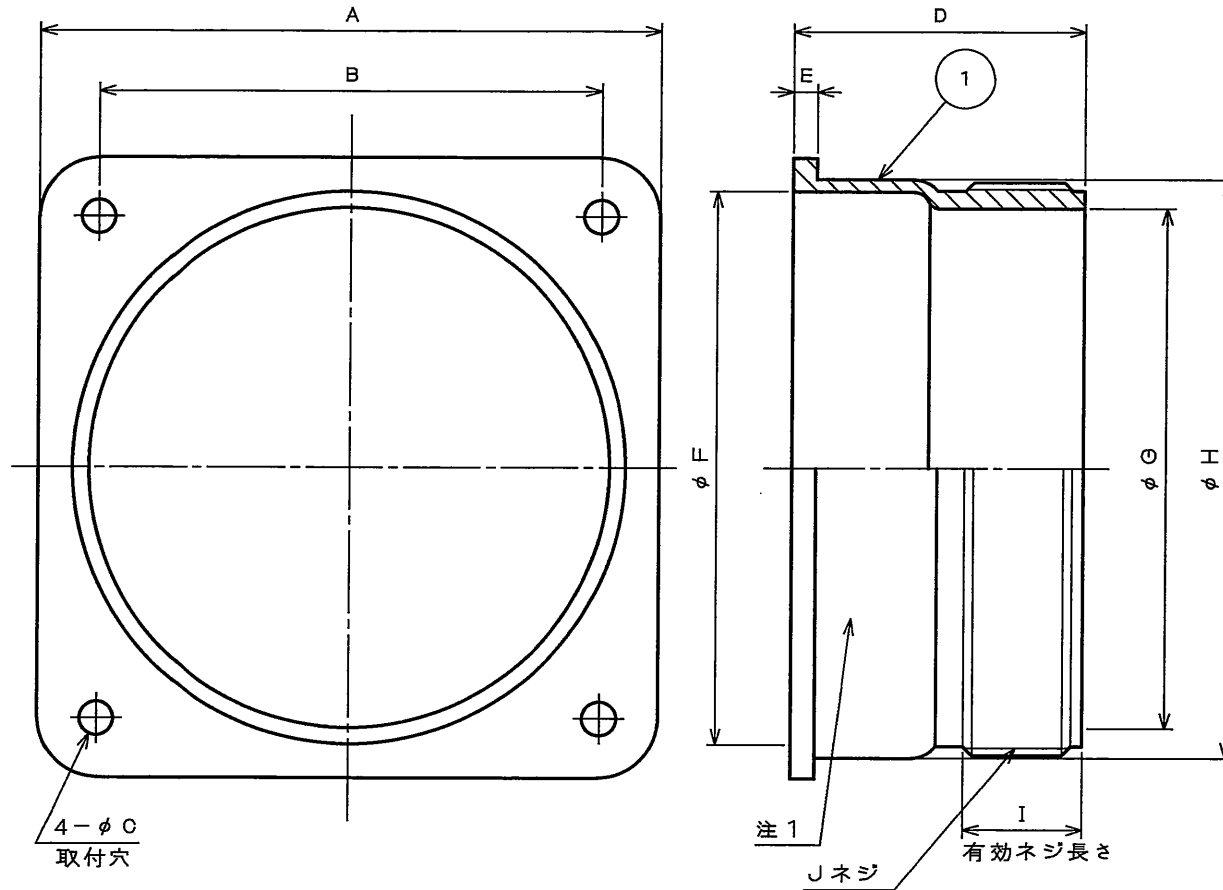
Email & Skype: info@chipsmall.com Web: www.chipsmall.com

Address: A1208, Overseas Decoration Building, #122 Zhenhua RD., Futian, Shenzhen, China



985501RS
(ON 0NIMVHD)台要図

版数 REV.	年月日 DATE	DCN NO.	変更内容 DESCRIPTION	製図 DR.	担当 CHK.	査閲 APPD.	承認 APPD.



CANNON PART NO.	適合 シェル サイズ	±0.8 A	±0.2 B	±0.3 C	以下 D	E	F	G	H	以上 I	Jネジ
CA2120-2A-R	10SL	25.4	18.2	3.1	19	1.6	16.3	11.1	19.0	9.5	5/8-24UNEF-2A
↑ -3 ↑	12S,12	27.8	20.6	↑	21	1.7	16.3	11.1	19.0	↑	5/8-24UNEF-2A
-4	14S,14	30.2	23.0	↑	21	1.6	19.2	14.3	21.8		3/4-20UNEF-2A
-5	16S,16	32.5	24.6		23	1.7	22.4	17.5	25.0		7/8-20UNEF-2A
-9	18	34.9	27.0		29	2.2	25.1	20.2	28.4		1-20UNEF-2A
-10	20	38.1	29.4	↓	33	↑	29.8	23.0	32.5		1 3/16-18UNEF-2A
-11	22	41.3	31.8	3.1	32		32.3	23.2	35.7		1 3/16-18UNEF-2A
-12	24	44.4	34.9	3.8	35	↓	35.5	29.5	38.9	↓	1 7/16-18UNEF-2A
-13	28	50.8	39.7	3.8	34	2.2	42.1	29.8	45.1	9.5	1 7/16-18UNEF-2A
-14	32	57.2	44.4	4.5	35	3.2	48.1	37.5	51.5	11.1	1 3/4-18UNS-2A
↓ -15 ↓	36	63.5	49.2	4.5	35	3.2	54.5	43.8	57.8	12.7	2-18UNS-2A
CA2120-18-R	48	82.4	66.7	4.5	39	3.2	73.5	69.1	76.9	15.9	3-16UN-2A

注1. 図示の位置に“社名”及び“品名”を表示する。
但し、品名末尾の“-R”は表示しない。

DOF-0-212F(05.08)

1	直状型ジャンクシヨシエル	1	アルミ合金	亜鉛めっき	黒色系干渉色
符号 NO.	名称 DESCRIPTION	個数 QTY.	材 料 MATERIAL	仕 上 FINISH	備 考 REMARKS
仕様書(SPECIFICATION)		第1版(ORIGINAL DATE) 2005.12.16		尺 度(SCALE) 1:1	シ リーズ(SERIES) CA
公差(GENERAL TOLERANCE)		製 図 DR.		名称(TITLE) CA2120-✳-R (直状型ジャンクシヨシエル)	
寸法(DIMENSION) 角度(ANGLES)		担 当 CHK. 新田(正)			
. ±0.8 X° ±		査 閲 APPD. 松本			
.X ±0.4 X°X ±		承 認 APPD. 〆、野川			
.XX ±0.1		質量(MASS)		日本航空電子工業株式会社 JAPAN AVIATION ELECTRONICS INDUSTRY, LTD.	
.XXX ±		製 図 DR.		図面番号(DRAWING NO.)	
		担 当 CHK.		SJ105586	
		査 閲 APPD.		版数 (REV.)	
		承 認 APPD.		1	