



Chipsmall Limited consists of a professional team with an average of over 10 year of expertise in the distribution of electronic components. Based in Hongkong, we have already established firm and mutual-benefit business relationships with customers from,Europe,America and south Asia,supplying obsolete and hard-to-find components to meet their specific needs.

With the principle of “Quality Parts,Customers Priority,Honest Operation,and Considerate Service”,our business mainly focus on the distribution of electronic components. Line cards we deal with include Microchip,ALPS,ROHM,Xilinx,Pulse,ON,Everlight and Freescale. Main products comprise IC,Modules,Potentiometer,IC Socket,Relay,Connector.Our parts cover such applications as commercial,industrial, and automotives areas.

We are looking forward to setting up business relationship with you and hope to provide you with the best service and solution. Let us make a better world for our industry!



Contact us

Tel: +86-755-8981 8866 Fax: +86-755-8427 6832

Email & Skype: info@chipsmall.com Web: www.chipsmall.com

Address: A1208, Overseas Decoration Building, #122 Zhenhua RD., Futian, Shenzhen, China

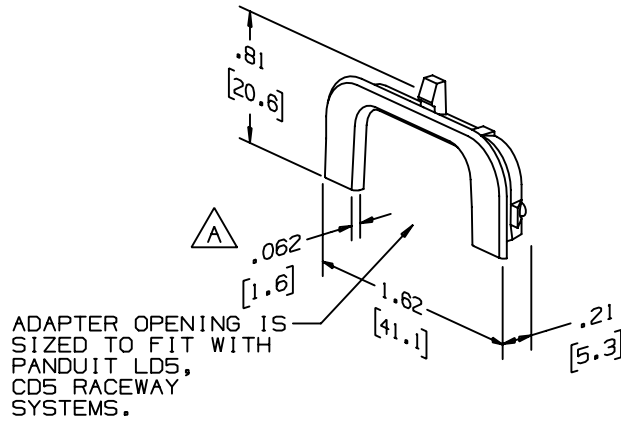


THIS COPY IS PROVIDED ON A RESTRICTED BASIS AND IS NOT TO BE USED IN ANY WAY DETRIMENTAL TO THE INTERESTS OF PANDUIT CORP.

PANDUIT PART NO.	WEIGHT
CA5	.23 LB/100 PCS (103 g/100 PCS)



- △** NOTES:
1. SEE CURRENT CATALOG FOR ADDITIONAL PART NUMBER SUFFIXES TO INDICATE COLOR AND/OR PACKAGE QUANTITY.
 2. DIMENSIONS IN PARENTHESIS ARE IN METRIC.



CAD FILENAME/LAYERS		DPC-CA5_C4.PRT	
PANDUIT		CORP. TINLEY PARK, ILLINOIS	
COVER ADAPTER (CA5)		FOR LD5	
CUSTOMER DRAWING		UNLESS OTHERWISE SPECIFIED, DIMENSIONAL TOLERANCES ARE: (.X) ± (.XXX) ±.010 [.3] (.XX) ±.03 [.8] ANGLES ±	
SCALE		FULL	
DRAWING NO.		34089-21	
DWG SIZE		A	
DRAWN BY		DW	
DATE		03-06-89	
CHK'D		CEP	
MAT'L:		PVC	
△			

REV	DATE	BY	CHK	DESCRIPTION	ECN	R	CUST	SUP
4	03-01-04	JHEP	RGRO	E. REMOVED CD5 FROM TITLE BLOCK	34089-21	RGRO	RGRO	
3	11-30-98	PM	HIW	D. REVISE MATERIAL; WAS ABS	34089-21	HIW		
2	11-15-91	DW	CEF	C. OMIT NOTE TO BE USED WITH FROM DWG.	34089-21	2		
---	---	---	---	B. REVISED NOTE NO.1 AND OMIT NOTE NO. 2 REMOVED COLOR FROM DWG.	---	---		
1	12-18-89	DW	WJB	A. ADDED THICKNESS DIMENSION	34089-21	1		
R	09-04-89	DW	WJB	RELEASED TO PRODUCTION	34089-21	R		