



Chipsmall Limited consists of a professional team with an average of over 10 year of expertise in the distribution of electronic components. Based in Hongkong, we have already established firm and mutual-benefit business relationships with customers from,Europe,America and south Asia,supplying obsolete and hard-to-find components to meet their specific needs.

With the principle of "Quality Parts,Customers Priority,Honest Operation,and Considerate Service",our business mainly focus on the distribution of electronic components. Line cards we deal with include Microchip,ALPS,ROHM,Xilinx,Pulse,ON,Everlight and Freescale. Main products comprise IC,Modules,Potentiometer,IC Socket,Relay,Connector.Our parts cover such applications as commercial,industrial, and automotives areas.

We are looking forward to setting up business relationship with you and hope to provide you with the best service and solution. Let us make a better world for our industry!



## Contact us

Tel: +86-755-8981 8866 Fax: +86-755-8427 6832

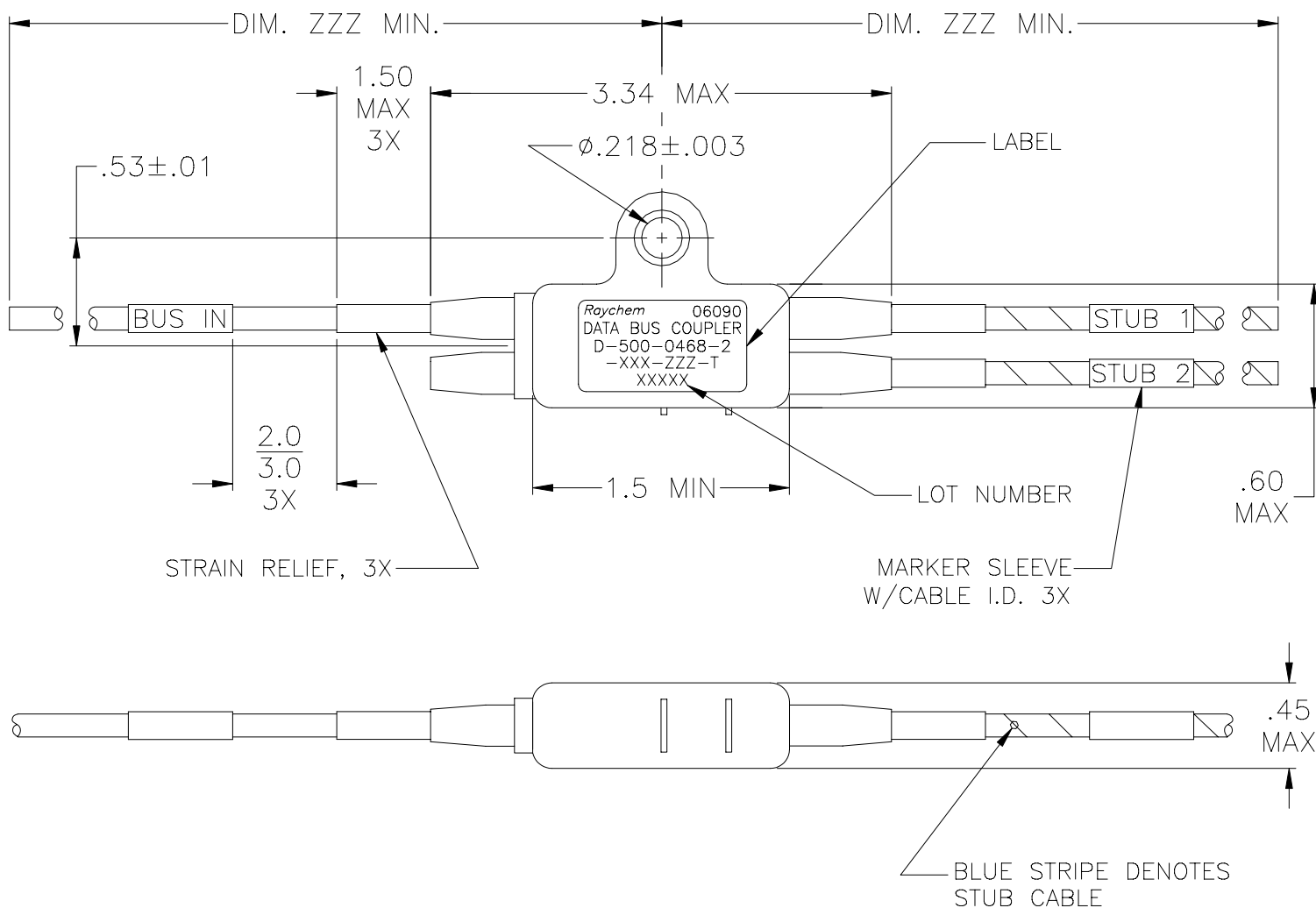
Email & Skype: info@chipsmall.com Web: www.chipsmall.com

Address: A1208, Overseas Decoration Building, #122 Zhenhua RD., Futian, Shenzhen, China



If this document is printed it becomes uncontrolled.  
Check for the latest revision.

REVISION		DATE
REV	DESCRIPTION	DATE
A	REVISED PER DCR NO. T-31578	6/11/03



PART NO. D-500-0468-2-XXX-ZZZ-T

2=DOUBLE STUB      TUBING, STRAIN RELIEF  
 LENGTH OF CABLE IN INCHES  
 CABLE  
 612=10612 (SINGLE OPTIMIZED BRAID)  
 613=10613 (DOUBLE OPTIMIZED BRAID)  
 614=10614 (EMP HARDENED)

SPECIFICATION CONTROL DRAWING

UNLESS OTHERWISE SPECIFIED  
DIMENSIONS ARE INCHES. METRIC  
DIMENSIONS ARE IN BRACKETS.

DRAWN T RATZLAFF DATE 01JAN16

**tyco** Tyco Electronics  
**Electronics** 300 CONSTITUTION DRIVE  
MENLO PARK, CALIFORNIA 94025 USA *Raychem*

DECIMAL TOLERANCES  
 .XXX ± --- [ --- mm]  
 .XX ± --- [ --- mm]  
 .X ± --- [ --- mm]

MATERIAL  
 FINISH

TITLE DATABUS COUPLER, DOUBLE STUB  
 IN-LINE W/CABLE STRAIN RELIEF  
 REVERSE W/INTERNAL TERMINATOR,  
 & MOUNTING LUG

ANGLE TOLERANCE  
 .X ± ---  
 WEIGHT FINISH  
 SEE NOTES

THIRD ANGLE PROJECTION

SIZE A CODE IDENT. NO. 06090 DWG. NO. D-500-0468-2-XXX-ZZZ-T

1. MATERIAL AND FINISHES:

## 1.1 INTERNAL COMPONENTS:

1.1.1 -TRANSFORMER TO MIL-PRF-21038 AND MIL-STD-1553B

1.1.2 -RESISTORS, ISOLATION PER MIL-PRF-39007/9, 57.6 OHMS (R1)

1.1.3 -RESISTORS, TERMINATION PER MIL-PRF-39007/9, 76.8 OHMS (R2)

1.2 SHIELDED CASE: ALUMINUM PER ASTM-B618

1.3 SEALED STRAIN RELIEF COVER: MODIFIED CROSS-LINKED ELASTOMER, BLACK, TO RAYCHEM SPECIFICATION RK-6713.

1.4 CABLE TYPE PER RAYCHEM SPECIFICATION 1200 (SEE PART NO. ON SHEET 1).

1.5 STRAIN RELIEF TUBING: RAYCHEM TAT-125

2. APPLICATION:

2.1 THIS COUPLER IS DESIGNED TO BE INSTALLED AS A DIGITAL MULTIPLEX ASSEMBLY MEETING THE REQUIREMENTS OF MIL-STD-1553B.

2.2 FOR CABLE SPLICING USE FLEXIBLE SPLICE KIT D-150-0708-5 (NOT SUPPLIED).

2.3 CABLE BEND RADIUS PER SAE-AS50881 STATIC BEND: 5 x CABLE O.D. MIN.

DYNAMIC BEND: 10 x CABLE O.D. MIN.

3. TEMPERATURE:

3.1 OPERATING TEMPERATURE: -65°C TO +150°C

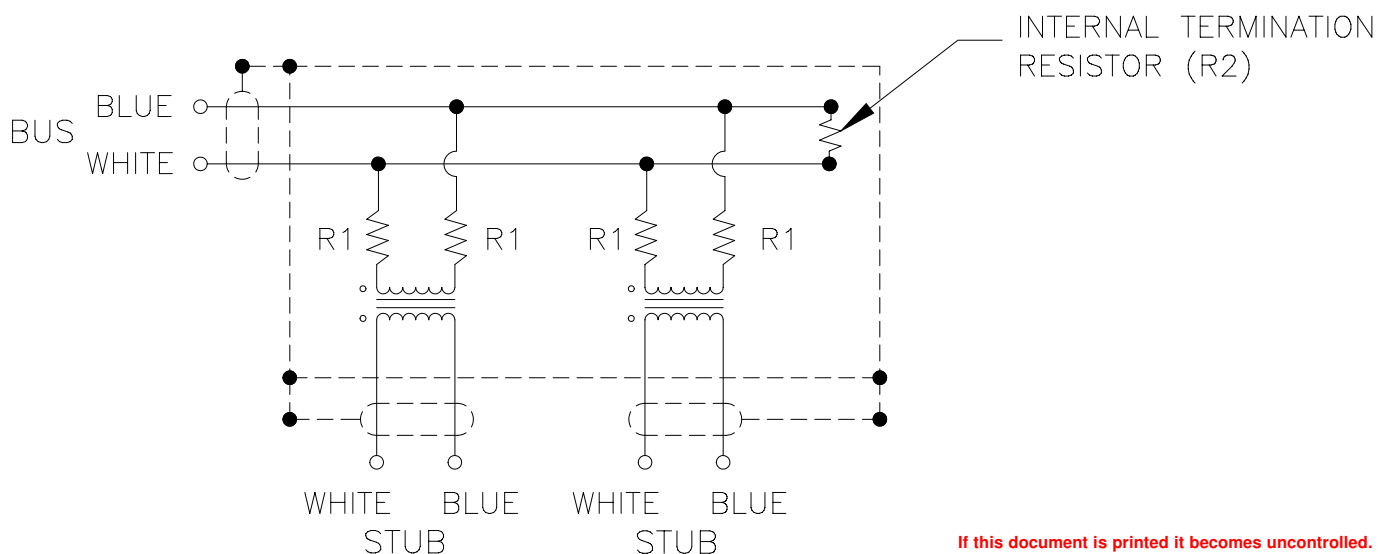
4. PERFORMANCE SPECIFICATIONS:

4.1 TRANSFORMER MEETS THE PERFORMANCE REQUIREMENTS OF MIL-STD-1553B.

4.2 COUPLER MEETS THE PERFORMANCE REQUIREMENTS OF RAYCHEM SPECIFICATION D-6020.

5. WEIGHT:

5.1 MAXIMUM WEIGHT WITHOUT CABLE: 23 GRAMS MAX.

DOUBLE STUB COUPLER SCHEMATIC

If this document is printed it becomes uncontrolled.  
Check for the latest revision.

## SPECIFICATION CONTROL DRAWING

DRAWN T RATZLAFF	DATE 01JAN16	SIZE A	CODE IDENT. NO. 06090	DWG. NO. D-500-0468-2-XXX-ZZZ-T	REV A
CAD FILE T31578B	<b>tyco</b> <b>Electronics</b>	DO NOT SCALE THIS DRAWING			SHEET 2 OF 2