



Chipsmall Limited consists of a professional team with an average of over 10 year of expertise in the distribution of electronic components. Based in Hongkong, we have already established firm and mutual-benefit business relationships with customers from,Europe,America and south Asia,supplying obsolete and hard-to-find components to meet their specific needs.

With the principle of “Quality Parts,Customers Priority,Honest Operation,and Considerate Service”,our business mainly focus on the distribution of electronic components. Line cards we deal with include Microchip,ALPS,ROHM,Xilinx,Pulse,ON,Everlight and Freescale. Main products comprise IC,Modules,Potentiometer,IC Socket,Relay,Connector.Our parts cover such applications as commercial,industrial, and automotives areas.

We are looking forward to setting up business relationship with you and hope to provide you with the best service and solution. Let us make a better world for our industry!



## Contact us

Tel: +86-755-8981 8866 Fax: +86-755-8427 6832

Email & Skype: info@chipsmall.com Web: www.chipsmall.com

Address: A1208, Overseas Decoration Building, #122 Zhenhua RD., Futian, Shenzhen, China



## SPECIFICATION

Part No. : **CAB.058**

Product Name : Taoglas Semi-Rigid Cable Assembly  
SMA(F) Jack Straight to  
Strip/Tin 3/3mm  
with 50mm 0.047" semi-rigid cable  
Customizable

Photo :



## 1. Introduction

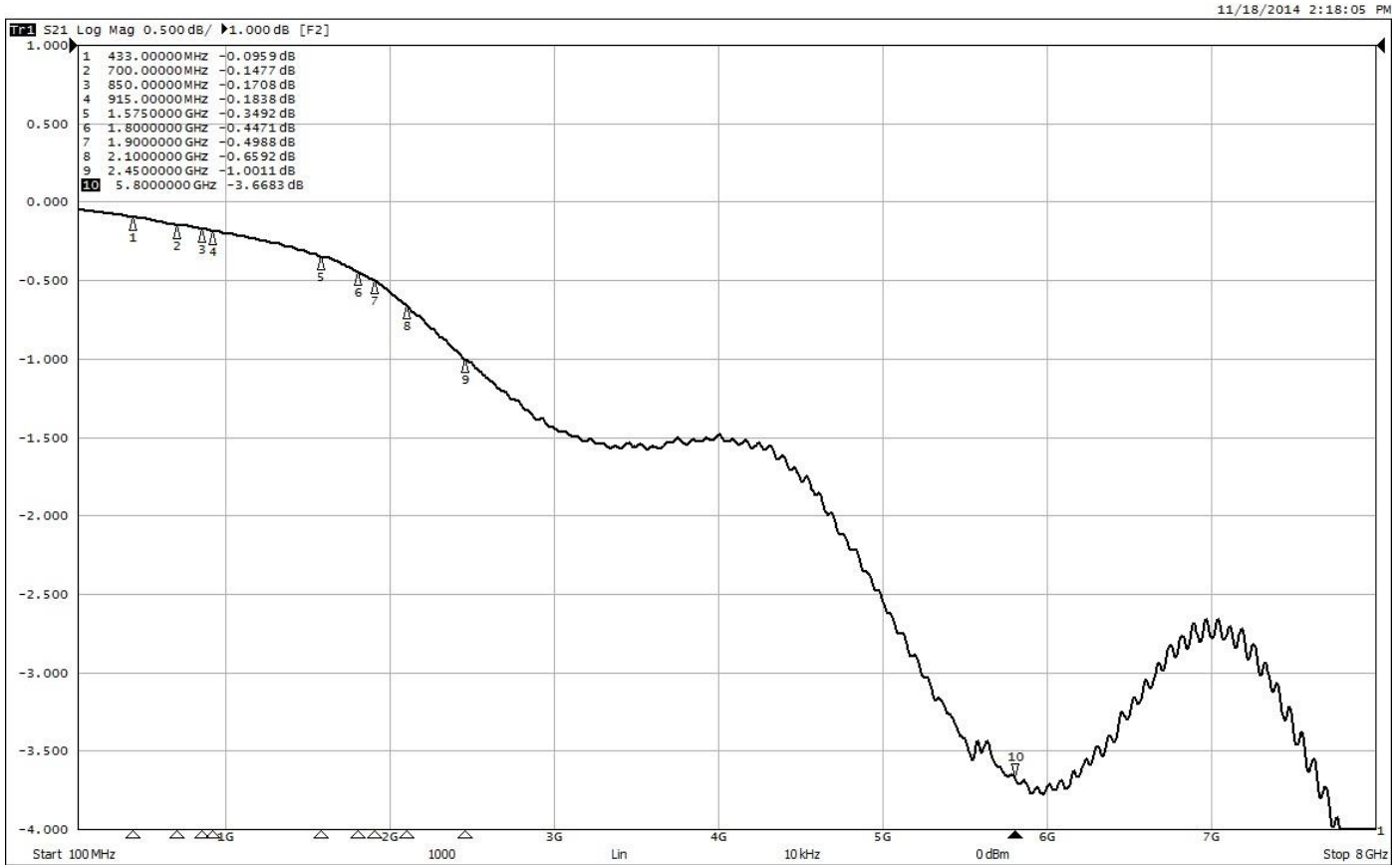
The Taoglas CAB.058 is a 0.047" semi-rigid coax pigtail with SMA connector that is ideal for RF circuit debug and design verification. The pigtail is 50mm long and comes stripped and tinned to expose a short length of the inner conductor, thus removing the need to make your own. The CAB.058 acts as a 50 ohm transmission line to connect your test equipment to your printed circuit board and has a SMA female connector making it the proper mate for most coax cables used in design labs, eliminating the need for additional adapters. Semi-rigid coax also has the best attenuation of all micro-coax types.

In order to make a proper connection to the PCB without causing an impedance mismatch, the cable jacket needs to be soldered to the PCB ground and the inner conductor gets soldered to the RF transmission line. The CAB.058 has a smooth, semi-rigid, metallic jacket that makes it very easy to solder the jacket to the PCB ground.

The thinner 0.047" cable diameter makes it easier to solder onto densely populated circuit boards. The semi-rigid nature of the cable also allows you to easily bend the pigtail to your convenience, yet holds its position to prevent toppling over and shorting nearby components.

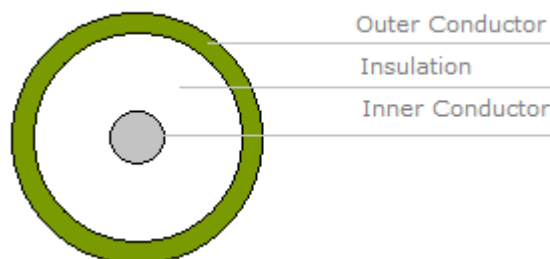
Taoglas provides customized length and connector variants subject to MOQ. Contact your regional Taoglas office for details.

## 2. Cable Insertion Loss

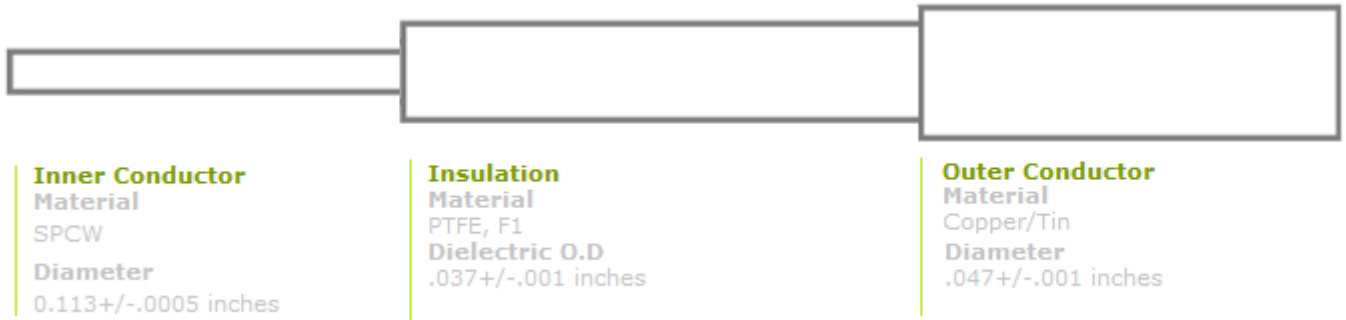


## 2. 0.047" Cable Specification

### 2.1 Drawing – Cross Section



## 2.2 Structure and Dimensions

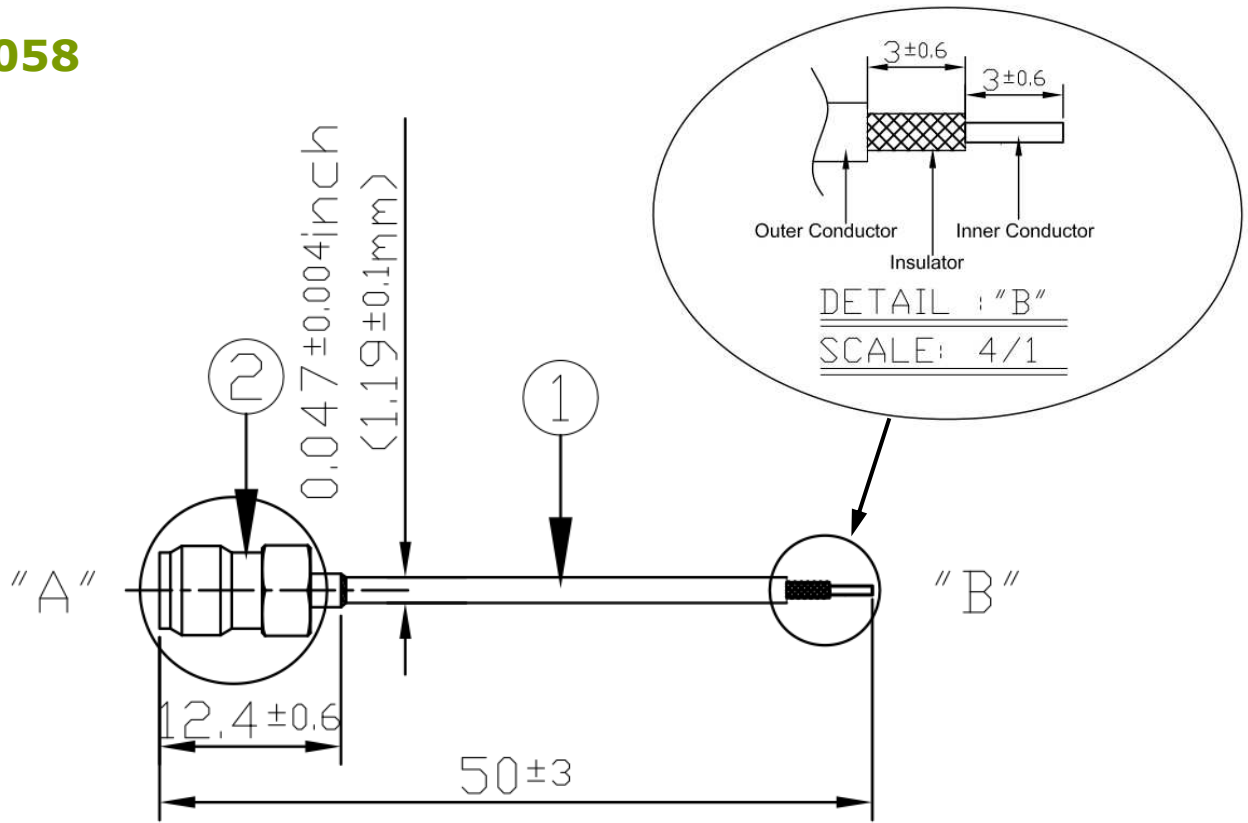


## 2.3 Electrical & Physical Specification

1	Operating Temperature:	-50°C to +100°C	
2	Max Weight	4.8 (lbs/1000ft)	
3	Safe Bend Radius(proper tooling)	.050 inches	
4	Corona Extinction	Min. 1.0 KVRMS 60 Hz	
5	Max Operating Frequency	40GHz	
6	Dielectric Strength	2.0 KVRMS 60 Hz	
7	Impedance:	50 ± 1 Ω	
8	Standard Attenuation:	1GHz	40.0 dB/100ft 32W Avg. Power
		10GHz	130 dB/100ft 9W Avg. Power
		20GHz	190 dB/100ft 6.5W Avg. Power

### 3. Technical Drawing

#### 3.1 CAB.058



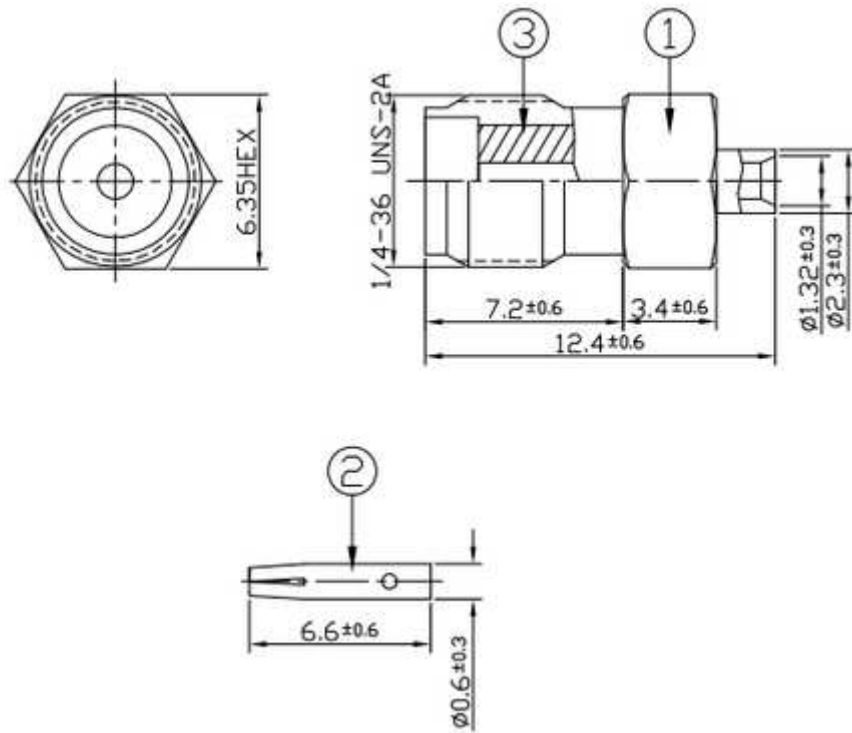
	Name	Material	Finish	QTY
1	0.047" Semi Rigid Cable	Copper	N/A	1
2	SMA(F) ST	Brass	Gold	1

Unit: mm



### 3.2 Connector

DETAIL : "A"



	Name	Material	Finish	QTY
1	Body	Brass	Gold	1
2	Pin	Brass	Gold	1
3	Insulation	Teflon	N/A	1

Unit: mm