



Chipsmall Limited consists of a professional team with an average of over 10 year of expertise in the distribution of electronic components. Based in Hongkong, we have already established firm and mutual-benefit business relationships with customers from,Europe,America and south Asia,supplying obsolete and hard-to-find components to meet their specific needs.

With the principle of “Quality Parts,Customers Priority,Honest Operation,and Considerate Service”,our business mainly focus on the distribution of electronic components. Line cards we deal with include Microchip,ALPS,ROHM,Xilinx,Pulse,ON,Everlight and Freescale. Main products comprise IC,Modules,Potentiometer,IC Socket,Relay,Connector.Our parts cover such applications as commercial,industrial, and automotives areas.

We are looking forward to setting up business relationship with you and hope to provide you with the best service and solution. Let us make a better world for our industry!



Contact us

Tel: +86-755-8981 8866 Fax: +86-755-8427 6832

Email & Skype: info@chipsmall.com Web: www.chipsmall.com

Address: A1208, Overseas Decoration Building, #122 Zhenhua RD., Futian, Shenzhen, China



6

5

4

3

2

1

APPROVED: _____

DATE: _____ TITLE: _____

Rev	AWO #	Description	Date	Appr
-		REFERENCE	09/08/16	

THIS IS A CUSTOM CABLE PRODUCT THAT IS NON-CANCELABLE / NON-RETURNABLE

D

D

C

C

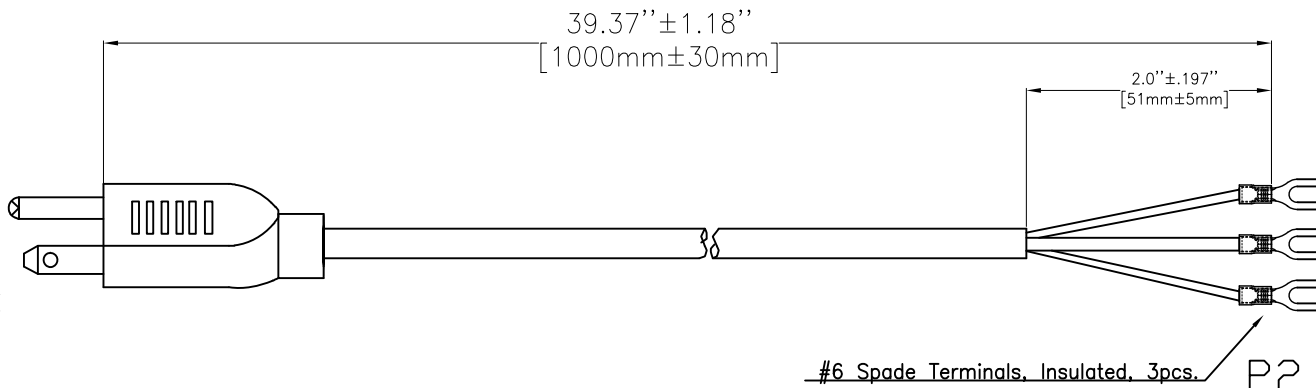
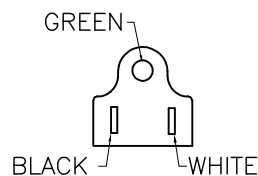
B

B

A

A

P1



SPECIFICATIONS:

Connector:

P1: NEMA 5-15P PLUG.

P2: #6 Spade Terminals, Red Insulated.

Cable:

18AWG*3C, SJT, 105°C., UL, Wire colors BLK, WHT and GRN, JACKET COLOUR: BLACK.

Electrical Test:

All Assemblies must be 100% Tested for Shorts, Open, Continuity, and Physical Appearance.

Environmental:

Lead free, RoHS compliant



UNLESS OTHERWISE SPECIFIED
 ALL DIMENSIONS ARE INCHES [MM]
 TOLERANCES: EXCEPT AS NOTED
 INCHES HOLES

.X ± .10	∅.X ± .10
.XX ± .020	∅.XX ± .015
.XXX ± .015	∅.XXX ± .010

APPROVALS		DATE
DRAWN	RL	09/08/16
CHECKED	CH	09/08/16
APPROVED		

ADAM TECH

909 Rahway Avenue, Union, NJ 07083
 Phone: 908-687-5000 Fax: 908-687-5710

TITLE
 EUROPEAN POWER CORD
 COLOR BLACK, SJT 18AWG*3C CABLE

SIZE	PART NO.	REV.
X	PC-0115033QC03-AN12409	-
REF:	SCALE: NTS	SHEET 1 OF 1

6

5

4

3

2

1