



Chipsmall Limited consists of a professional team with an average of over 10 year of expertise in the distribution of electronic components. Based in Hongkong, we have already established firm and mutual-benefit business relationships with customers from,Europe,America and south Asia,supplying obsolete and hard-to-find components to meet their specific needs.

With the principle of “Quality Parts,Customers Priority,Honest Operation,and Considerate Service”,our business mainly focus on the distribution of electronic components. Line cards we deal with include Microchip,ALPS,ROHM,Xilinx,Pulse,ON,Everlight and Freescale. Main products comprise IC,Modules,Potentiometer,IC Socket,Relay,Connector.Our parts cover such applications as commercial,industrial, and automotives areas.

We are looking forward to setting up business relationship with you and hope to provide you with the best service and solution. Let us make a better world for our industry!



Contact us

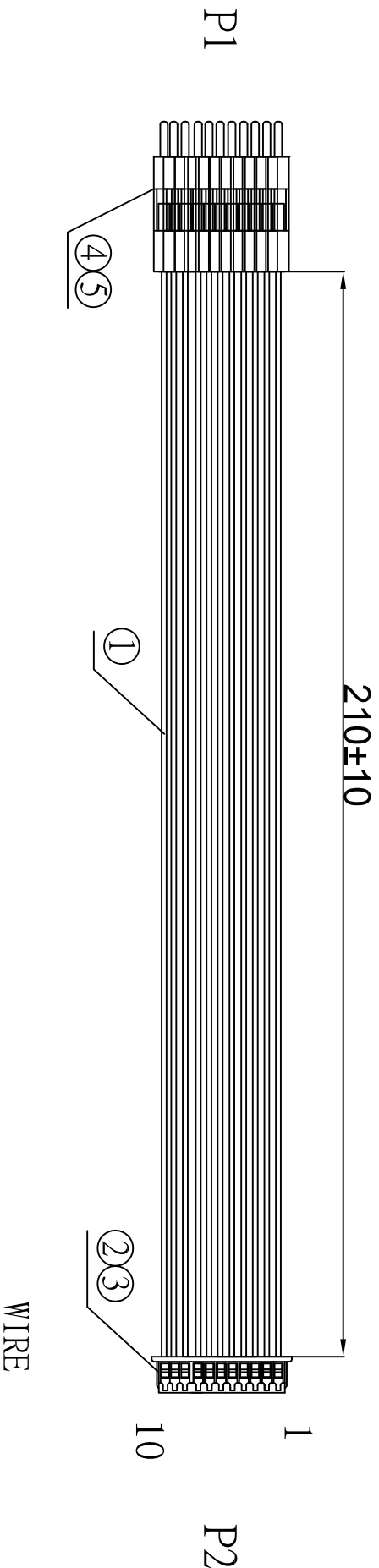
Tel: +86-755-8981 8866 Fax: +86-755-8427 6832

Email & Skype: info@chipsmall.com Web: www.chipsmall.com

Address: A1208, Overseas Decoration Building, #122 Zhenhua RD., Futian, Shenzhen, China



REV	ECRN	DATE
1	NEW PRODUCTION	20180426



P1	P2
DUPONT TERMINAL	Yellow
DUPONT TERMINAL	Brown
DUPONT TERMINAL	Purple
DUPONT TERMINAL	Blue
DUPONT TERMINAL	Green
DUPONT TERMINAL	Orange
DUPONT TERMINAL	Gray
DUPONT TERMINAL	Red
DUPONT TERMINAL	WHITE
DUPONT TERMINAL	Black

- NOTES:
1. ELECTRICAL TEST: 100% OPEN, SHORTCIRCUIT WIRE TEST.
 2. CONTACT RESISTANCE: 5 ohm,
 3. INSULATOR RESISTANCE: 5M ohm.
 4. HIGH VOLTAGE: DC 300V 0.01sec.
 5. MUST BE ROHS COMPLIANT.

NO.	PART NO	ITEM	DESCRIPTION	QTY UNIT	PCS
⑤		HOUSING	DUPONT 2.54-H01 BLACK	10	PCS
④		TERMINAL	DUPONT 2.54 M GOLD PLATED TERMINAL	10	PCS
③	D.500588-1100R	TERMINAL	MOLEX 50058-8000 PH1.25MM MALE TERMINAL	10	PCS
②	E.051021-1000R	HOUSING	MOLEX-51021-1000 PH1.25MM 1*10PIN HOUSING: WHITE	1	PCS
①		CABLE	UL1571 28AWG (7/0.12TC) jacket Yellow, Brown, Purple, Blue, Green, Orange, Gray, Red, WHITE, Black L=220MM	10	PCS

ROHS COMPLIANT

DRAWN BY 袁小政 20180426

CHECKED BY

APPROVED BY

东莞市朋联电子科技有限公司

DongGuan Peng Lian Electronic Technology Co., Ltd
 TEL: 076938835093/38835094 FAX: 076938835091

比例: FREE 单位: mm

TITLE: DUPONT 2.54-H01 TO MOLEX 1.25MM 10P

SUPPLIER'S ITEM: 9.000WH00092.000R

CUSTOMER: SPARK FUN

CUSTOMER'S ITEM: DRAWING NO. WH-00092-00 DATE 2018-04-26