



Chipsmall Limited consists of a professional team with an average of over 10 year of expertise in the distribution of electronic components. Based in Hongkong, we have already established firm and mutual-benefit business relationships with customers from,Europe,America and south Asia,supplying obsolete and hard-to-find components to meet their specific needs.

With the principle of “Quality Parts,Customers Priority,Honest Operation,and Considerate Service”,our business mainly focus on the distribution of electronic components. Line cards we deal with include Microchip,ALPS,ROHM,Xilinx,Pulse,ON,Everlight and Freescale. Main products comprise IC,Modules,Potentiometer,IC Socket,Relay,Connector.Our parts cover such applications as commercial,industrial, and automotives areas.

We are looking forward to setting up business relationship with you and hope to provide you with the best service and solution. Let us make a better world for our industry!



## Contact us

Tel: +86-755-8981 8866 Fax: +86-755-8427 6832

Email & Skype: info@chipsmall.com Web: www.chipsmall.com

Address: A1208, Overseas Decoration Building, #122 Zhenhua RD., Futian, Shenzhen, China





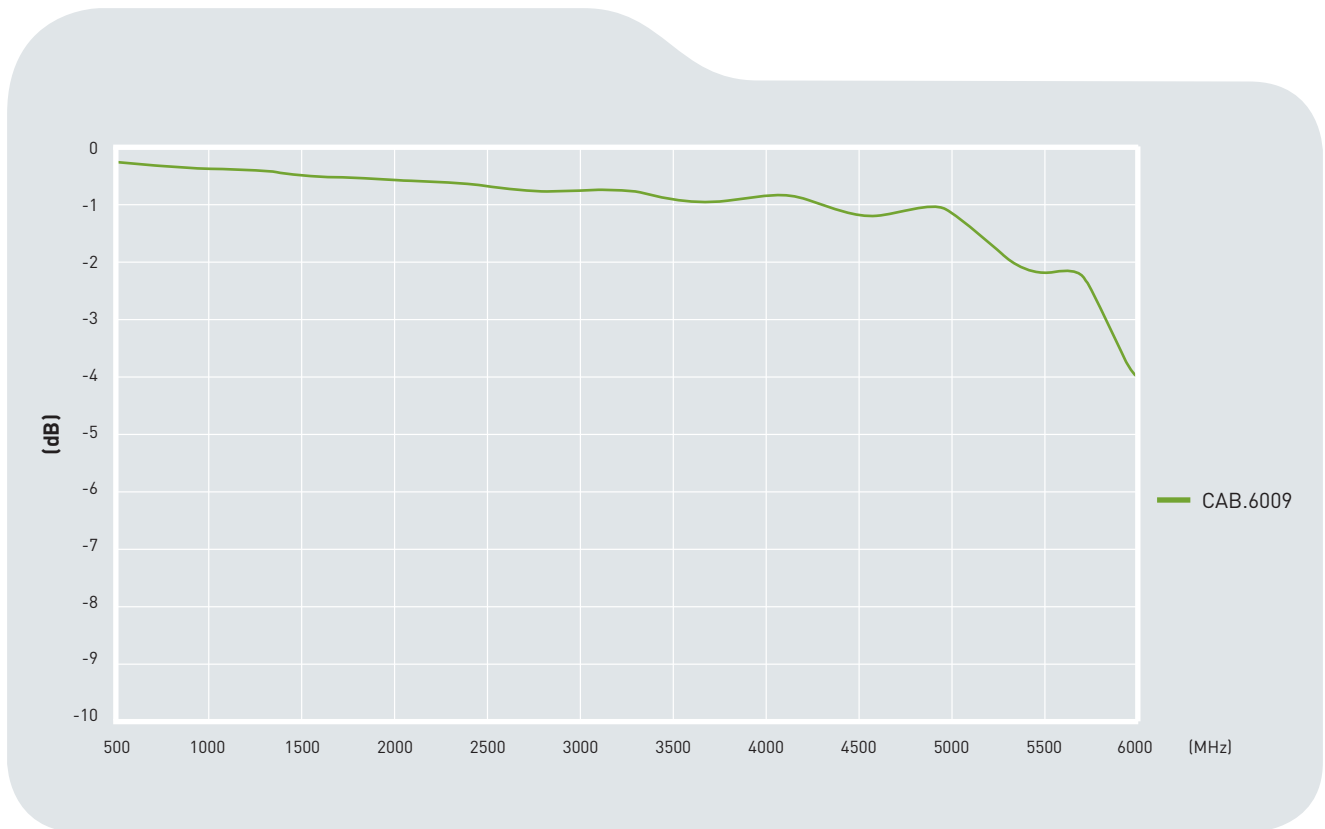
Close-up of CAB.6009

**CAB.6009**

## Specification

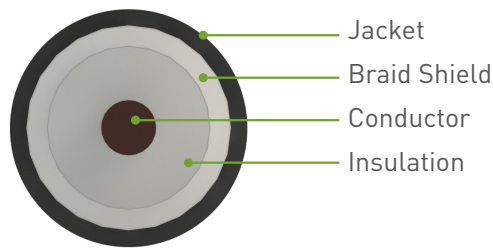
<b>Part No.</b>	<b>CAB.6009</b>
<b>Product Name</b>	<b>CAB.6009</b> Taoglas Cable Assembly TNC(F) Jack with O-Ring to 100mm (3.94") 1.37 to IPEX MHFHT(U.FL comp)

## 1. Cable Insertion Loss



## 2. 1.37 Cable Specification

### 2.1 Drawing - Cross Section



### 2.2 Structure and Dimensions



#### Conductor

- Material - Silver Coated Copper
- 30AWG(7/0.102mm)
- Diameter - 0.31mm

#### Insulation

- Material - FEP
- Avg. Thickness - 0.30mm
- Diameter -  $0.92 \pm 0.03\text{mm}$
- Colour - Clear

#### Braid Shield

- Material - Silver Coated Copper
- Structure - 16/6/0.050mm  $\pm 0.003$
- Coverage - 95%
- Diameter -  $1.15 \pm 0.05\text{mm}$

#### Jacket

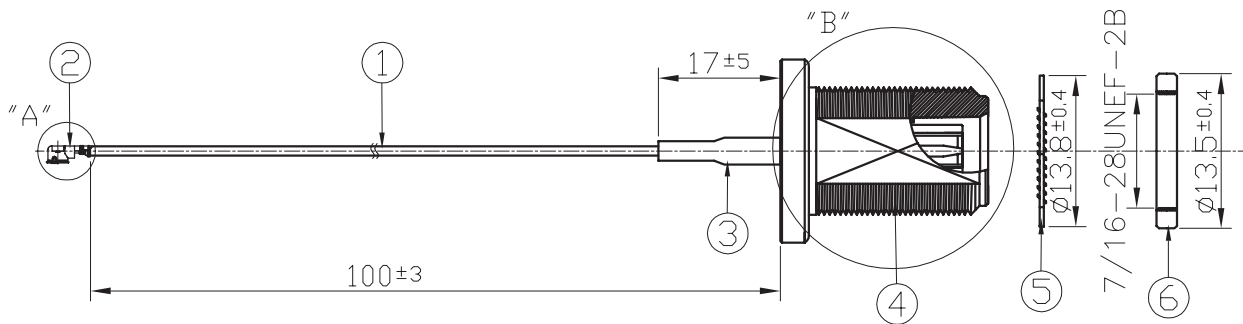
- Material - FEP
- Avg. Thickness - 0.13mm
- Diameter -  $1.37 \pm 0.05\text{mm}$
- Color - Grey GY-08/Black

## 2.3 Electrical & Physical Specification

SPECIFICATION			
<b>Item:</b>		30 AWG	
<b>Rating Temp Voltage:</b>		105°C 30V UL 1979	
<b>Insulation Resistance:</b>		3000 MEGA OHM-KM Min.	
<b>Conductor Resistance:</b>		335 OHM/KM/20°C Max.	
<b>Dielectric Strength:</b>		AC 1.0 KV/minute	
<b>Spark test:</b>		2.5 KV	
<b>Insulation</b>	<b>Unaged</b>	<b>Tensile Strength</b>	2500 PSI Min.(1.76Kg/mm <sup>2</sup> )
	<b>Aged</b>	<b>Elongation</b>	200% min.
<b>Jacket</b>	<b>Unaged</b>	<b>Tensile Strength</b>	Unaged Min 75%(168HRS*232°C)
	<b>Aged</b>	<b>Elongation</b>	Unaged Min 75%(168HRS*232°C)
<b>Insulation</b>	<b>Unaged</b>	<b>Tensile Strength</b>	2500 PSI Min.(1.76Kg/mm <sup>2</sup> )
	<b>Aged</b>	<b>Elongation</b>	200% min.
<b>Jacket</b>	<b>Unaged</b>	<b>Tensile Strength</b>	Unaged Min 75%(168HRS*232°C)
	<b>Aged</b>	<b>Elongation</b>	Unaged Min 75%(168HRS*232°C)
<b>Nom. Impedance</b>		50 ± 3 Ohms	
<b>Nom. Capacitance</b>		96 ± 3 pF/m	
<b>Nom. Vel. Of Prop.</b>		69%	
<b>VSWR (0-6GHz)</b>		Max 1.3	
<b>Flame Test</b>		VW-1 OK	
<b>Thermal Shock</b>		Less 1mm at 232°C/1 HR	
<b>Bend Radius</b>		9mm min.	
<b>Attenuation (dB/1M)</b>		2.0GHz	2.20
		2.4GHz	2.60
		3.0GHz	2.80
		4.0GHz	3.40
		5.0GHz	3.80
		6.0GHz	4.30

### 3. Technical Drawing

#### 3.1 CAB.695



	Name	Material	Finish	QTY
1	1.37 Coaxial Cable	FEP	Black	1
2	IPEX MHFI Connector	Brass	Gold	1
3	Heat Shrink Tube	PE	Black	1
4	TNC(F)ST O-Ring	Brass	Ni Plated	1
5	TNC Washer	Brass	Ni Plated	1
6	TNC NUT	Brass	Ni Plated	1

#### 3.2 Connectors

