



Chipsmall Limited consists of a professional team with an average of over 10 year of expertise in the distribution of electronic components. Based in Hongkong, we have already established firm and mutual-benefit business relationships with customers from,Europe,America and south Asia,supplying obsolete and hard-to-find components to meet their specific needs.

With the principle of “Quality Parts,Customers Priority,Honest Operation,and Considerate Service”,our business mainly focus on the distribution of electronic components. Line cards we deal with include Microchip,ALPS,ROHM,Xilinx,Pulse,ON,Everlight and Freescale. Main products comprise IC,Modules,Potentiometer,IC Socket,Relay,Connector.Our parts cover such applications as commercial,industrial, and automotives areas.

We are looking forward to setting up business relationship with you and hope to provide you with the best service and solution. Let us make a better world for our industry!



Contact us

Tel: +86-755-8981 8866 Fax: +86-755-8427 6832

Email & Skype: info@chipsmall.com Web: www.chipsmall.com

Address: A1208, Overseas Decoration Building, #122 Zhenhua RD., Futian, Shenzhen, China



SPECIFICATION

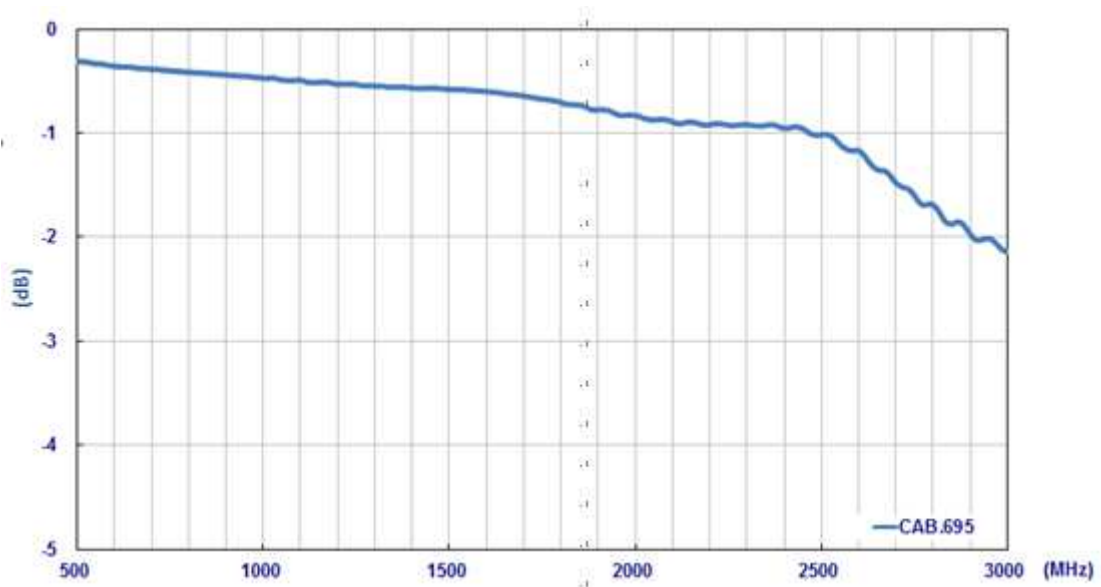
Part No. : **CAB.695**

Product Name : Taoglas Cable Assembly
IPEX MHFI to FME Bulkhead Straight Jack RG-178 100mm
DC-200MHz

Photo :



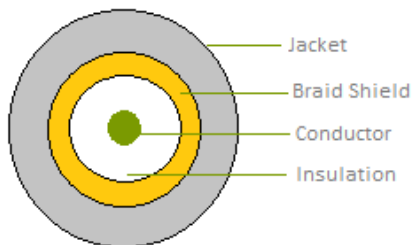
1. Cable Insertion Loss



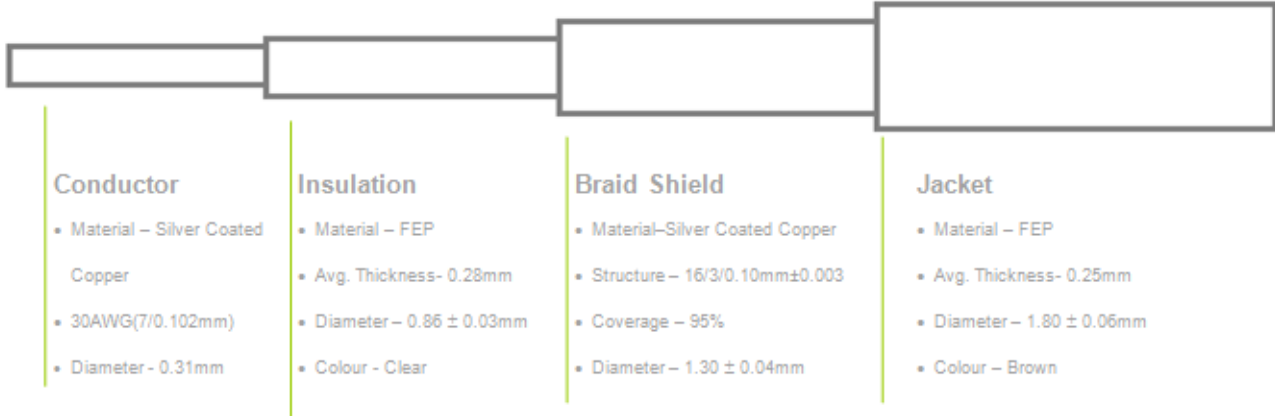
(Note: FME connector operation frequency range:DC-200MHz)

2. RG-178 Cable Specification

2.1 Drawing – Cross Section



2.2 Structure and Dimensions

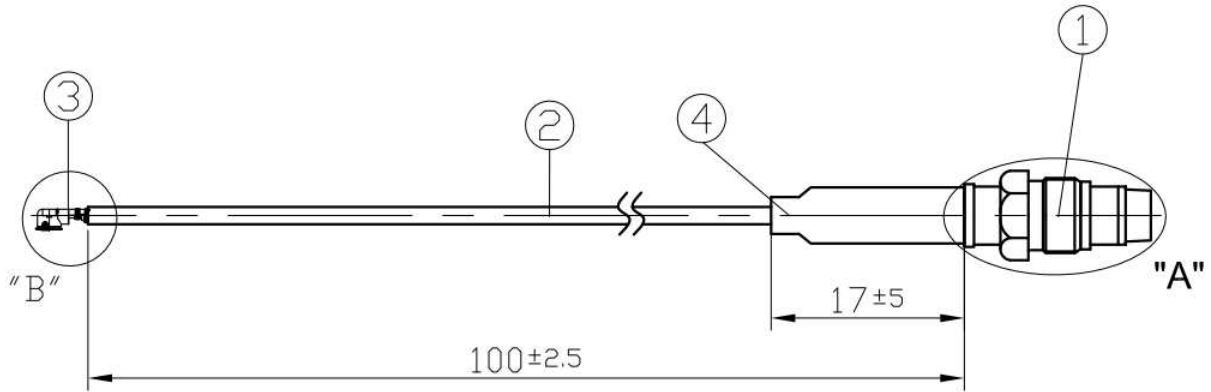


2.3 Electrical & Physical Specification

| | | | | |
|----|------------------------|-----------------------|--------------------------------|--|
| 1 | Item: | 30 AWG | | |
| 2 | Rating Temp Voltage: | 105°C 30V UL 1979 | | |
| 3 | Insulation Resistance: | 3000 MEGA OHM-KM Min. | | |
| 4 | Conductor Resistance: | 838 OHM/KM/20°C Max. | | |
| 5 | Dielectric Strength: | AC 1.0 KV/minute | | |
| 6 | Spark test: | 2.5 KV | | |
| 7 | Insulation | Unaged | Tensile Strength Elongation | 2500 PSI Min.(1.76Kg/mm ²) 200% min. |
| | | Aged | Tensile Strength Elongation | Unaged Min 75%(168HRS*232°C) Unaged Min 75%(168HRS*232°C) |
| | Jacket | Unaged | Tensile Strength Elongation | 2500 PSI Min.(1.76Kg/mm ²) 200% min. |
| | | Aged | Tensile Strength Elongation | Unaged Min 75%(168HRS*232°C) Unaged Min 75%(168HRS*232°C) |
| 9 | Nom. Impedance | 50 ± 3 Ohms | | |
| 10 | Nom. Capacitance | 95.8 ± 3 pF/m | | |
| 11 | Nom. Vel. Of Prop. | 69.5% | | |
| 12 | VSWR (0-6GHz) | Max 1.3 | | |
| 13 | Attenuation (dB/1M) | 1.0GHz | 1.70 | |
| | | 2.0GHz | 2.50 | |
| | | 3.0GHz | 3.20 | |
| | | 4.0GHz | 3.60 | |
| | | 5.0GHz | 3.95 | |
| | | 6.0GHz | 4.80 | |

3. Technical Drawing

3.1 CAB.695



| | Name | Material | Finish | QTY |
|---|------------------|----------|----------|-----|
| 1 | FME(F) | Brass | Ni Plate | 1 |
| 2 | RG178 | FEP | Brown | 1 |
| 3 | IPEX MHFI | Brass | Gold | 1 |
| 4 | Heat Shrink Tube | PE | Black | 1 |

3.2 Connectors

