



Chipsmall Limited consists of a professional team with an average of over 10 year of expertise in the distribution of electronic components. Based in Hongkong, we have already established firm and mutual-benefit business relationships with customers from,Europe,America and south Asia,supplying obsolete and hard-to-find components to meet their specific needs.

With the principle of “Quality Parts,Customers Priority,Honest Operation,and Considerate Service”,our business mainly focus on the distribution of electronic components. Line cards we deal with include Microchip,ALPS,ROHM,Xilinx,Pulse,ON,Everlight and Freescale. Main products comprise IC,Modules,Potentiometer,IC Socket,Relay,Connector.Our parts cover such applications as commercial,industrial, and automotives areas.

We are looking forward to setting up business relationship with you and hope to provide you with the best service and solution. Let us make a better world for our industry!



Contact us

Tel: +86-755-8981 8866 Fax: +86-755-8427 6832

Email & Skype: info@chipsmall.com Web: www.chipsmall.com

Address: A1208, Overseas Decoration Building, #122 Zhenhua RD., Futian, Shenzhen, China



SPECIFICATION

Part No. : **CAB.916**

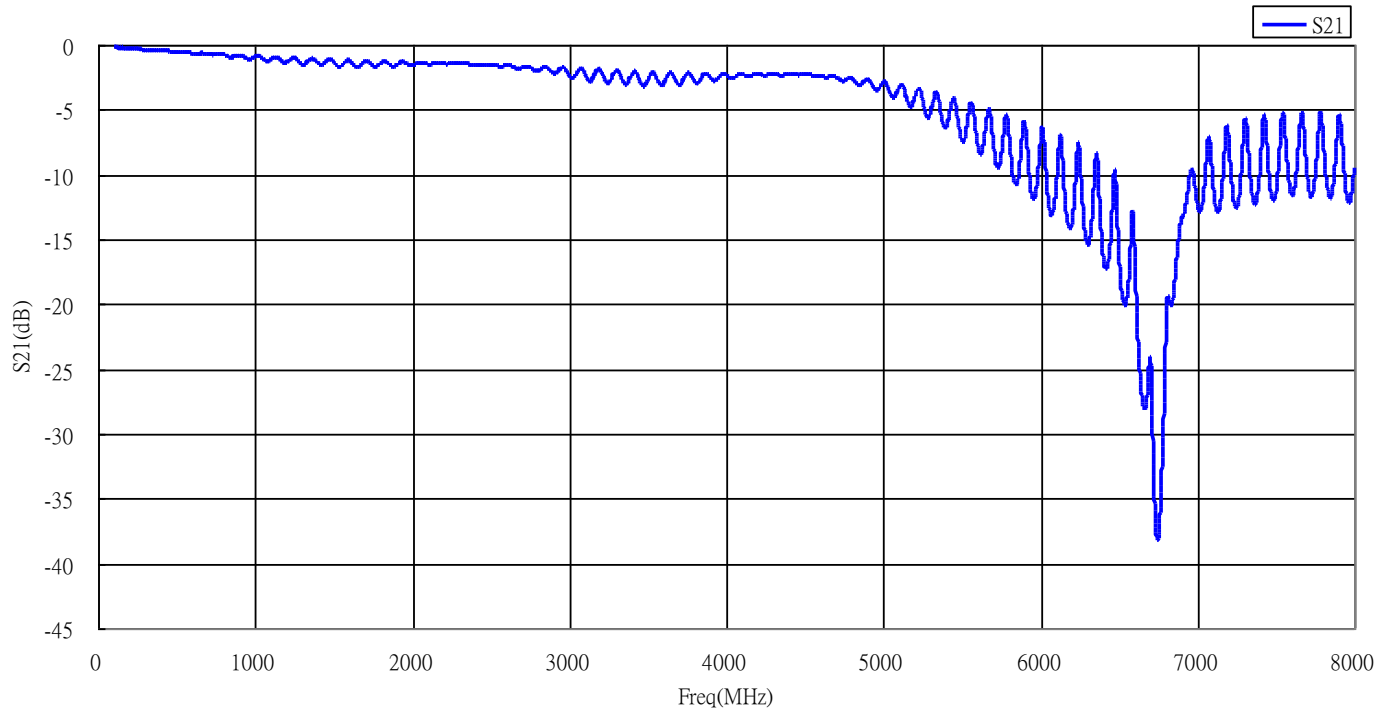
Product Name : Taoglas Cable Assembly
N type Male Straight to
N type Male Straight
with 1M CFD-200 cable

Photo :



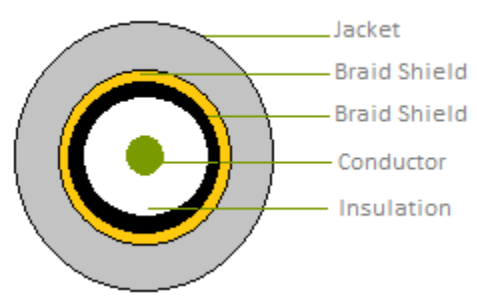
1. Cable Insertion Loss

CAB.916

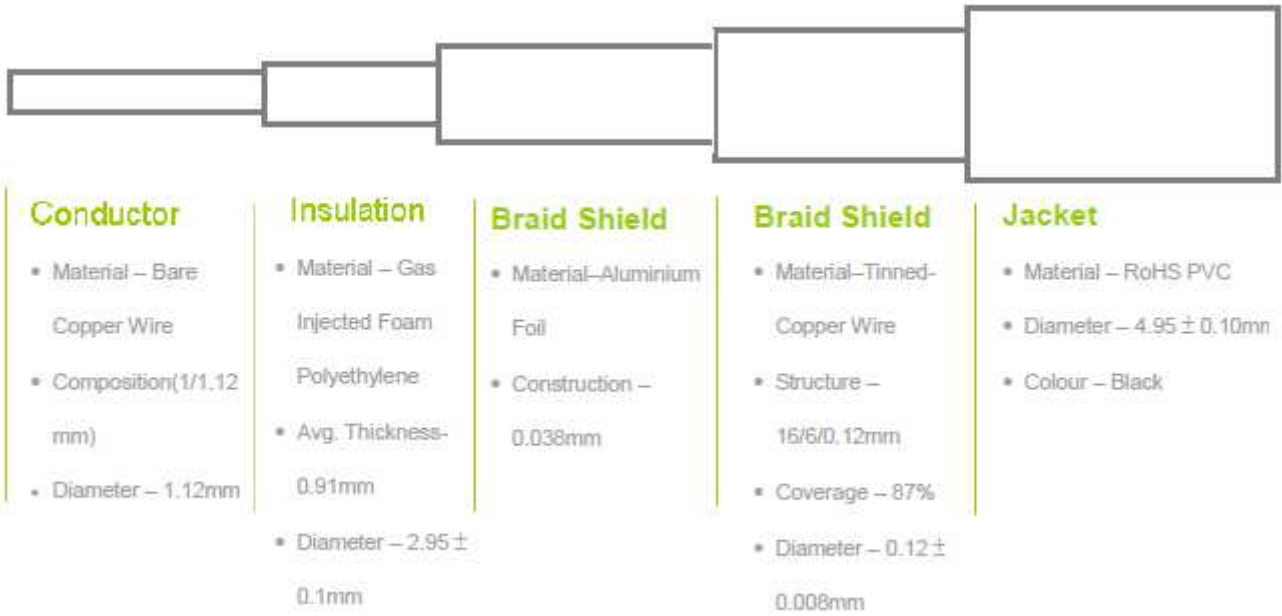


2. CFD-200 Cable Specification

2.1 Drawing – Cross Section



2.2 Structure and Dimensions

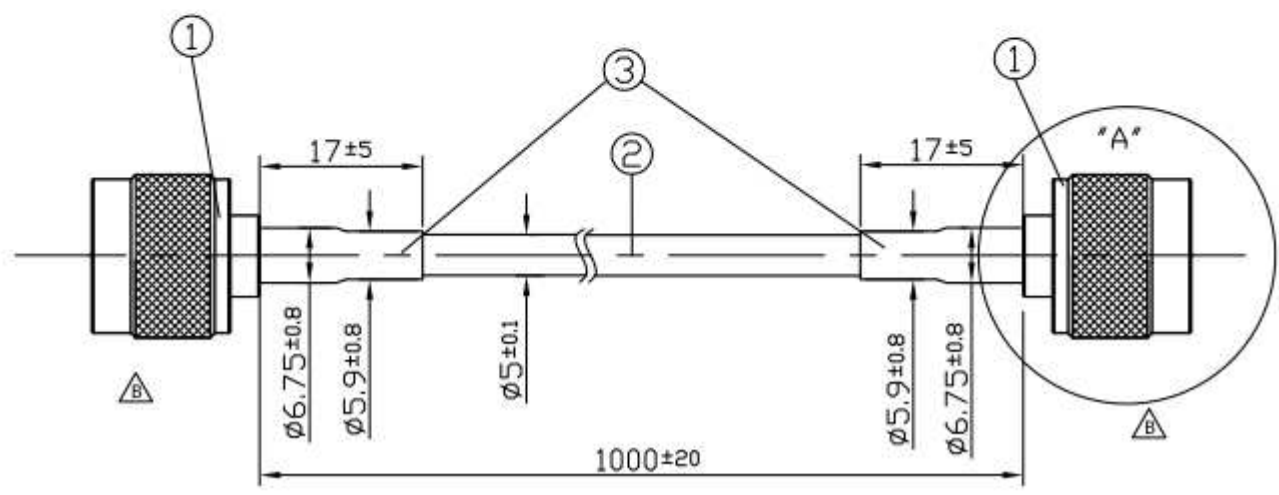
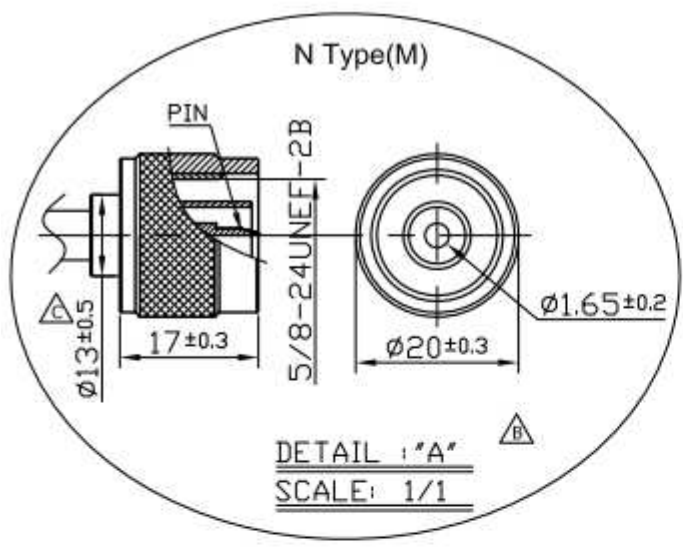


2.3 Electrical & Physical Specification

Insulation Resistance:	1000 MΩ-Km (Min)					
Capacitance	80.4 ± 3 pF/m					
Nom. Impedance	50 ± 3 Ω					
Attenuation (dB/100M)	150MHz	450MHz	900MHz	1500MHZ	1800MHZ	2500MHZ
	12.1	21.6	31.2	41.1	45.3	54.4

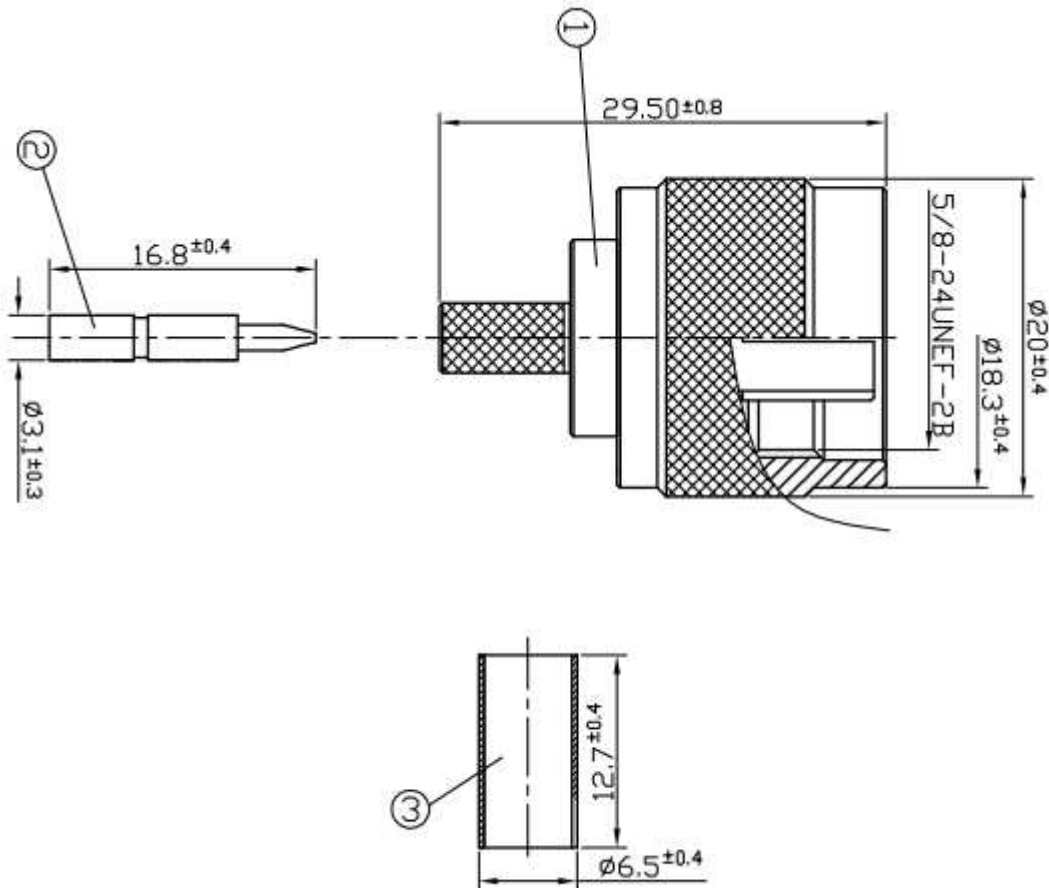
3. Technical Drawing

3.1 CAB.916



	Name	Part No.	Material	Finish	QTY
1	N Type(M)	N.TYPE.M.ST.PLUG.CFD200.J	Brass	Ni Plated	2
2	CFD-200	CFD.200.J	PVC Jacket	Black	1
3	Heat Shrink Tube	001311F0100XXA	PE	Black	2

3.2 Connector



	Name	Material	Finish	QTY
1	Body	Brass	Nickel	1
2	PIN	Brass	Gold Plated	1
3	Ferrule	Brass	Nickel	1