



Chipsmall Limited consists of a professional team with an average of over 10 year of expertise in the distribution of electronic components. Based in Hongkong, we have already established firm and mutual-benefit business relationships with customers from,Europe,America and south Asia,supplying obsolete and hard-to-find components to meet their specific needs.

With the principle of "Quality Parts,Customers Priority,Honest Operation,and Considerate Service",our business mainly focus on the distribution of electronic components. Line cards we deal with include Microchip,ALPS,ROHM,Xilinx,Pulse,ON,Everlight and Freescale. Main products comprise IC,Modules,Potentiometer,IC Socket,Relay,Connector.Our parts cover such applications as commercial,industrial, and automotives areas.

We are looking forward to setting up business relationship with you and hope to provide you with the best service and solution. Let us make a better world for our industry!



Contact us

Tel: +86-755-8981 8866 Fax: +86-755-8427 6832

Email & Skype: info@chipsmall.com Web: www.chipsmall.com

Address: A1208, Overseas Decoration Building, #122 Zhenhua RD., Futian, Shenzhen, China



SPECIFICATION

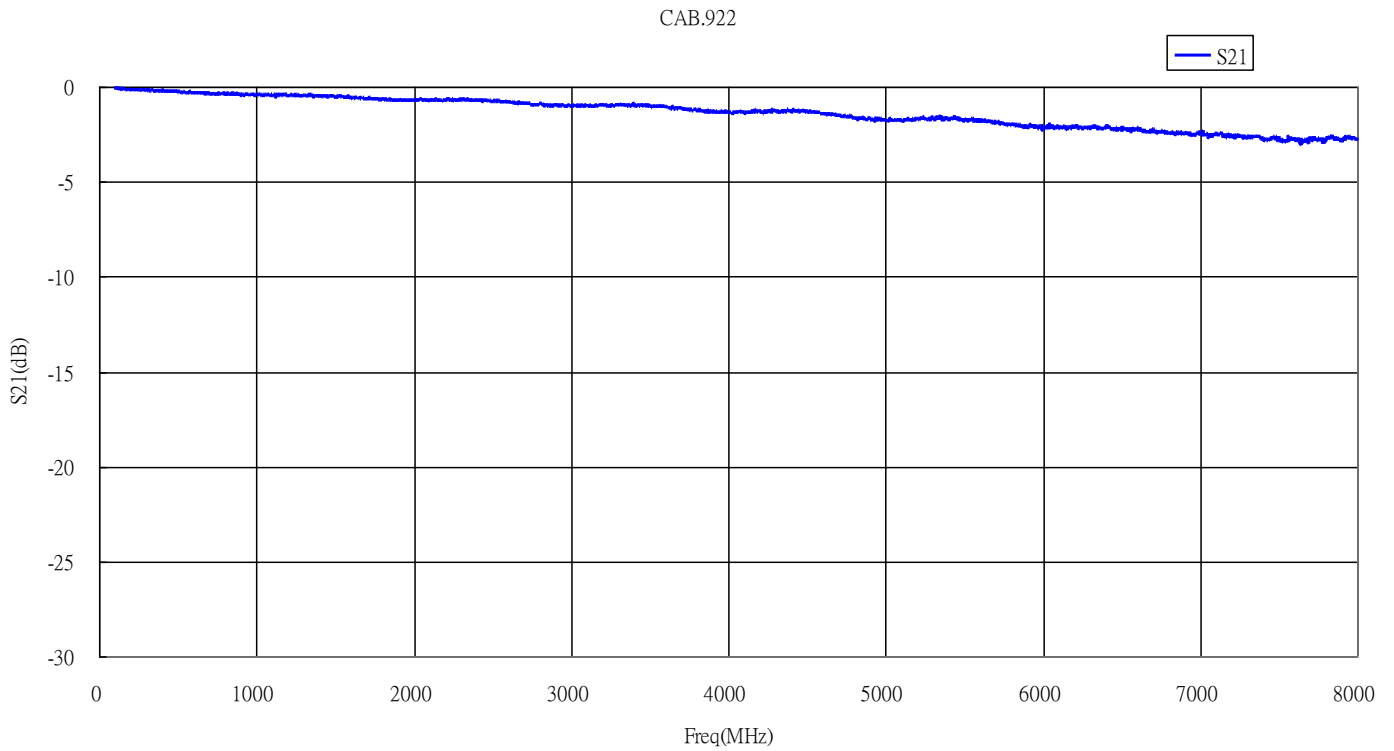
Part No. : **CAB.922**

Product Name : Taoglas Cable Assembly
SMA(F) Bulkhead Straight to
Murata GSC
with 95mm \varnothing 0.81mm cable

Photo :

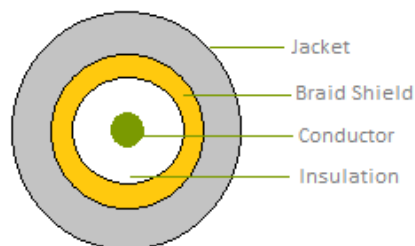


1.0 Cable Insertion Loss



2.0 Ø0.81mm Cable Specification

2.1 Drawing – Cross Section



2.2 Structure and Dimensions

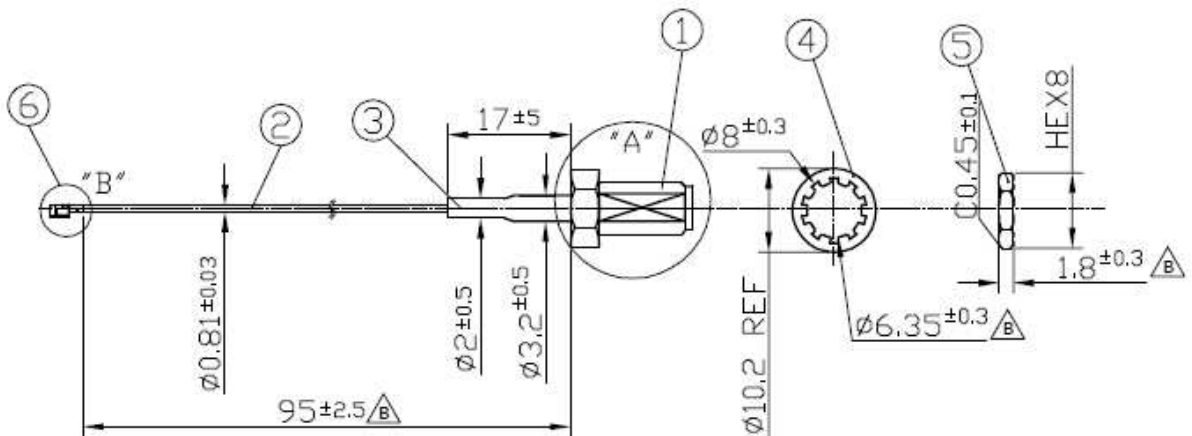
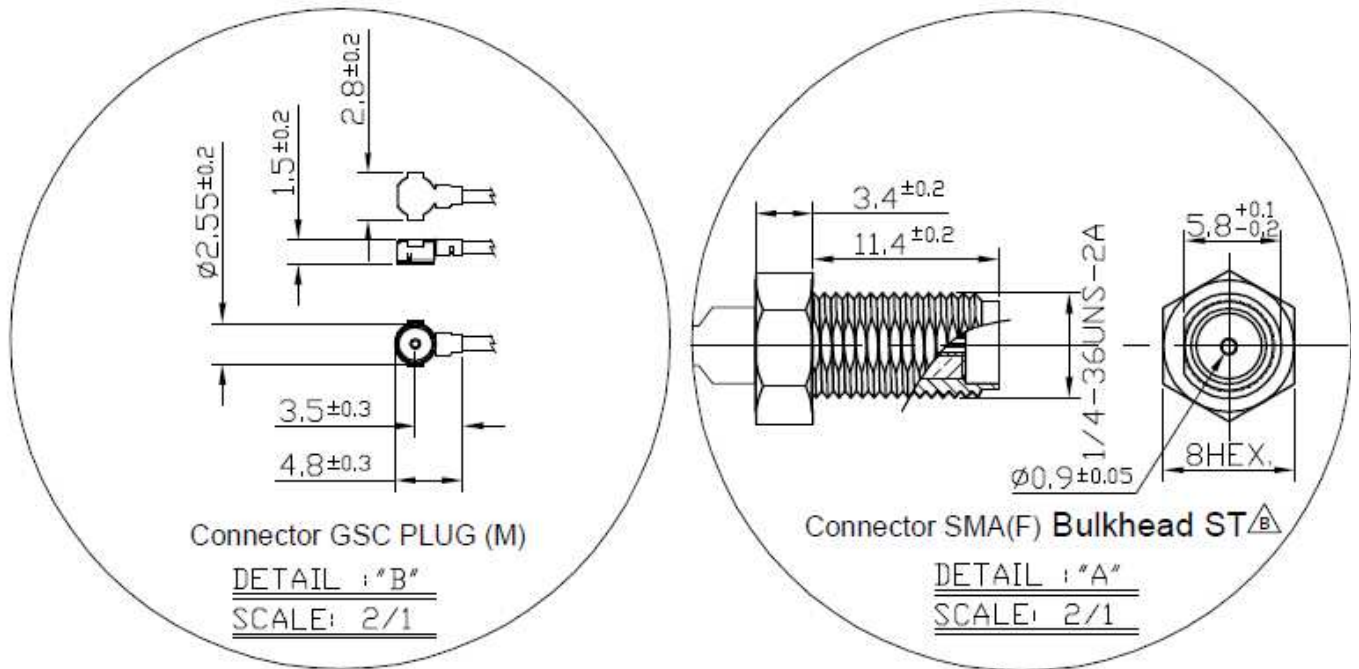


2.3 Electrical & Physical Specification

1	Insulation Resistance:	1000 MEGA OHM-KM Min.												
2	Conductor Resistance:	1400 OHM/KM/20°C Max.												
3	Dielectric Strength:	AC 1.0 KV/minute												
4	Spark test:	2.5 KV												
5	Nom. Impedance	50 ± 3 Ohms												
6	Nom. Capacitance	97 ± 3 pF/m												
7	Attenuation (dB/1M)	<table border="0"> <tr> <td>1.0GHz</td> <td>3.60</td> </tr> <tr> <td>2.0GHz</td> <td>5.10</td> </tr> <tr> <td>3.0GHz</td> <td>6.20</td> </tr> <tr> <td>4.0GHz</td> <td>7.50</td> </tr> <tr> <td>5.0GHz</td> <td>8.50</td> </tr> <tr> <td>6.0GHz</td> <td>9.40</td> </tr> </table>	1.0GHz	3.60	2.0GHz	5.10	3.0GHz	6.20	4.0GHz	7.50	5.0GHz	8.50	6.0GHz	9.40
1.0GHz	3.60													
2.0GHz	5.10													
3.0GHz	6.20													
4.0GHz	7.50													
5.0GHz	8.50													
6.0GHz	9.40													

3.0 Technical Drawing

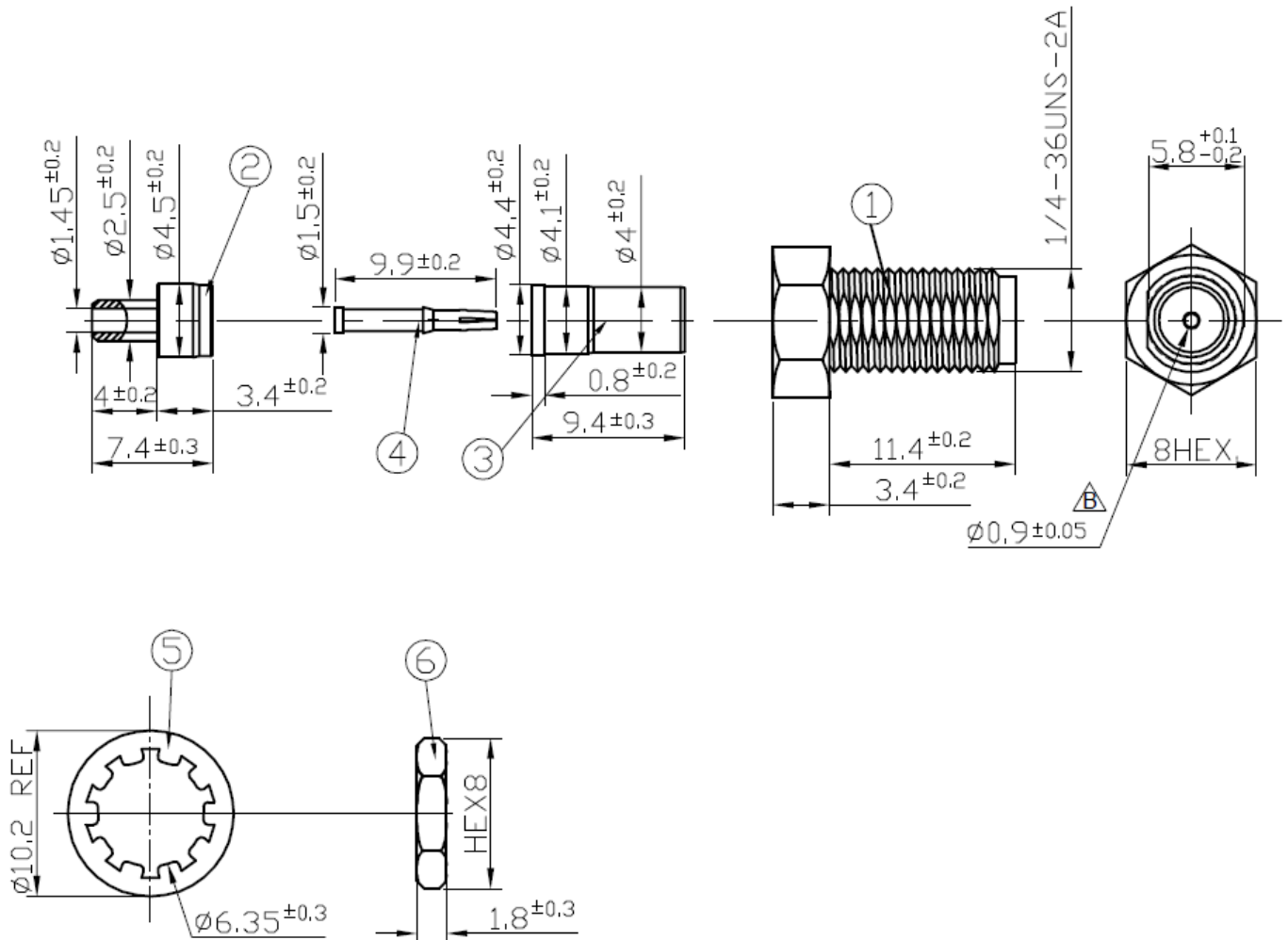
3.1 CAB.922



	Name	Part No.	Material	Finish	QTY
1	SMA(F) Bulkhead ST	SMA.F.ST.JACK.113.J	Brass	Gold	1
2	0.81 Coaxial Cable	OD.081.J	FEP Jacket	White / Gray \triangle_B	1
3	Heat Shrink Tube	001311H000013A	PE	Black	1
4	Washer		Brass	Gold	1
5	Nut		Brass	Gold	1
6	GSC	MUR.GSC.081	Brass	Silver	1

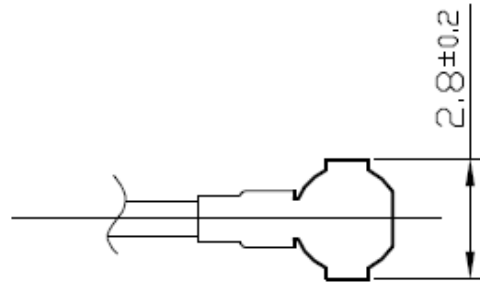
3.2 Connectors

3.2.1 SMA(F) Bulkhead Jack

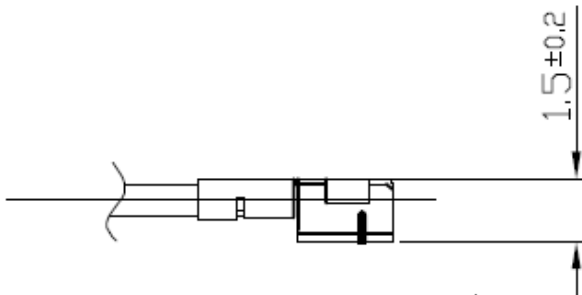


	Name	Material	Finish	QTY
1	Body	Brass	Gold	1
2	Body	Brass	Gold	1
3	Insulator	PTFE	White	1
4	Female Contact	Copper	Gold	1
5	Washer	Brass	Gold	1
6	Nut	Brass	Gold	1

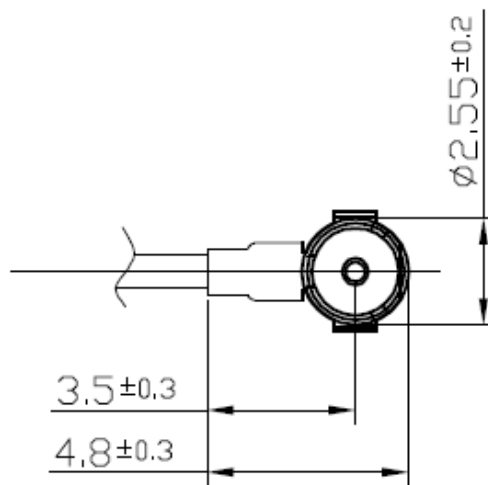
3.2.2 Murata GSC



Bottom



Side



Top

Mated View

