



Chipsmall Limited consists of a professional team with an average of over 10 year of expertise in the distribution of electronic components. Based in Hongkong, we have already established firm and mutual-benefit business relationships with customers from,Europe,America and south Asia,supplying obsolete and hard-to-find components to meet their specific needs.

With the principle of “Quality Parts,Customers Priority,Honest Operation,and Considerate Service”,our business mainly focus on the distribution of electronic components. Line cards we deal with include Microchip,ALPS,ROHM,Xilinx,Pulse,ON,Everlight and Freescale. Main products comprise IC,Modules,Potentiometer,IC Socket,Relay,Connector.Our parts cover such applications as commercial,industrial, and automotives areas.

We are looking forward to setting up business relationship with you and hope to provide you with the best service and solution. Let us make a better world for our industry!



## Contact us

Tel: +86-755-8981 8866 Fax: +86-755-8427 6832

Email & Skype: info@chipsmall.com Web: www.chipsmall.com

Address: A1208, Overseas Decoration Building, #122 Zhenhua RD., Futian, Shenzhen, China



# SPECIFICATION

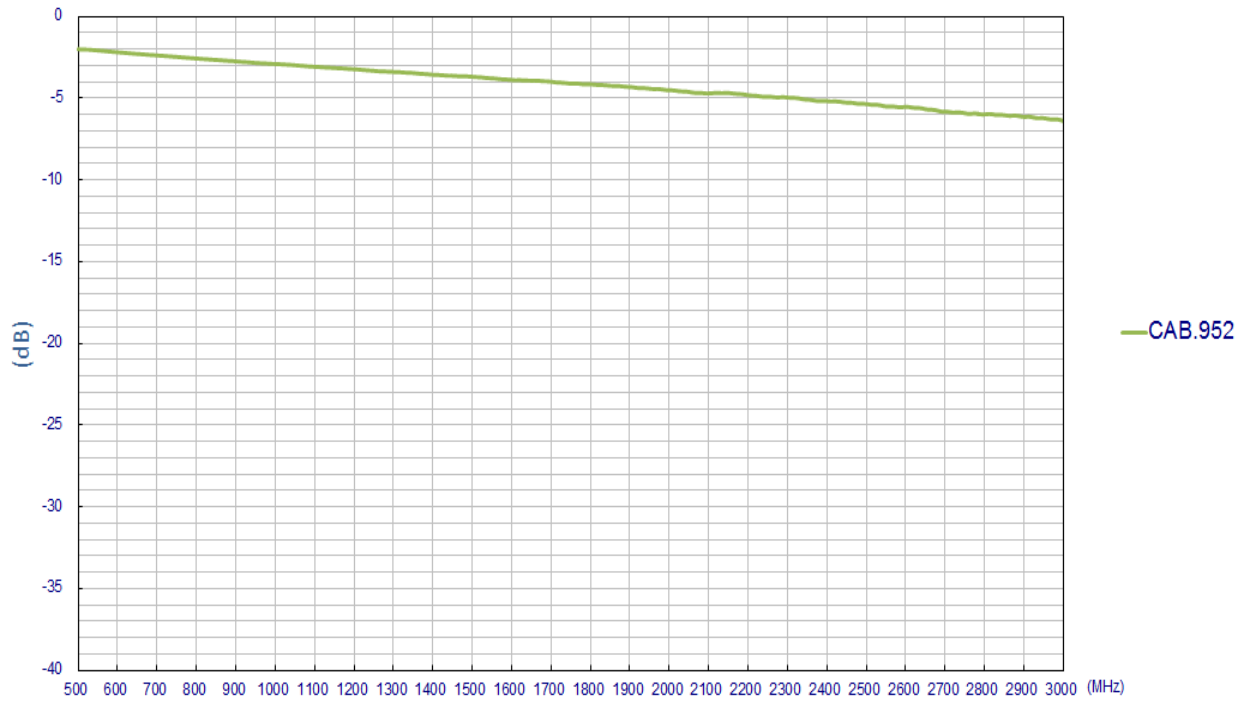
Part No. : **CAB.952**

Product Name : Taoglas Cable Assembly  
N Type Jack with O-Ring to 3000mm(9.84') RG-316 to SMA(M)

Photo :

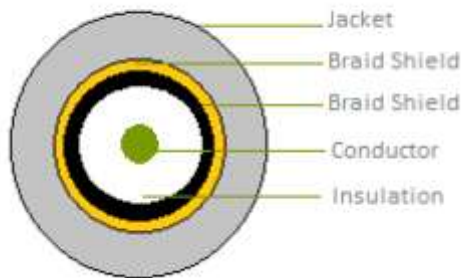


# 1. Cable Insertion Loss

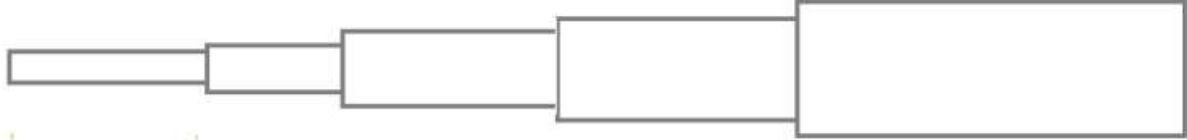


# 2. RG-316 Cable Specification

## 2.1 Drawing – Cross Section



## 2.2 Structure and Dimensions



Conductor	Insulation	Braid Shield	Braid Shield	Jacket
<ul style="list-style-type: none"> <li>Material – Silver Coated Copper Clad Steel</li> <li>26AWG(7/0.175mm)</li> <li>Diameter - 0.53mm</li> </ul>	<ul style="list-style-type: none"> <li>Material – FEP</li> <li>Avg. Thickness- 0.51mm</li> <li>Diameter – 1.53 ± 0.03mm</li> <li>Colour - Clear</li> </ul>	<ul style="list-style-type: none"> <li>Material-Silver -Coated Copper</li> <li>Structure – 16/5/0.10mm</li> <li>Coverage – 95%</li> <li>Diameter – 1.98 ± 0.05mm</li> </ul>	<ul style="list-style-type: none"> <li>Material-Silver -Coated Copper</li> <li>Structure – 16/5/0.10mm</li> <li>Coverage – 86%</li> <li>Diameter – 2.38 ± 0.05mm</li> </ul>	<ul style="list-style-type: none"> <li>Material – FEP</li> <li>Avg. Thickness- 0.30mm</li> <li>Diameter – 2.90 ± 0.10mm</li> <li>Colour – Brown</li> </ul>

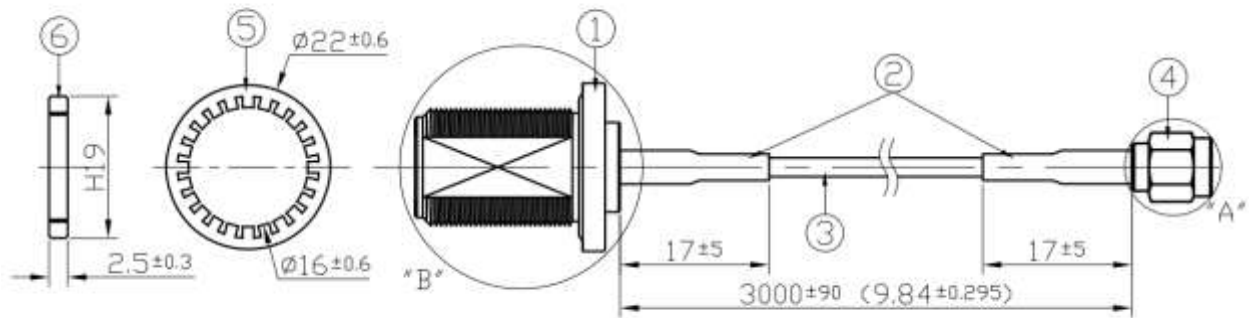
## 2.3 Electrical & Physical Specification

### The Characteristic of RG316 Coaxial Cable

Rating Temp Voltage:	105°C 30V					
Insulation Resistance:	3000 MΩ-Km (Min)					
Conductor Resistance:	302 Ω/Km 20°C (Max)					
Dielectric Strength:	AC 1 KV/Minute					
Spark Test	5.0 KV					
Nom. Impedance	50 ± 3 Ω					
Nom. Capacitance	95.8 ± 3 pF/m					
Nom. Vel. of Prop.	69%					
VSWR (0-6 GHz)	Max 1.3					
Attenuation (dB/3M)	500MHz	1GHz	1.5GHz	2GHz	2.5GHz	3GHz
	1.8	2.6	3.2	3.7	4.2	4.6

### 3. Technical Drawing

#### 3.1 CAB.952



	Name	Material	Finish	QTY
1	N Type(F) ST	Brass	Ni Plated	1
2	Heat Shrink Tube (RG-316)	PE	Black	2
3	RG-316 Coaxial Cable	FEP	Brown	1
4	SMA(M) ST	Brass	Gold	1
5	Washer	Brass	Ni Plated	1
6	Nut	Brass	Ni Plated	1

### 3.2 Connectors

