



Chipsmall Limited consists of a professional team with an average of over 10 year of expertise in the distribution of electronic components. Based in Hongkong, we have already established firm and mutual-benefit business relationships with customers from,Europe,America and south Asia,supplying obsolete and hard-to-find components to meet their specific needs.

With the principle of “Quality Parts,Customers Priority,Honest Operation,and Considerate Service”,our business mainly focus on the distribution of electronic components. Line cards we deal with include Microchip,ALPS,ROHM,Xilinx,Pulse,ON,Everlight and Freescale. Main products comprise IC,Modules,Potentiometer,IC Socket,Relay,Connector.Our parts cover such applications as commercial,industrial, and automotives areas.

We are looking forward to setting up business relationship with you and hope to provide you with the best service and solution. Let us make a better world for our industry!



Contact us

Tel: +86-755-8981 8866 Fax: +86-755-8427 6832

Email & Skype: info@chipsmall.com Web: www.chipsmall.com

Address: A1208, Overseas Decoration Building, #122 Zhenhua RD., Futian, Shenzhen, China



SPECIFICATION

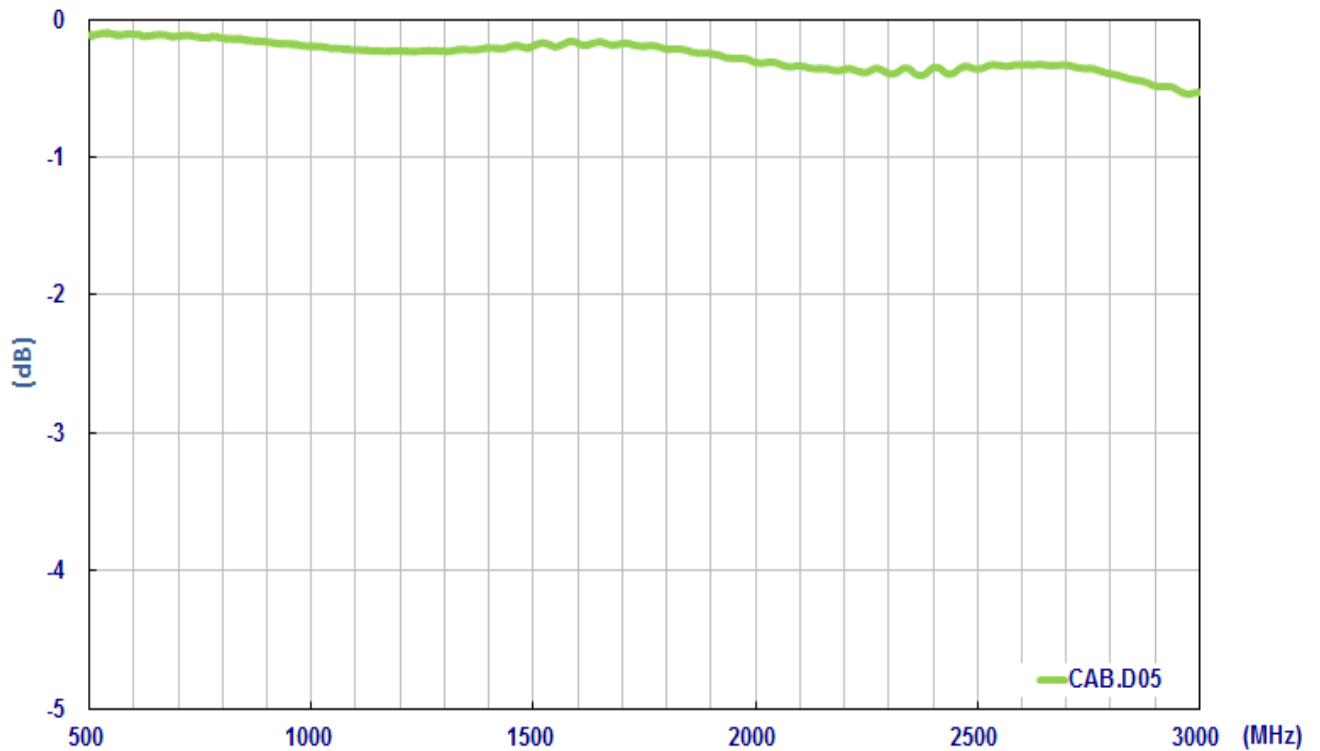
Part No. : **CAB.D05**

Product Name : Taoglas Cable Assembly
SMA(F)Bulkhead Straight to
Fakra Code C Blue Straight Plug Waterproof
with 100mm RG-174 cable

Photo :

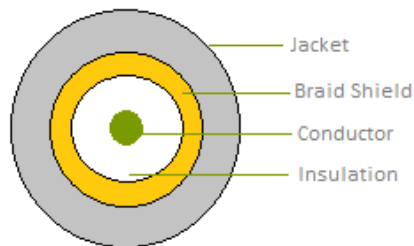


1. Cable Insertion Loss



2. RG-174 Cable Specification

2.1 Drawing – Cross Section



2.2 Structure and Dimensions

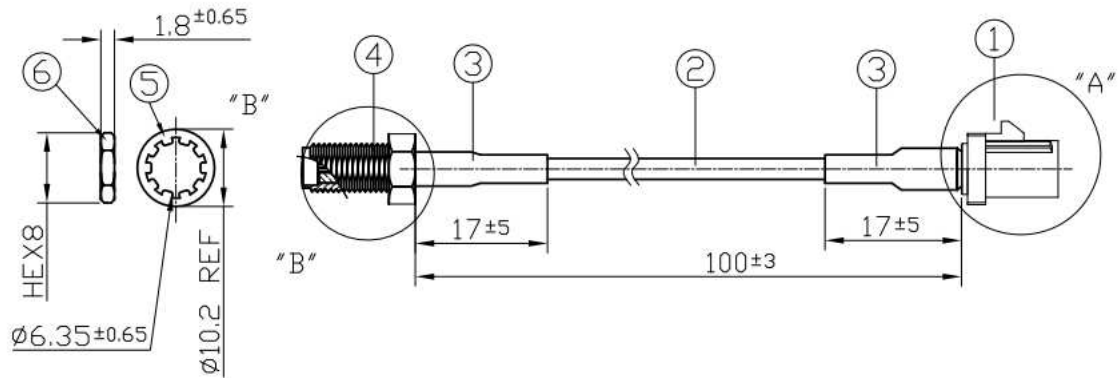


2.3 Electrical & Physical Specification

| | | |
|---|------------------------|-----------------------------------------------|
| 1 | Temperature rating: | 80°C |
| 2 | Voltage Rating: | 30V |
| 3 | Insulation Resistance: | 10MΩ-Km (Min) at 20°C dc 500V(EIA-364-21) |
| 4 | Conductor Resistance: | 20°C 26 AWG: 148.96 Ω/Km (Max) |
| 5 | Capacitance: | 30.8pf/ft |
| 6 | Dielectric Strength | AC 500V/1 minute no breakdown (EIA-364-20) |
| 7 | Impedance: | 10MHz~3GHz 50 ± 5 Ω |
| 8 | Standard Attenuation: | 100MHz 8.4 dB/100ft |
| | | 200MHz 12.5 dB/100ft |
| | | 400MHz 19.0 dB/100ft |
| | | 900MHz 31.0 dB/100ft |
| | | 1GHz 34.0 dB/100ft |
| | | 1.8GHz 49.4 dB/100ft |
| | | 2.34GHz 53.0 dB/100ft |

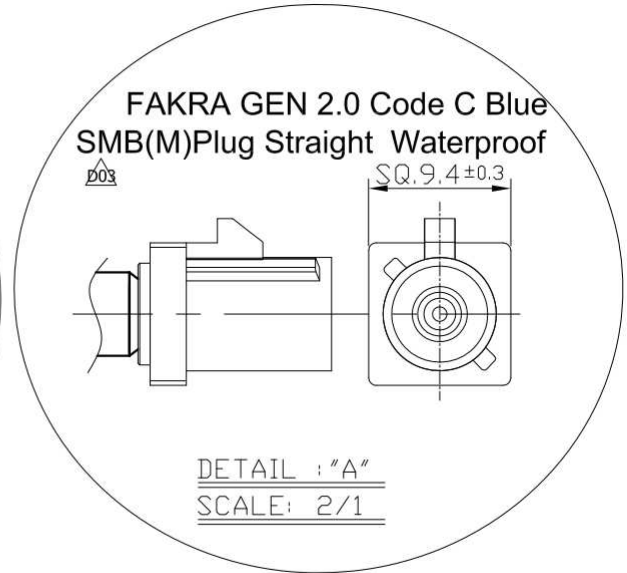
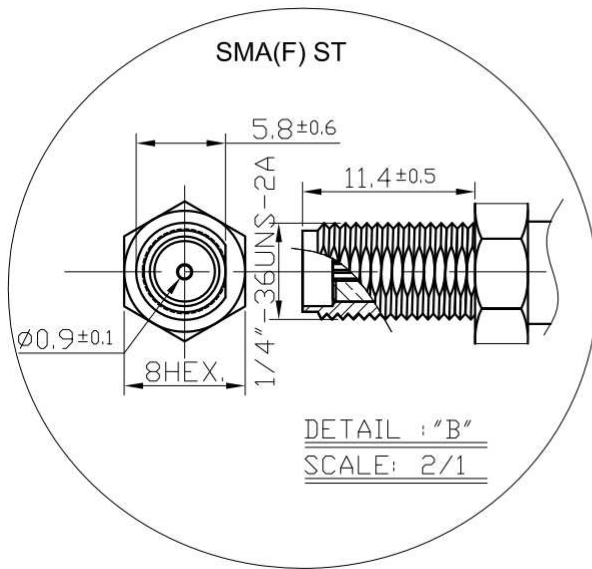
3. Technical Drawing

3.1 CAB.D05



| | Name | Material | Finish | QTY |
|---|----------------------------------------------------------|----------|--------|-----|
| ① | FAKRA GEN 2.0 Code C Blue SMB(M)Plug Straight Waterproof | PA66 | Blue | 1 |
| ② | RG174 Coaxial Cable | PVC | Black | 1 |
| ③ | Heat Shrink Tube RG174 | PE | Black | 2 |
| ④ | SMA(F) ST | Brass | Gold | 1 |
| ⑤ | Washer | Brass | Gold | 1 |
| ⑥ | Nut | Brass | Gold | 1 |

3.2 Connectors



3.3 Recommended Mounting Hole – SMA(F) Bulkhead

