



Chipsmall Limited consists of a professional team with an average of over 10 year of expertise in the distribution of electronic components. Based in Hongkong, we have already established firm and mutual-benefit business relationships with customers from,Europe,America and south Asia,supplying obsolete and hard-to-find components to meet their specific needs.

With the principle of “Quality Parts,Customers Priority,Honest Operation,and Considerate Service”,our business mainly focus on the distribution of electronic components. Line cards we deal with include Microchip,ALPS,ROHM,Xilinx,Pulse,ON,Everlight and Freescale. Main products comprise IC,Modules,Potentiometer,IC Socket,Relay,Connector.Our parts cover such applications as commercial,industrial, and automotives areas.

We are looking forward to setting up business relationship with you and hope to provide you with the best service and solution. Let us make a better world for our industry!



Contact us

Tel: +86-755-8981 8866 Fax: +86-755-8427 6832

Email & Skype: info@chipsmall.com Web: www.chipsmall.com

Address: A1208, Overseas Decoration Building, #122 Zhenhua RD., Futian, Shenzhen, China



SPECIFICATION

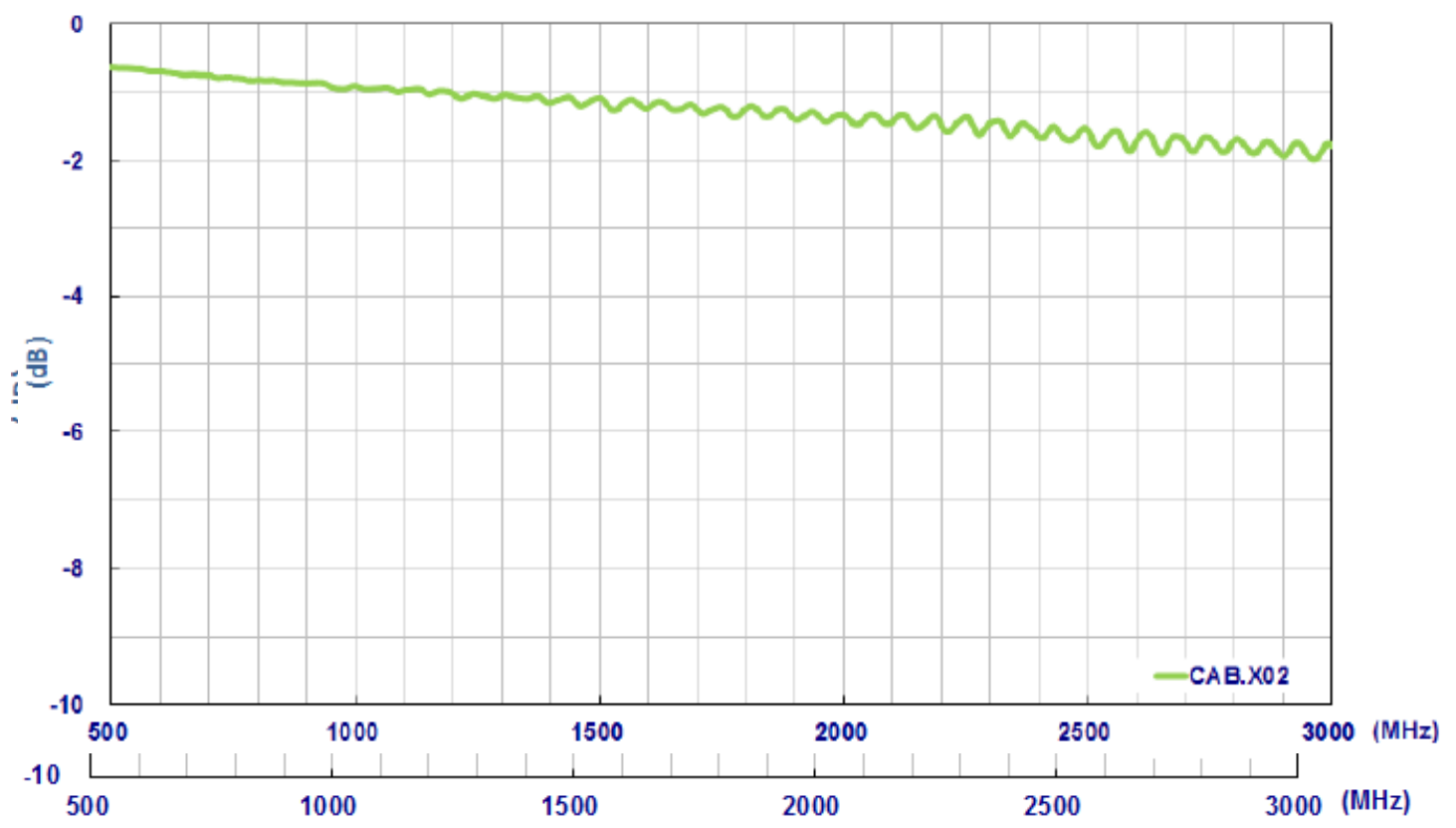
Part No. : **CAB.X02**

Product Name : Taoglas Magnet Mount Antenna Base with Cable
2M Low Loss CFD-200 cable
SMA(F) on base to SMA(M) Straight Plug on cable

Photo :

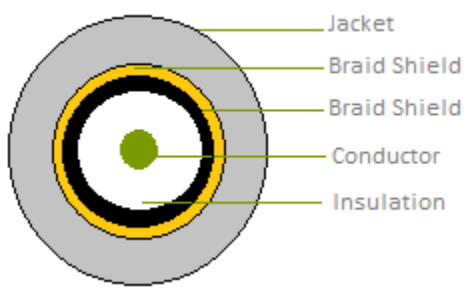


1. Cable Insertion Loss

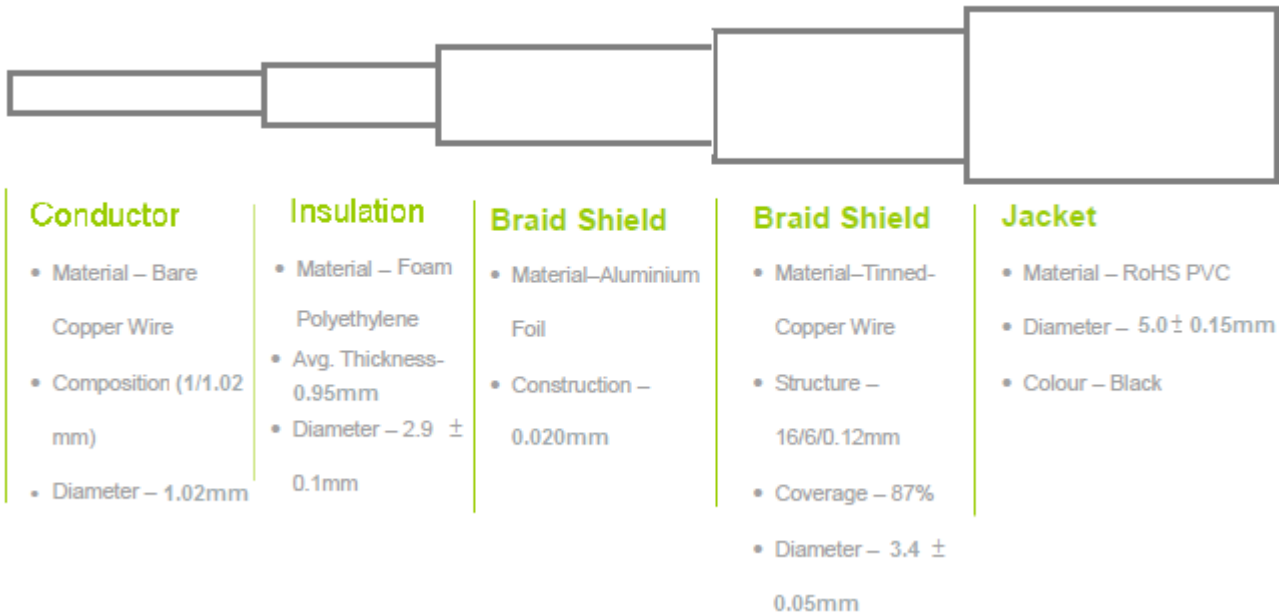


2. CFD-200 Cable Specification

2.1 Drawing – Cross Section



2.2 Structure and Dimensions

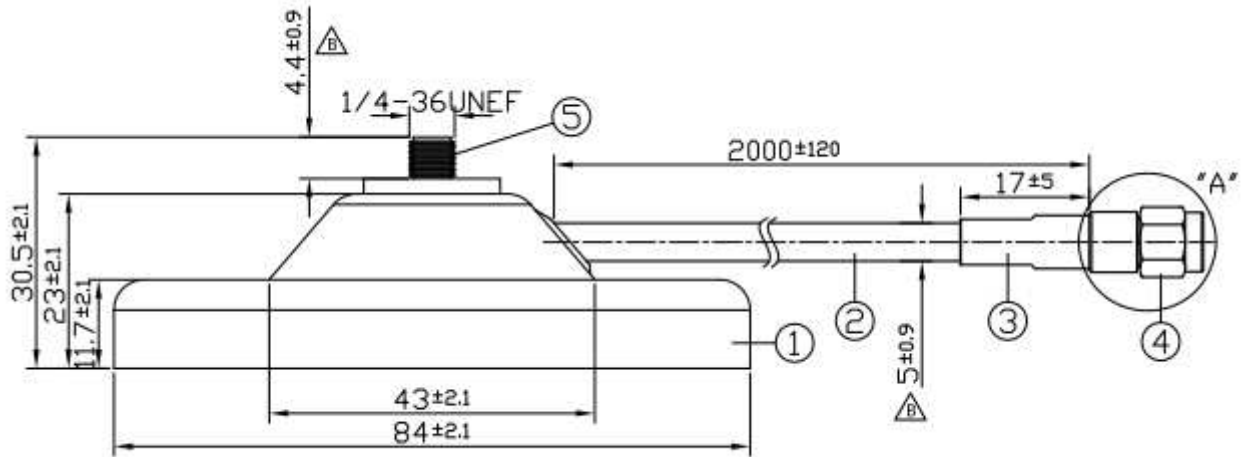


2.3 Electrical & Physical Specification

ELECTRICAL						
Attenuation	150MHz	450MHz	900MHz	1500MHz	1800MHz	2500MHz
dB/100M	12.1	21.6	31.2	41.1	45.3	54.4
Insulation Resistance	1000 MΩ-Km (Min)					
Capacitance	80.4 ± 3 pF/m					
Nom. Impedance	53 ± 3 Ω					
MECHANICAL						
Cable Type	CFD-200 coaxial cable					
Cable length	2 Meters					
Connectors	SMA(M) SMA(F) Magnet Mount Base					
Connector Max. Torque	0.9N·m					
Magnetic Pull Force	2.92kgf					
Weight	330g					
Magnet	Ferric Oxide					
ENVIRONMENTAL						
Temperature Range	-40°C to 85°C					
Humidity	Non-condensing 65°C 95% RH					

3. Technical Drawing

3.1 CAB.X02



	Name	Material	Finish	QTY
1	SMA(F) Magnet Mount	SPCC Steel	Black	1
2	CFD200 Coaxial Cable	PVC	Black	1
3	Heat Shrink Tube	PE	Black	1
4	SMA(M) ST	Brass	Gold	1
5	SMA(F) ST	Brass	Gold	1

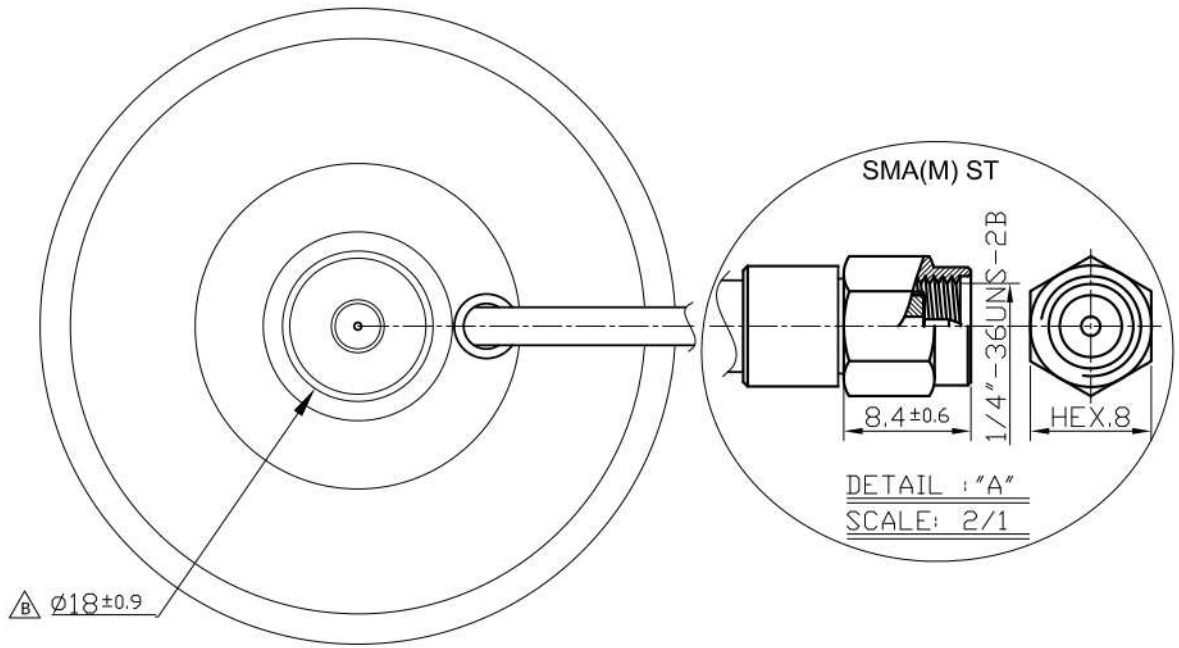
Note:

Minimum Bend Radius: 12.7mm

SMA Connector Recommended Torque for Mounting is 0.9N·m

Maxium Torque for Mounting is 1.176 N·m

3.2 Connectors

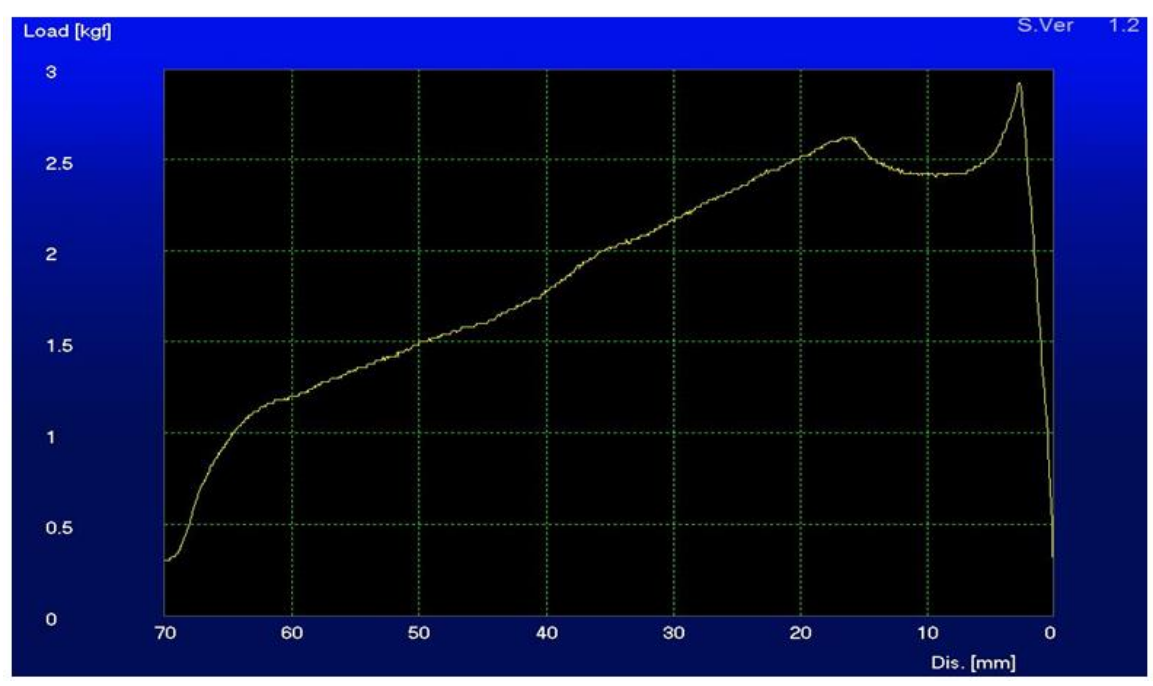


4. Magnetic Pull Force Limit (kilogram-force, kgf)

4.1 Testing setup

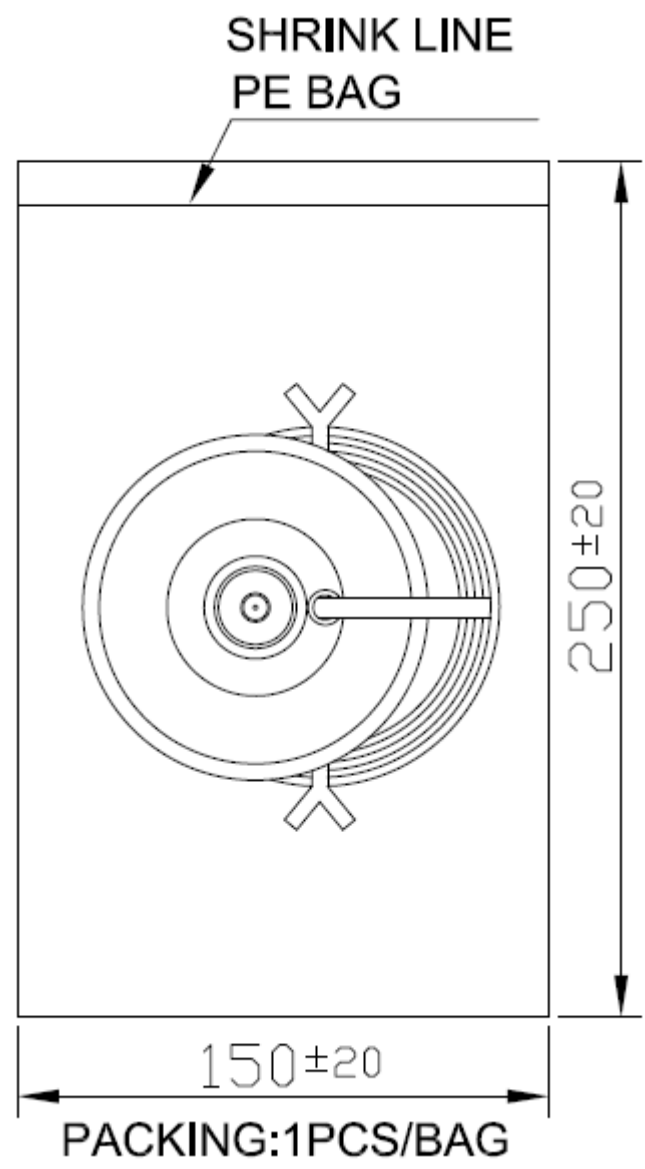


Distance(mm)	0.5	1.0	1.5	2.0	2.5	2.8	3.5	4.0	4.5	5.0
Pulling force(Kgf)	0.86	1.37	1.86	2.32	2.75	2.92	2.73	2.65	2.58	2.52
Distance(mm)	5.5	6.0	6.5	7.0	7.5	8.0	8.5	9.0	9.5	10.0
Pulling force(Kgf)	2.49	2.46	2.44	2.42	2.42	2.42	2.42	2.41	2.41	2.42



Maximum Pull Force : 2.92kgf

5. Packaging



Unit: mm