



Chipsmall Limited consists of a professional team with an average of over 10 year of expertise in the distribution of electronic components. Based in Hongkong, we have already established firm and mutual-benefit business relationships with customers from,Europe,America and south Asia,supplying obsolete and hard-to-find components to meet their specific needs.

With the principle of “Quality Parts,Customers Priority,Honest Operation,and Considerate Service”,our business mainly focus on the distribution of electronic components. Line cards we deal with include Microchip,ALPS,ROHM,Xilinx,Pulse,ON,Everlight and Freescale. Main products comprise IC,Modules,Potentiometer,IC Socket,Relay,Connector.Our parts cover such applications as commercial,industrial, and automotives areas.

We are looking forward to setting up business relationship with you and hope to provide you with the best service and solution. Let us make a better world for our industry!



Contact us

Tel: +86-755-8981 8866 Fax: +86-755-8427 6832

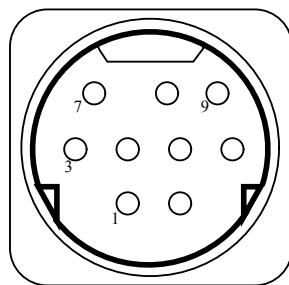
Email & Skype: info@chipsmall.com Web: www.chipsmall.com

Address: A1208, Overseas Decoration Building, #122 Zhenhua RD., Futian, Shenzhen, China

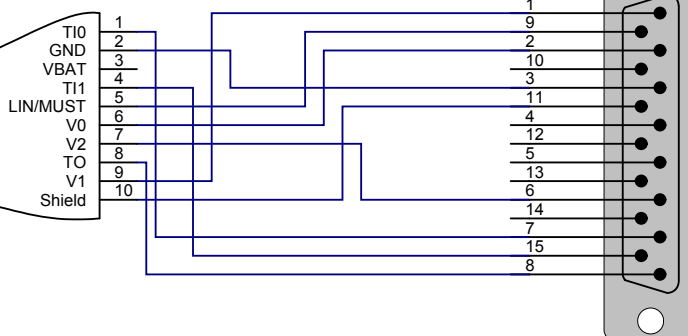




scale - Masstab 1:1




MiniDIN9 plug with cable
CON2



CON_DSUB15_M_Loetkelch
front view - Blick auf Steckerseite

Signal	Farbe	Pin MiniDIN	Pin DSub
V1	grau	9	1
V0	gruen	6	2
GND	braun	2	3
V2	blau	7	6
T10	schwarz	1	7
TO	violett	8	8
LIN/MUST	gelb	5	9
shield	blank	shield	11 - mit Schrumpfschlauch isoliert
T11	orange	4	15

History:
Revision V2.0
- CON2 Pin6 now connected to CON1 pin2 instead of pin10

Title: PTC04_DSub15 to MLX_MiniDIN9		Revision: 2.0		 Microelectronic Integrated Systems www.melexis.com
Size: A4	PTC04_to_MLX_MiniDIN9_V20.SchDoc	Author: HLT		
Print-Date: 30/04/2015	Modified (File Date): 30/04/2015	Sheet: 1 of 1		
File: T:\DATENEVABRD\Kabel\PTC04_DSub15_to_MLX_MiniDIN9\PTC04_to_MLX_MiniDIN9_V20.SchDoc				

Comment	Description	Designator	Footprint	LibRef	Quantity
CON_DSUB15_M_Loetk elch	z.B. reicht D-SUB ST 15L + KAPPE 15M	CON1		CON_DSUB15_M_LK	1
CON_MinidIN_cable_9pi	Kabel 2x MiniDIN-9 Steck	CON2		CON_MinidIN_cable_9pi	1