



Chipsmall Limited consists of a professional team with an average of over 10 year of expertise in the distribution of electronic components. Based in Hongkong, we have already established firm and mutual-benefit business relationships with customers from,Europe,America and south Asia,supplying obsolete and hard-to-find components to meet their specific needs.

With the principle of “Quality Parts,Customers Priority,Honest Operation,and Considerate Service”,our business mainly focus on the distribution of electronic components. Line cards we deal with include Microchip,ALPS,ROHM,Xilinx,Pulse,ON,Everlight and Freescale. Main products comprise IC,Modules,Potentiometer,IC Socket,Relay,Connector.Our parts cover such applications as commercial,industrial, and automotives areas.

We are looking forward to setting up business relationship with you and hope to provide you with the best service and solution. Let us make a better world for our industry!



Contact us

Tel: +86-755-8981 8866 Fax: +86-755-8427 6832

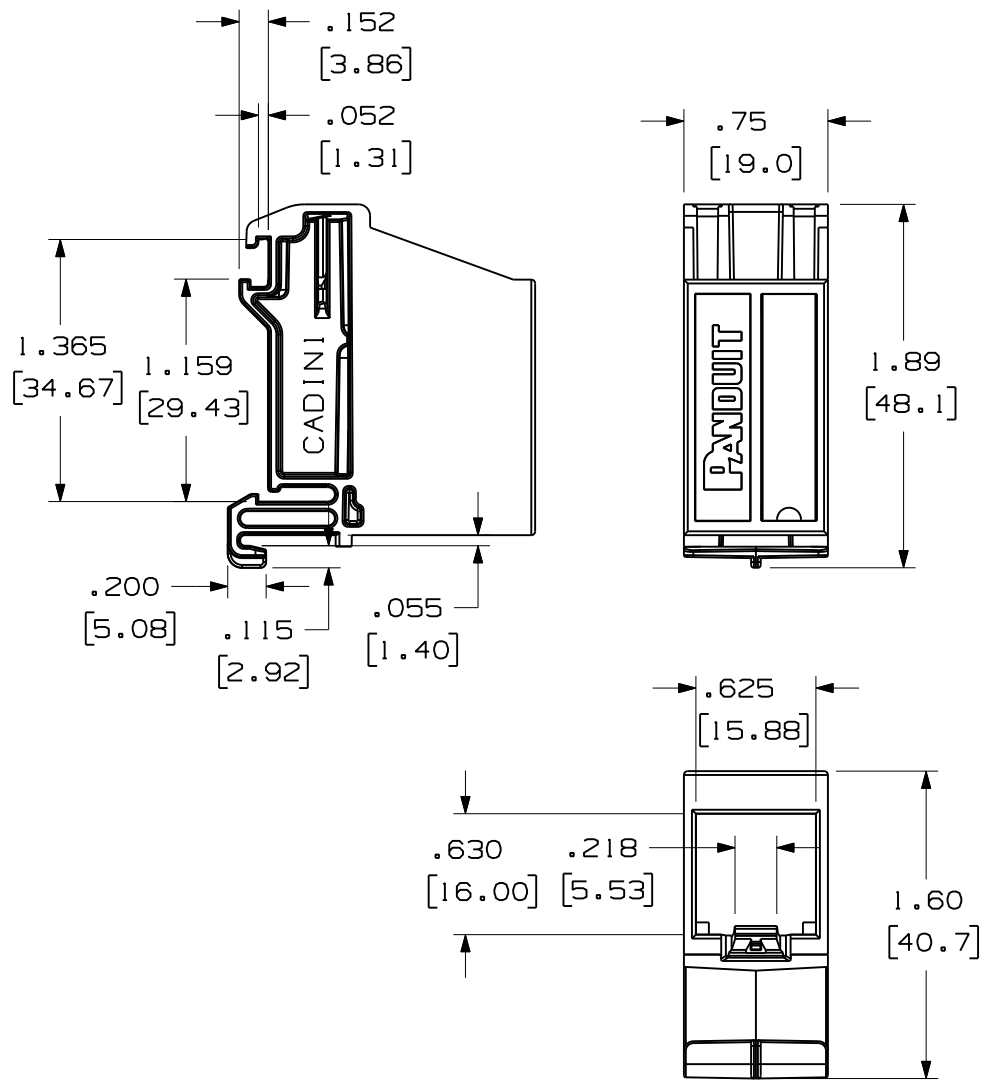
Email & Skype: info@chipsmall.com Web: www.chipsmall.com

Address: A1208, Overseas Decoration Building, #122 Zhenhua RD., Futian, Shenzhen, China



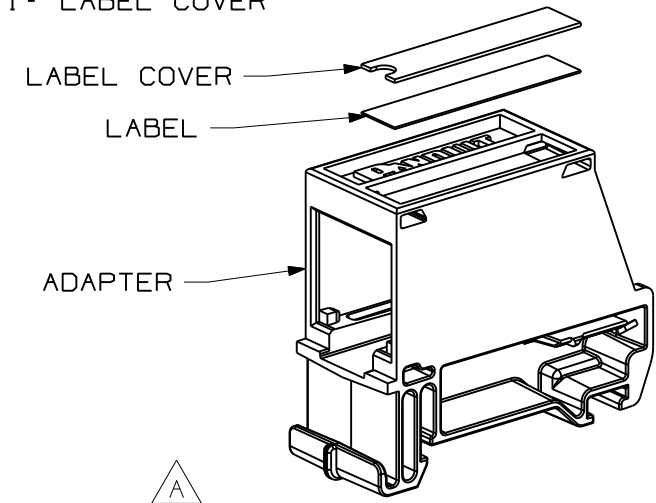
THIS COPY IS PROVIDED ON A RESTRICTED BASIS AND IS NOT TO BE USED IN ANY WAY DETRIMENTAL TO THE INTERESTS OF PANDUIT CORP.

PANDUIT P/N	WEIGHT
CADINI**	0.55 LB/10PCS (250 g/10 PCS)



NOTES:

- SEE CURRENT CATALOG FOR ADDITIONAL PART NUMBER SUFFIXES TO INDICATE COLOR AND OR PACKAGE QUANTITY.
- SEE CATALOG FOR COMPLETE LIST OF PARTS APPLICABLE FOR USE WITH THIS PART.
- DIMENSIONS IN PARENTHESES ARE IN METRIC.
- PART INCLUDES:
 - 1- PLASTIC ADAPTER
 - 1- LABEL
 - 1- LABEL COVER



MODEL FILENAME	10M180AA/01	SIZE	A
DRAWING FILENAME	10M180AA_DCO2/01A		
MINI-COM 1 PORT DIN RAIL ADAPTER W/LABEL AND LABEL COVER CUSTOMER DRAWING			
PANDUIT [®] TINLEY PARK, IL 60487		I.I. NUMBER	
		PRODUCT SPEC/ PKG SPEC	
<p>THIRD ANGLE PROJECTION</p>		ASSY METHOD/ TEST METHOD	
		SCALE	
DRAWN BY		PART NO.	
BJN		CADINI**	
DATE		DRAWING NO.	
3-10-11		10M180AA-02	
CHK'D			
REFR			

REV	DATE	BY	CHK	DESCRIPTION	ECN	R	CUST	SUP	OTH
I	4-19-11	BJN	REFR	A. UPDATED MODEL TO REV 01	10M180AA-02				
R	3-10-11	BJN	REFR	RELEASED TO PRODUCTION	10M180AA-02		MMR		