



Chipsmall Limited consists of a professional team with an average of over 10 year of expertise in the distribution of electronic components. Based in Hongkong, we have already established firm and mutual-benefit business relationships with customers from,Europe,America and south Asia,supplying obsolete and hard-to-find components to meet their specific needs.

With the principle of "Quality Parts,Customers Priority,Honest Operation,and Considerate Service",our business mainly focus on the distribution of electronic components. Line cards we deal with include Microchip,ALPS,ROHM,Xilinx,Pulse,ON,Everlight and Freescale. Main products comprise IC,Modules,Potentiometer,IC Socket,Relay,Connector.Our parts cover such applications as commercial,industrial, and automotives areas.

We are looking forward to setting up business relationship with you and hope to provide you with the best service and solution. Let us make a better world for our industry!



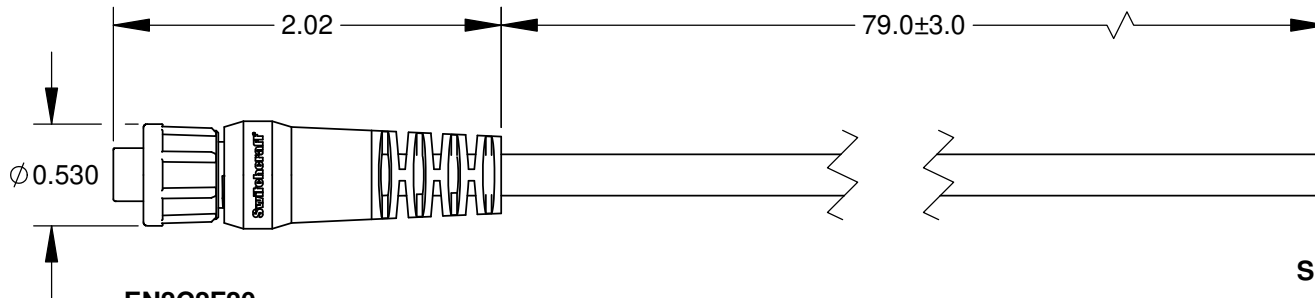
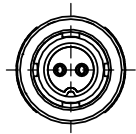
Contact us

Tel: +86-755-8981 8866 Fax: +86-755-8427 6832

Email & Skype: info@chipsmall.com Web: www.chipsmall.com

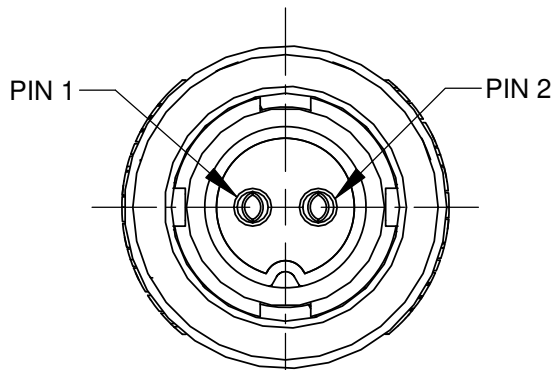
Address: A1208, Overseas Decoration Building, #122 Zhenhua RD., Futian, Shenzhen, China





S.C.O

**EN2C2F20
OVERMOLDED**
OVERMOLD - BLACK THERMOPLASTIC RUBBER
CONNECTOR - BLACK THERMOPLASTIC, WITH INSERT
MOLDED BLACK THERMOPLASTIC RUBBER.
CONTACTS - COPPER ALLOY, GOLD PLATED



| WIRING TABLE | |
|--------------|------------|
| EN2C2F20 | WIRE COLOR |
| PIN 1 | BLACK |
| PIN 2 | WHITE |

NOTES:

1. THIS PRODUCT IS RoHS COMPLIANT

**EN2C2F20 VIEWED FROM
FRONT MATING
SIDE OF CONNECTOR
SCALE 3 : 1**

CUSTOMER DRAWING

| | | | | | | | | | |
|----------------------|---|---|---|---|--|----------|------------------------|------------|----------|
| | | | | | THIS DRAWING DESCRIBES A DESIGN CONSIDERED PROPRIETARY IN NATURE, DEVELOPED AND MANUFACTURED BY SWITCHCRAFT INC. AND IS RELEASED ON A CONFIDENTIAL BASIS FOR IDENTIFICATION PURPOSES ONLY. | | | | |
| | | | | | SIZE * | WIDTH * | MULT * | LBS/M * | TEMPER * |
| | | | | | FINISH * | | | MATERIAL * | |
| | | | | | SPEC No. * | | | SPEC No. * | |
| | | | | | FIRST USED ON * | | SCALE 1:1 | | |
| 0A | * | * | * | * | DATE DRAWN 11/23/16 | BY AB | CHKD AB 11/23/16 | APVD * | |
| REVISIONS | | | | | NAME EN2C2F20 ON 79" OF CABLE, RoHS | | | | |
| DO NOT SCALE DRAWING | | | | | PART No. CAEN2C2F07990 | | | REV 0A | |

