



Chipsmall Limited consists of a professional team with an average of over 10 year of expertise in the distribution of electronic components. Based in Hongkong, we have already established firm and mutual-benefit business relationships with customers from,Europe,America and south Asia,supplying obsolete and hard-to-find components to meet their specific needs.

With the principle of “Quality Parts,Customers Priority,Honest Operation,and Considerate Service”,our business mainly focus on the distribution of electronic components. Line cards we deal with include Microchip,ALPS,ROHM,Xilinx,Pulse,ON,Everlight and Freescale. Main products comprise IC,Modules,Potentiometer,IC Socket,Relay,Connector.Our parts cover such applications as commercial,industrial, and automotives areas.

We are looking forward to setting up business relationship with you and hope to provide you with the best service and solution. Let us make a better world for our industry!



Contact us

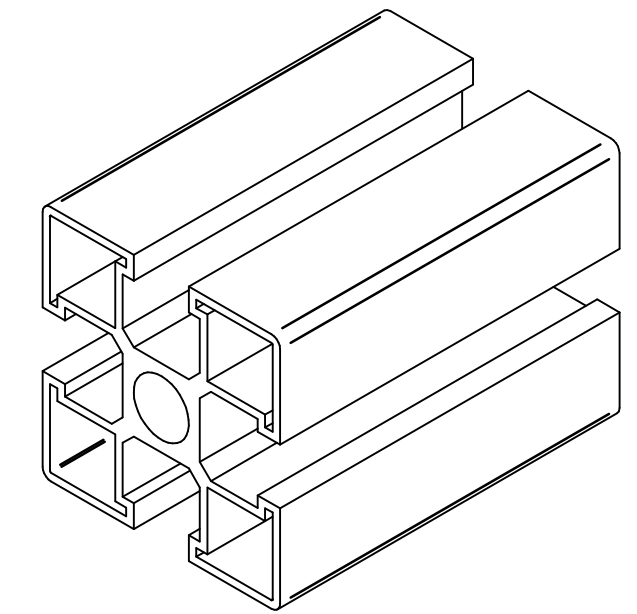
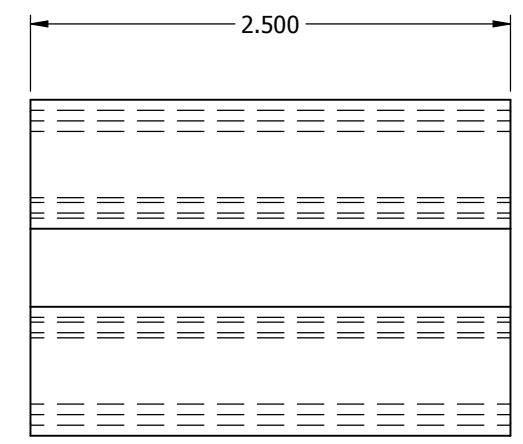
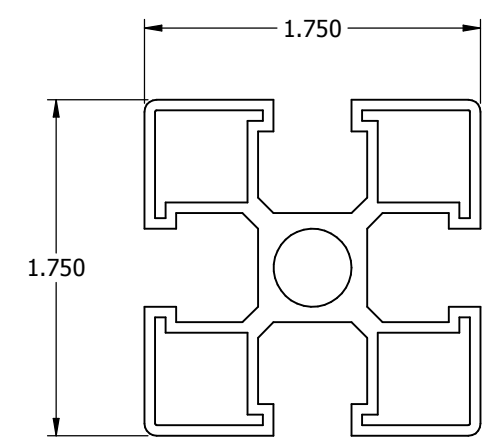
Tel: +86-755-8981 8866 Fax: +86-755-8427 6832

Email & Skype: info@chipsmall.com Web: www.chipsmall.com

Address: A1208, Overseas Decoration Building, #122 Zhenhua RD., Futian, Shenzhen, China



REV	ECN	DESCRIPTION	DATE	ENGR	CHK'D
A	6172	RELEASED	OCT 4/06	KT	



NOTES - UNLESS OTHERWISE SPECIFIED:
 1. REMOVE ALL BURRS AND SHARP EDGES.

UNLESS OTHERWISE SPECIFIED
 ALL DIMENSIONS ARE SHOWN IN INCHES.

TOLERANCES - UNLESS OTHERWISE INDICATED:				
DIMENSION	UNDER 6"	6" TO 24"	OVER 24"	OVER 48"
FRACTION	± 1/32"	± 3/64"	± 1/16"	± 1/8"
.XX	± 0.04"	± 0.05"	± 0.06"	± 0.13"
.XXX	± 0.020"	± 0.020"	± 0.020"	± 0.030"
HOLE Ø	± 0.005"			
ANGLE	± 1°			

N/A		N/A		PART No. CAK1924	
MODIFIED FROM		NEXT ASSEMBLY			
DWN	KTURNER	SHEET SIZE	HAMMOND MANUFACTURING CO. LTD Enclosure Group		
DATE	04-Oct-06	B	THIS DRAWING IS PROPRIETARY INFORMATION OF HAMMOND MFG. CO. LTD. NOT TO BE USED WITHOUT EXPRESSED WRITTEN PERMISSION OF HAMMOND MFG. CO. LTD.		
CHK.		TITLE: 24" TO 19" RACK SPACER			
AUTH.					
MAT'L	SPC20252				
CAD DATA ONLY: DO NOT MANUALLY UPDATE				SCALE: 1:1	DWG: CAK1924
				SHEET: 1 OF 1	