



Chipsmall Limited consists of a professional team with an average of over 10 year of expertise in the distribution of electronic components. Based in Hongkong, we have already established firm and mutual-benefit business relationships with customers from,Europe,America and south Asia,supplying obsolete and hard-to-find components to meet their specific needs.

With the principle of “Quality Parts,Customers Priority,Honest Operation,and Considerate Service”,our business mainly focus on the distribution of electronic components. Line cards we deal with include Microchip,ALPS,ROHM,Xilinx,Pulse,ON,Everlight and Freescale. Main products comprise IC,Modules,Potentiometer,IC Socket,Relay,Connector.Our parts cover such applications as commercial,industrial, and automotives areas.

We are looking forward to setting up business relationship with you and hope to provide you with the best service and solution. Let us make a better world for our industry!



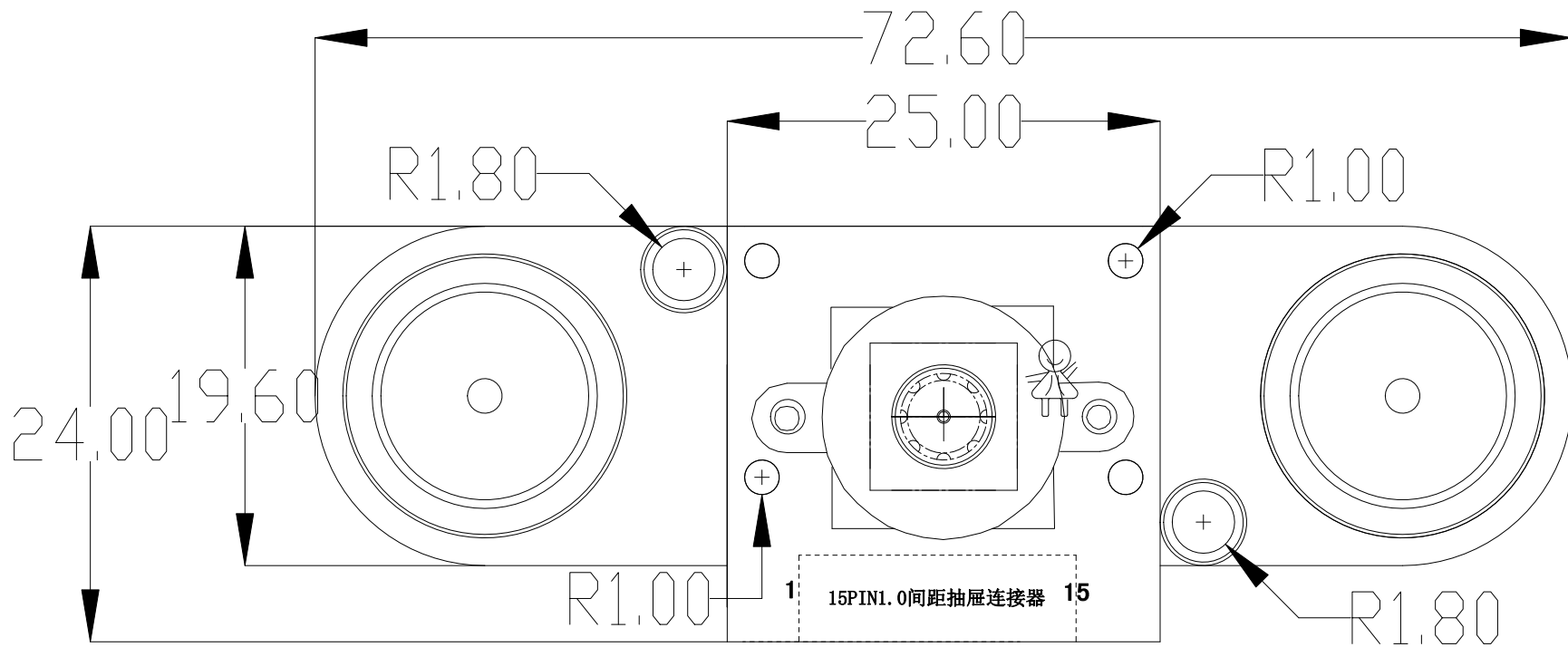
Contact us

Tel: +86-755-8981 8866 Fax: +86-755-8427 6832

Email & Skype: info@chipsmall.com Web: www.chipsmall.com

Address: A1208, Overseas Decoration Building, #122 Zhenhua RD., Futian, Shenzhen, China





Lens Specification

Optical Specification	
MAX IMAGE CIRCLE	φ14
Focal Length	1.85mm
FOV (D)	160°
TV Distortion	<7.6%
F. Number	F2.4

PIN DEFINITION

PIN	SIGNAL	PIN	SIGNAL	PIN	SIGNAL
1	GND	6	CAM1-DP1	11	CAM-GPI0
2	CAM1-DN0	7	GND	12	CAM-CLK
3	CAM1-DP0	8	CAM1-CN	13	SCLO
4	GND	9	CAM1-CP	14	SDA0
5	CAM1-DN1	10	GND	15	AVDD3.3

NOTE:

1 线性尺寸未注公差均为±0.2mm

④	一般公差				TITLE	CMOS Camera Module			SCALE	1:1	PROJ.	☉	
	尺寸范围		容许公差			DRAWING	刘文虎	DATE	17.11.22	Part Name	Raspberry Pi Camera		
③					CHECKED		UNIT	MM	Customer P/N	REV	1.0	QTY	1
②	ANGLE ± 5°				APPROVED		WEIGHT		Material	SHEET	1/1	SIZE	A4
①	初稿		张凤宾	17.11.22									
NO.	更改内容		NAME	DATE									