



Chipsmall Limited consists of a professional team with an average of over 10 year of expertise in the distribution of electronic components. Based in Hongkong, we have already established firm and mutual-benefit business relationships with customers from,Europe,America and south Asia,supplying obsolete and hard-to-find components to meet their specific needs.

With the principle of “Quality Parts,Customers Priority,Honest Operation,and Considerate Service”,our business mainly focus on the distribution of electronic components. Line cards we deal with include Microchip,ALPS,ROHM,Xilinx,Pulse,ON,Everlight and Freescale. Main products comprise IC,Modules,Potentiometer,IC Socket,Relay,Connector.Our parts cover such applications as commercial,industrial, and automotives areas.

We are looking forward to setting up business relationship with you and hope to provide you with the best service and solution. Let us make a better world for our industry!



Contact us

Tel: +86-755-8981 8866 Fax: +86-755-8427 6832

Email & Skype: info@chipsmall.com Web: www.chipsmall.com

Address: A1208, Overseas Decoration Building, #122 Zhenhua RD., Futian, Shenzhen, China



CUSTOMER PRINT

PART NUMBER: CARA16280SXXX90

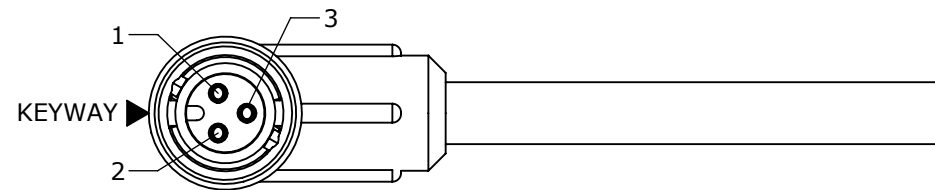
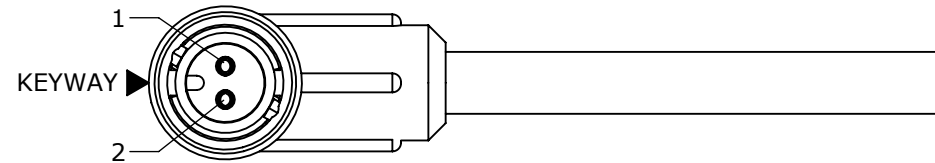
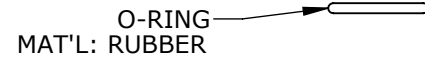
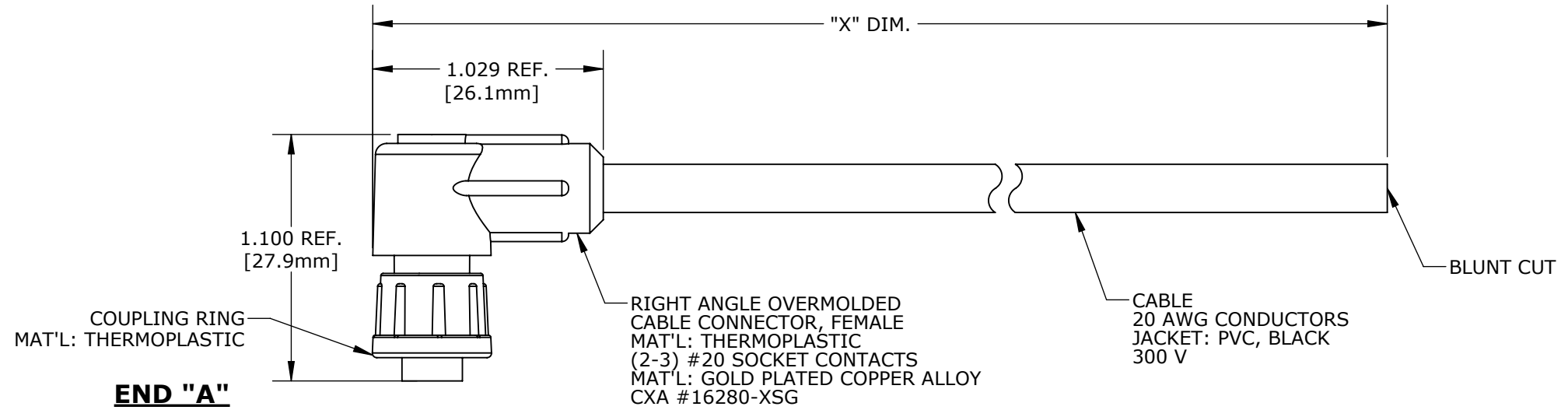
NOTES:

1. FINISHED CABLE ASSEMBLY TO BE COILED
2. OVERMOLD BOOT MATERIAL: PVC, BLACK
3. ELECTRICAL TEST: 100% CONTINUITY

ASS'Y P/N	NO. OF POSITION	"X" DIM.
CARA162802S07990	2 POS.	6 FT. 7 IN. ± 2 IN. [2M]
CARA162803S07990	3 POS.	
CARA16280SXXX90		

CABLE LENGTH IN "INCHES"

NO OF POSITIONS



DIMENSIONS IN BRACKET [] ARE METRIC.

CUSTOMER APPROVAL


THIS DOCUMENT CONTAINS CONFIDENTIAL INFORMATION PROPRIETARY TO CONXALL CORPORATION. ANY REPRODUCTION, DISCLOSURE, OR USE OF THIS DOCUMENT /INFORMATION IS EXPRESSLY PROHIBITED UNLESS AUTHORIZED IN WRITING BY CONXALL CORPORATION.

APPROVED BY: _____

DATE: _____

RoHS COMPLIANT

ASSY P/N	CABLE	COLOR CODE END "A"		
CARA162802SXXX90	2/20 AWG O.D. 0.215 REF	COLOR CODE		
		POS. 1	POS. 2	
		BLK	WHT	
CARA162803SXXX90	3/20 AWG O.D. 0.220 REF	WIRE COLOR CODE		
		POS. 1	POS. 2	POS. 3
		BLK	WHT	GRN

REV.	INIT.	DATE	DESCRIPTION
A	AN	11-07-16	DRAWING CREATED PER DOR 16-7663JP
<small>ALL INFORMATION ILLUSTRATED IS THE PROPERTY OF "CONXALL CORPORATION". UNAUTHORIZED DUPLICATION OR DISTRIBUTION OF THIS DOCUMENT IS PROHIBITED.</small>			<small>ORIG. DRAWN BY: AN</small> <small>DATE: 11-07-16</small>
<small>ALL UNITS ARE IN FEET, INCHES, FRACTION OF INCHES AND DECIMALS.</small>			 <small>601 E. WILDWOOD VILLA PARK, IL 60181</small>
<small>APPROVED BY:</small> _____			<small>TITLE:</small> CABLE ASSEMBLY <small>(2-3) #20 SOCKET CONTACTS MICRO-CON-X, R.ANGLE STANDARD PRODUCT</small>
<small>SCALE</small> NTS		<small>SIZE</small> B	<small>SHEET</small> 1 OF 1
<small>FILE:</small> CARA16280SXXX90		<small>DIRECTORY:</small> SLW	<small>PART NUMBER:</small> CARA16280SXXX90
<small>CRITICAL CHARACTERISTIC FLAG PER SPEC. XXXX</small>			<small>REV</small> A